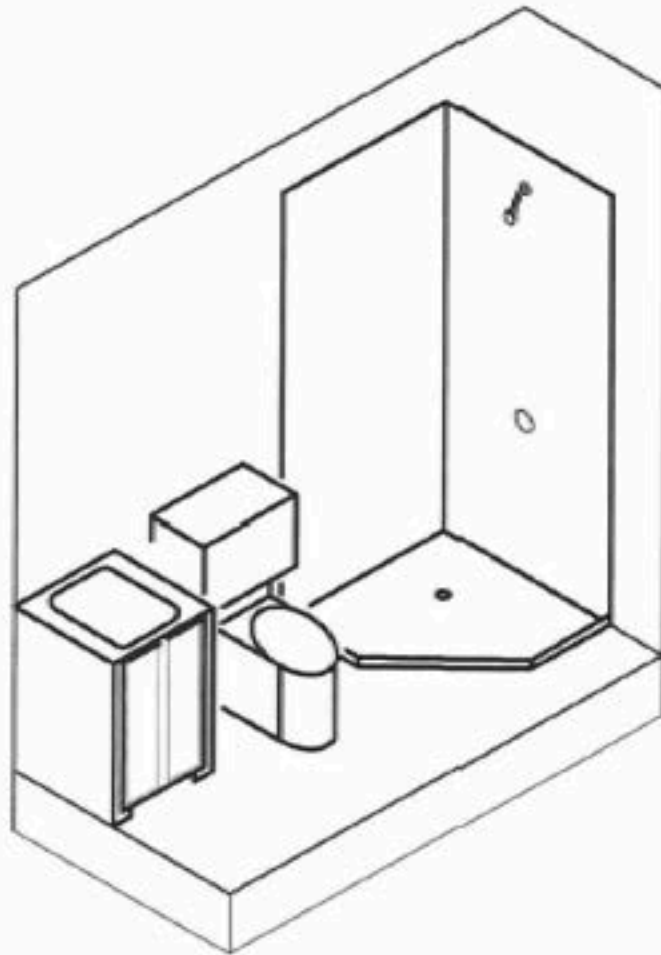




TEST PROJECT / PROJET D'ÉPREUVE

PLUMBING PLOMBERIE

POST-SECONDARY /
NIVEAU POSTSECONDAIRE

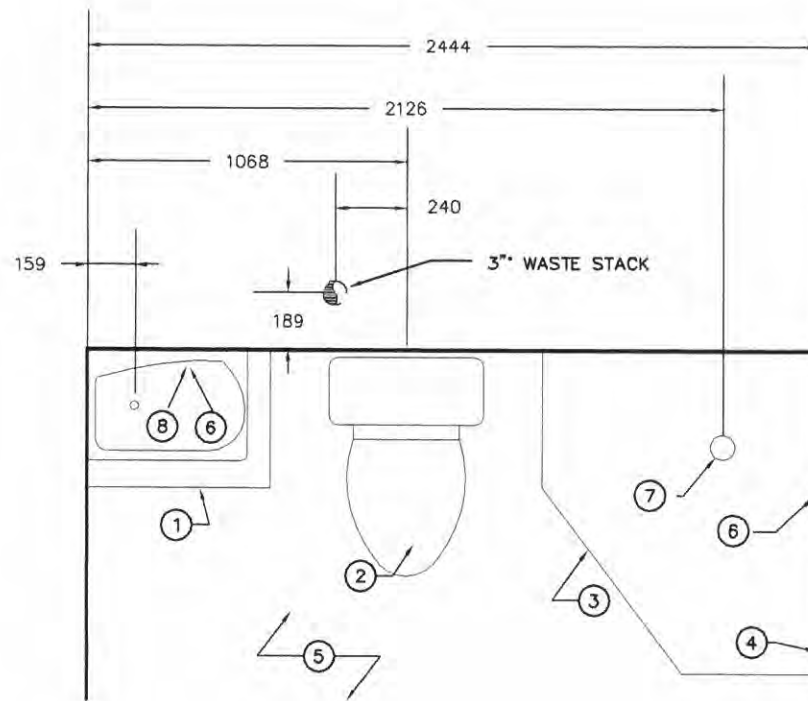


Drawing List

- 1 Bathroom Rough-in Floor Plan
- 2 Unistrut Plan & Elevation
- 3 Sanitary
- 4 Potable Water

Drawing Notes

- ① MINUET LAVATORY
- ② RETROSPECT CHAMPION PRO ROUND FRONT TOILET (AMERICAN STANDARD)
- ③ NEO CORNER SHOWER BASE (AMERICAN STANDARD)
- ④ WALL FINISH
13mm GYPSUM BOARD
3mm MORTAR
6mm CERMIC TILE
- ⑤ FLOOR FINISH
6mm MORTAR
9.5mm CERMIC TILE
- ⑥ POTABLE WATER LINES HOT AND COLD TO BE STUBBED OUT 75mm
- ⑦ INLET ON SHOWER DRAIN TO BE LEVEL WITH FINISHED FLOOR
- ⑧ INLET ON BASIN DRAIN TO BE STUBBED OUT 75mm FROM FINISHED WALL

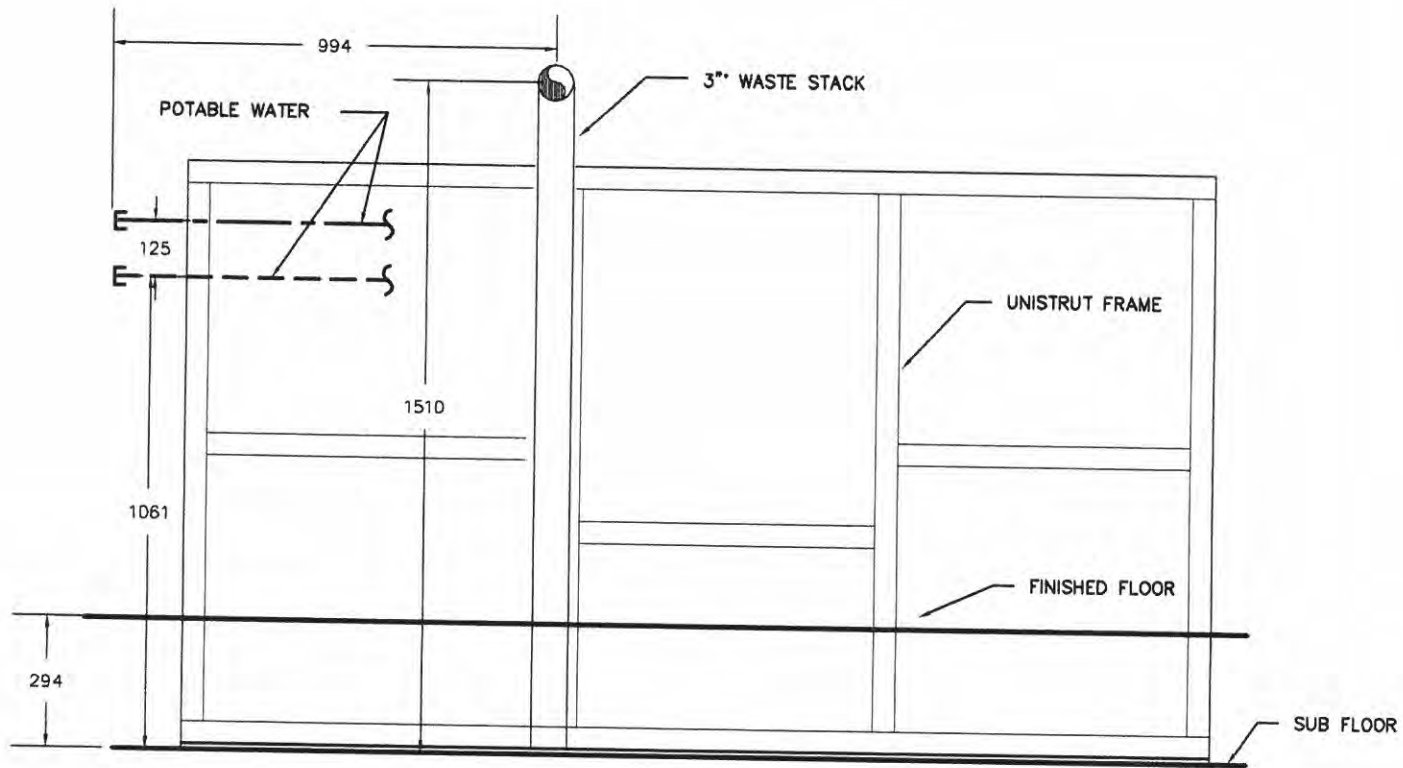


Bathroom Rough-in Floor Plan

Cover Sheet
Bathroom Rough-in
Floor Plan

Skills Canada
BATHROOM
ROUGH-IN

Date	02/02/16
Drafted	Joe Healy
Scale	N.T.S.
Rev	A001



Unistrut Elevation

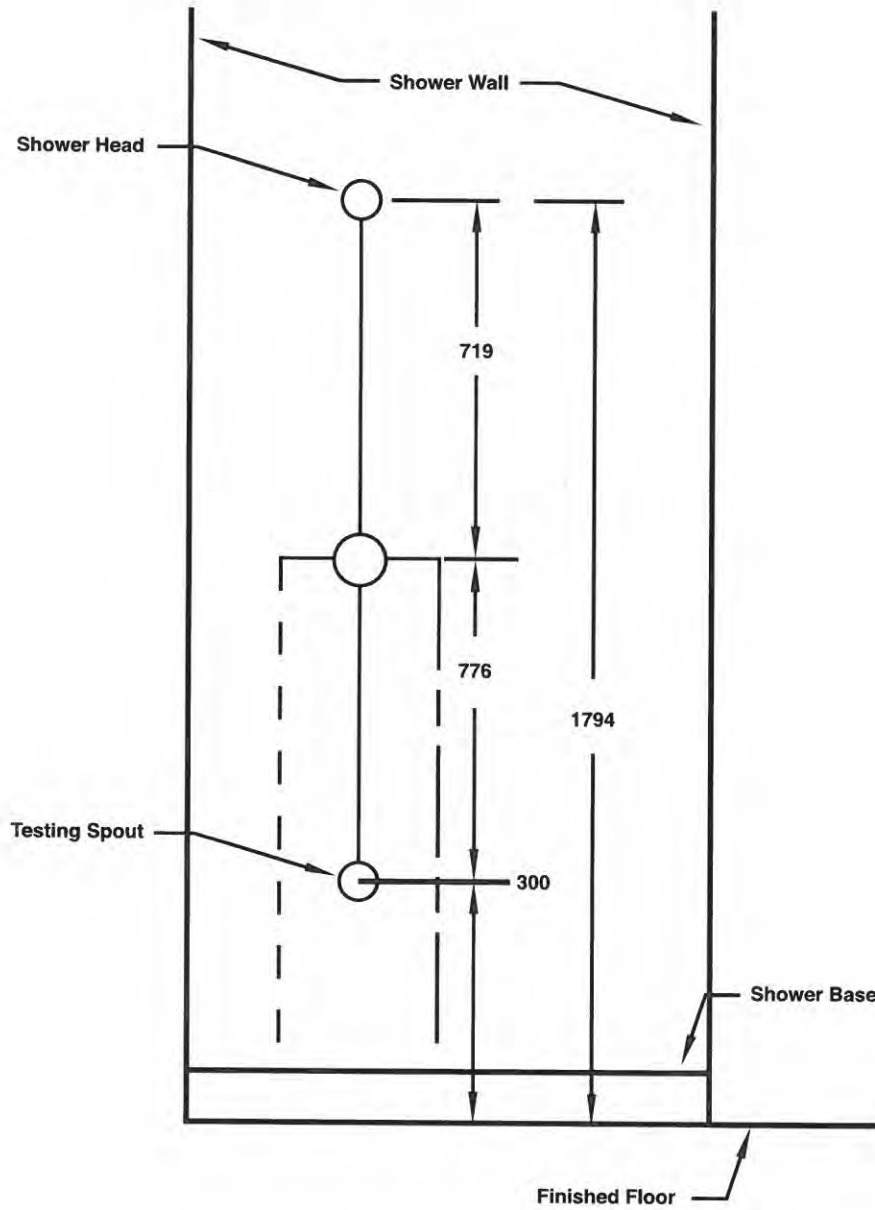
COLD WATER - - - - -
 HOT WATER - - - - -

Cover Sheet
 Bathroom Rough-in
 Floor Plan

Skills Canada
 BATHROOM
 ROUGH-IN

Date 02/02/16
 Drafted Joe Healy
 Scale N.T.S.
 Rev A001

Date
 Drafted
 Scale
 Rev



Shower Installation Detail

Cold ———
 Hot - - - -

Cover Sheet
 Bathroom Rough-in
 Floor Plan

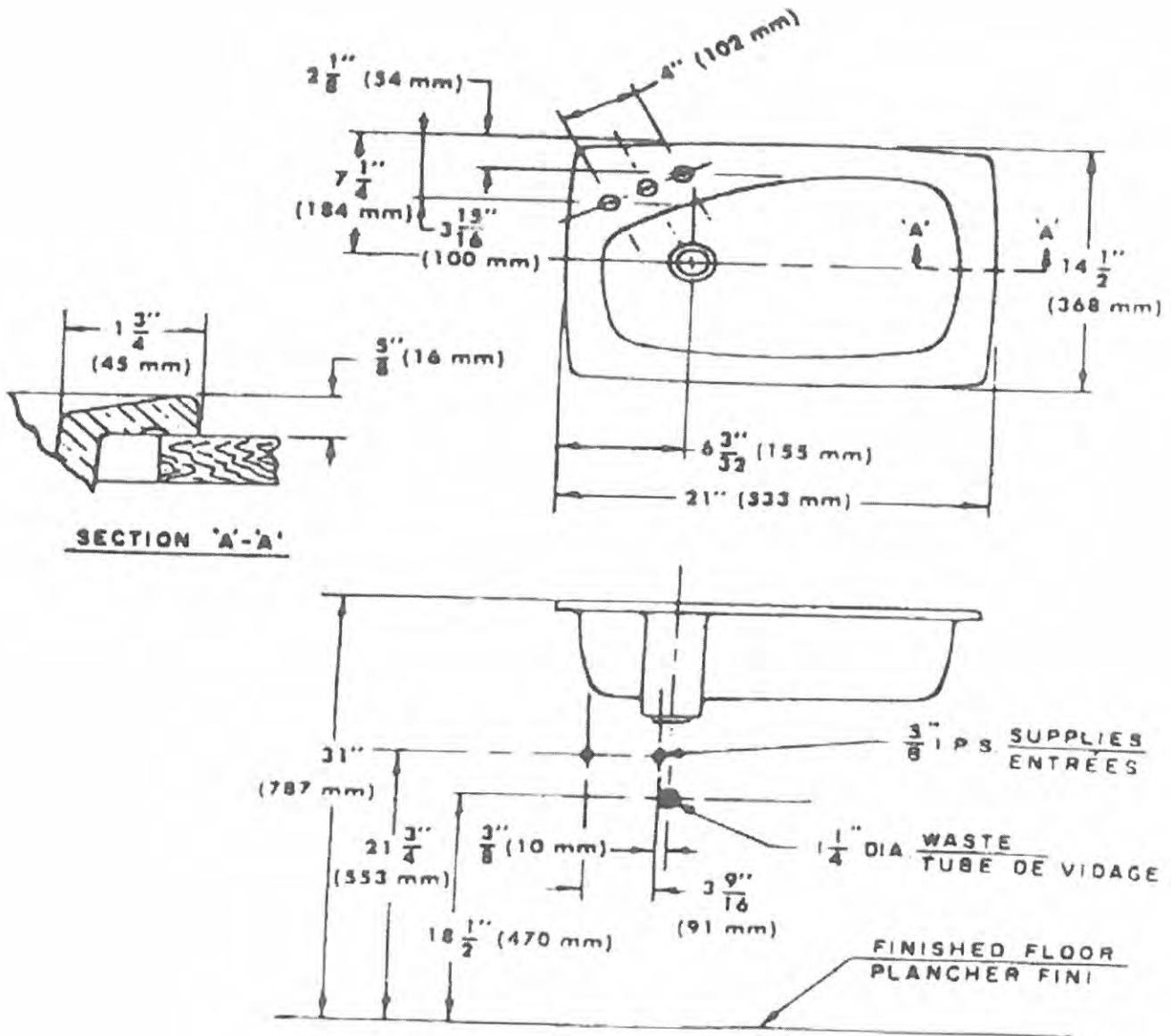
Skills Canada
 BATHROOM
 ROUGH-IN

Date: 02/02/16
 Draft: Joe Healy
 Scale: N.T.S
 Rev: A001

03 of 03



1-351 MINUET COUNTERTOP LAVATORY LAVABO DE COMPTOIR



IMPORTANT: DIMENSIONS MAY VARY PLUS OR MINUS 1/4" OR 7MM AND ARE SUBJECT TO REVISION.



IMPORTANT: LES DIMENSIONS PEUVENT VARIER DE 1/4" OU 7MM PLUS OU MOINS, ET SONT SUJETTES À RÉVISION.

**YORKVILLE FloWise™ RIGHT HEIGHT™
ELONGATED PRESSURE-ASSISTED TOILET
1.1 gpf/ 4.2 Lpf**

- 2878.100**
 - Vitreous china
 - **Floor-mounted, back-outlet toilet**
 - High Efficiency, Ultra Low-consumption (1.1 gpf/4.2 Lpf)
 - EverClean® surface inhibits the growth of stain and odor-causing bacteria, mold, and mildew on the surface
 - Meets EPA WaterSense® criteria
 - Elongated 16-1/2" high bowl rim for accessible applications
 - Pressure-assisted siphon jet flush action
 - Fully-glazed 2-1/8" trapway
 - 10 x 12" water surface area
 - Close-coupled Flushometer tank*
 - Metal chrome trip lever
 - Speed Connect® tank/bowl coupling system
 - Sanitary dam on bowl
 - 4 bolt caps
 - 100% factory flush tested

- 3703.100** Elongated 16-1/2" high bowl with 4 bolt caps
- 3703.001** Same as above, Universal Bowl
- 4142.100** Flushometer tank complete with coupling components

Nominal Dimensions:

752 x 516 x 780mm (29-3/4" x 20-1/2" x 30-3/4")

Fixture only, seat and supply by others
Recommended working pressure range
25 psi - 80 psi

Alternate Configurations Available:

- 4142.601** Tank and tank cover only with tank cover locking device
- 4142.801** Tank and tank cover only with right hand trip lever
- 4142.901** Tank complete with right hand trip lever and tank cover locking device

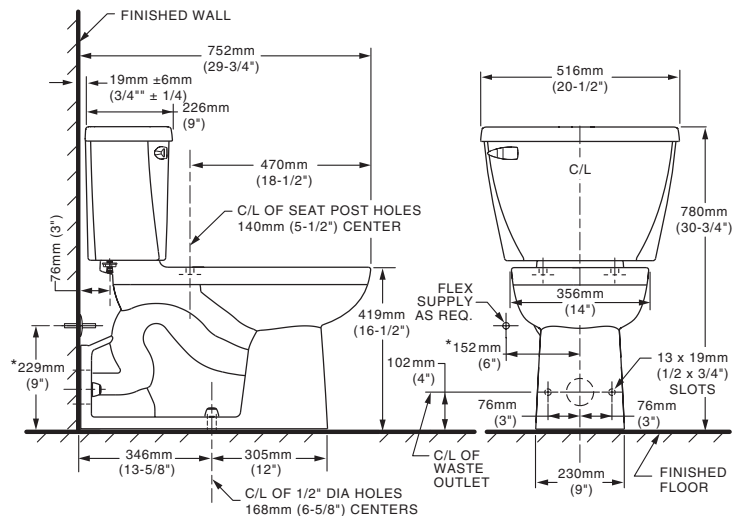
Compliance Certifications -

Meets or Exceeds the Following Specifications:

- ASME A112.19.2-2008/CSA B45.1-08 for Vitreous China Fixtures
- US EPA WaterSense® Specification for HET's

To Be Specified:

- Color: White Bone Linen Black
- Seat: American Standard #5324.019 "Rise and Shine" (with easy to clean lift-off hinge system) solid plastic closed front seat with cover.
- American Standard #5321.110 EverClean® seat with Slow Close snap-off hinges.
- Alternate Seat:
- Supply with Stop:



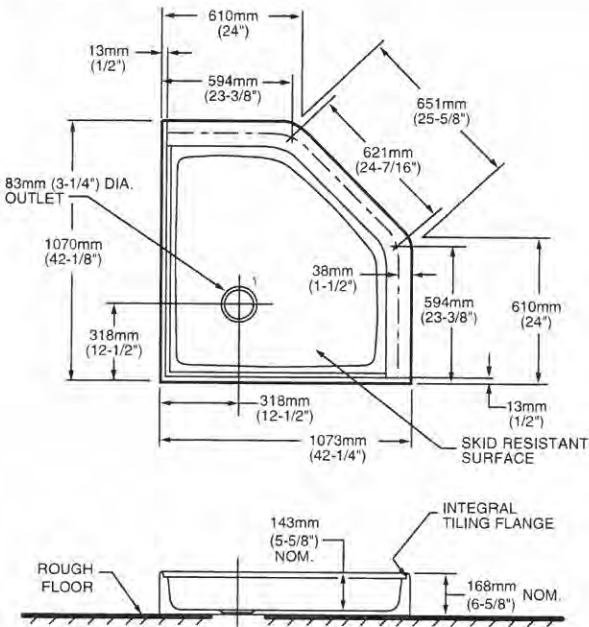
NOTES:
WASTE OUTLET SEAL RING MUST BE NEOPRENE OR GRAPHITE-FELT (WAX RING NOT RECOMMENDED). SUPPLY NOT INCLUDED WITH FIXTURE AND MUST BE ORDERED SEPARATELY.
DISTANCE FROM FLOOR TO CLOSET FLANGE CENTERLINE (ROUGH-IN) MUST BE 4" (102 MM) WITH FLANGE SURFACE FLUSH TO 1/16" (1.5MM) MAX. BEYOND FINISHED WALL.
* DIMENSION SHOWN FOR LOCATION OF SUPPLY IS SUGGESTED.
FOR ADDITIONAL INFORMATION REFER TO INSTALLATION INSTRUCTIONS SUPPLIED.

IMPORTANT: Dimensions of fixtures are nominal and may vary within the range of tolerances established by ASME A112.19.2-2008 / CSH B45.1-08. These measurements are subject to change or cancellation. No responsibility is assumed for use of superseded or voided pages.

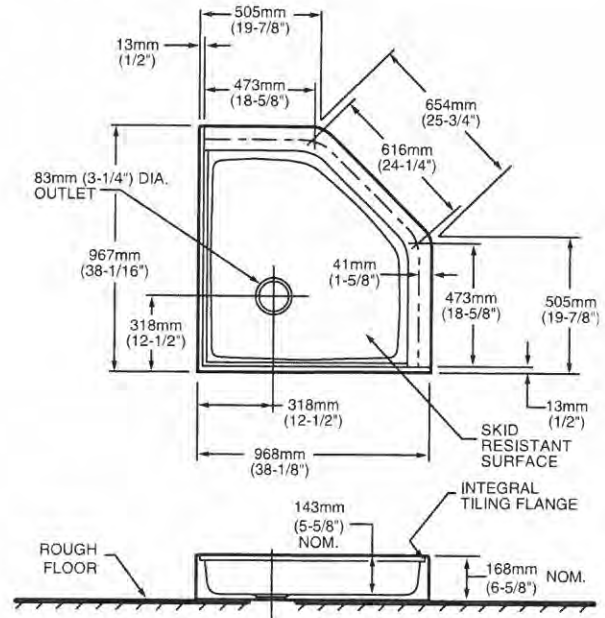


MEETS THE AMERICANS WITH DISABILITIES ACT GUIDELINES AND ANSI A117.1 REQUIREMENTS FOR ACCESSIBLE AND USABLE BUILDING FACILITIES - CHECK LOCAL CODES.

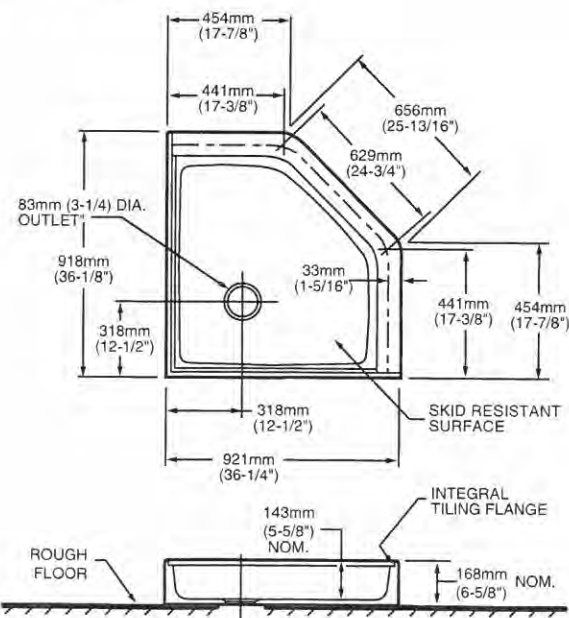
4242.NEO



3838.NEO



3636.NEO



GENERAL SPECIFICATIONS FOR 4242.NEO SHOWER BASE

INSTALLED SIZE _____ 1073mm X 1070mm X 168mm
(42-1/4 X 42-1/8 X 6-5/8 IN.)
WEIGHT _____ 31 Kg. (68 LBS.)
WEIGHT w/WATER _____ 129 Kg. (285 LBS.)
SHOWER WELL AT SUMP _____ 826mm X 826mm (32-1/2 X 32-1/2 IN.)
SHOWER WELL AT RIM _____ 914mm X 914mm (36 X 36 IN.)
FLOOR LOADING _____ 124 Kgs/Sq. m. (25 LBS./SQ. FT.)
(PROJECTED AREA)

GENERAL SPECIFICATIONS FOR 3838.NEO SHOWER BASE

INSTALLED SIZE _____ 968mm X 967mm X 168mm
(38-1/8 X 38-1/16 X 6-5/8 IN.)
WEIGHT _____ 25 Kg. (54 LBS.)
WEIGHT w/WATER _____ 74 Kg. (162 LBS.)
SHOWER WELL AT SUMP _____ 762mm X 762mm (30 X 30 IN.)
SHOWER WELL AT RIM _____ 826mm X 826mm (32-1/2 X 32-1/2 IN.)
FLOOR LOADING _____ 89 Kgs/Sq. m. (18 LBS./SQ. FT.)
(PROJECTED AREA)

GENERAL SPECIFICATIONS FOR 3636.NEO SHOWER BASE

INSTALLED SIZE _____ 921 x 918 x 168mm (36-1/4" x 36-1/8" x 6-5/8")
WEIGHT _____ 30 Kg. (66 LBS.)
WEIGHT w/WATER _____ 70 Kg. (156 LBS.)
SHOWER WELL AT SUMP _____ 727mm X 727mm (28-5/8 X 28-5/8 IN.)
SHOWER WELL AT RIM _____ 787mm X 787mm (31 X 31 IN.)
FLOOR LOADING _____ 83 Kgs/Sq. m. (17 LBS./SQ. FT.)
(PROJECTED AREA)