



SCNC
2018

SCNC
SKILLS CANADA
NATIONAL COMPETITION

OCMT
OLYMPIADES CANADIENNES
DES MÉTIERS ET
DES TECHNOLOGIES


SkillsCompétences
Canada
Edmonton2018

TEST PROJECT A / PROJET D'ÉPREUVE A

AUTOBODY REPAIR

CARROSSERIE

SECONDARY AND POST-SECONDARY /
NIVEAU SECONDAIRE ET POSTSECONDAIRE



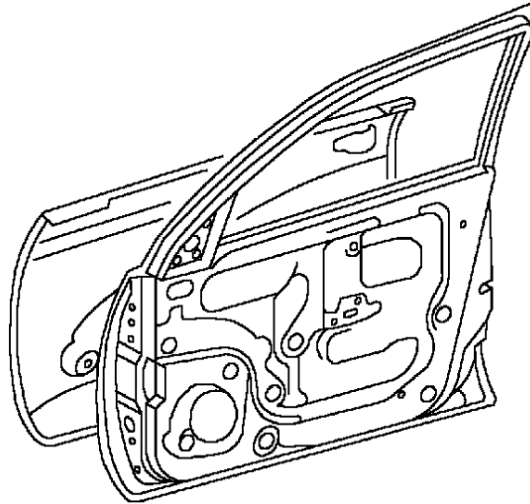
DOOR SHELL REPAIR TASK SHEET Duration of project: 3 hours

Read all instructions before beginning.

Part 1, inner door frame

1.1 Competitor is required to rough out the door frame to its proper contour. **STOP**

1.2 Grind off hem flange and remove door skin. **STOP**



Part 2, hem flange

2.1 Remove sealer and bonding materials as required and prepare all surfaces for welding and bonding adhesive. **STOP**

Part 3, door skin

3.1 Perform final rough out to proper contours and test fit door skin and prepare mating surfaces.

3.2 Apply adhesive per 3M procedures

Part 4,

4.1 Install and align door skin. Reattach and apply proper adhesive on crash beam. Hammer and dolly hem flange. **STOP**

4.2 Perform MIG welding of the door skin to window frame joint. **STOP**

4.3 Metal finish the door panel in preparation for primer surface. **STOP**



DOCUMENT USE