



2018

SCNC

SKILLS CANADA
NATIONAL COMPETITION

OCMT

OLYMPIADES CANADIENNES
DES MÉTIERS ET
DES TECHNOLOGIES

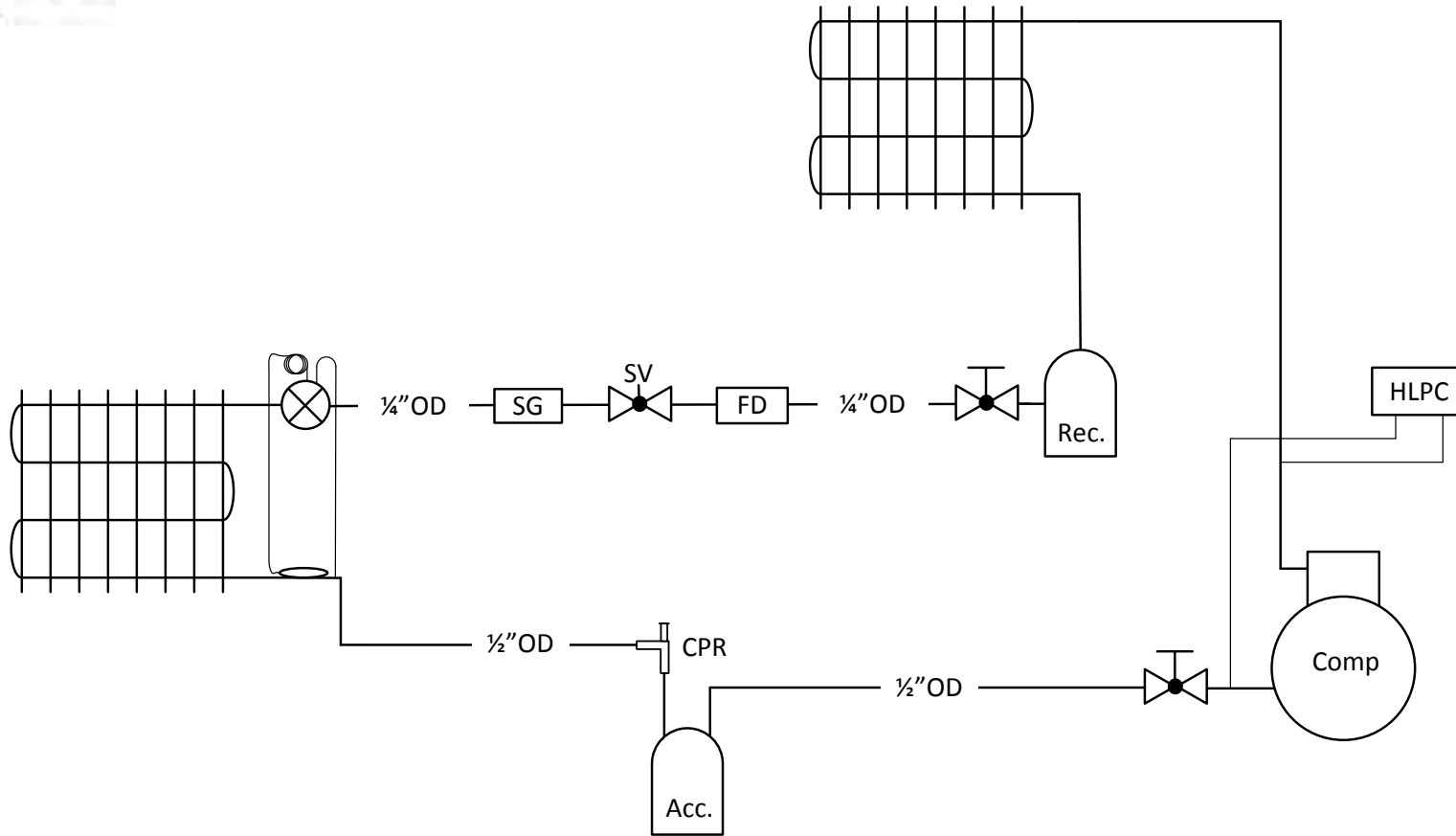

SkillsCompétences
Canada
Edmonton2018

TEST PROJECT / PROJET D'ÉPREUVE

REFRIGERATION AND AIR CONDITIONING RÉFRIGÉRATION ET CLIMATISATION

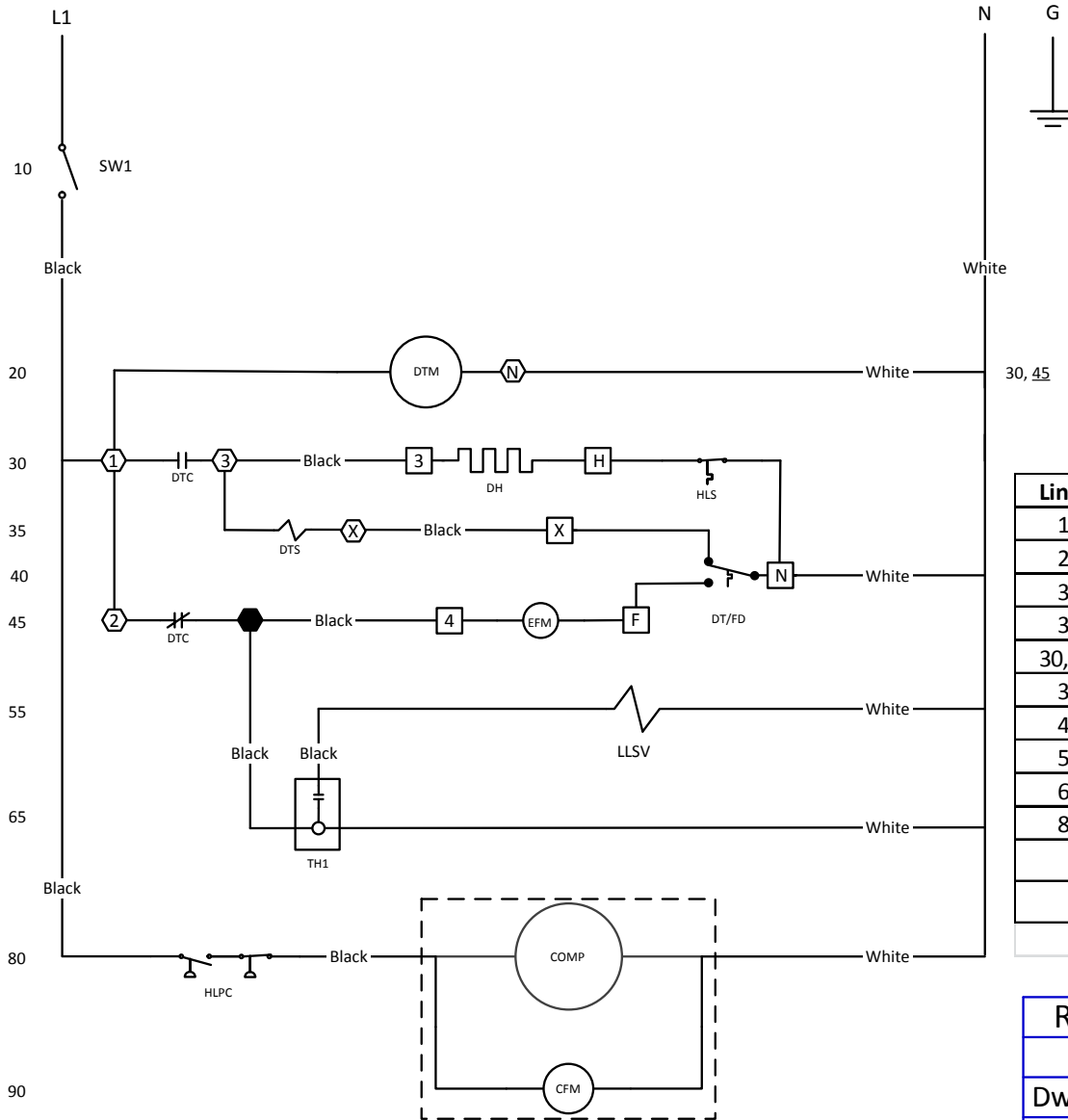
POST - SECONDARY /
NIVEAUX POSTSECONDAIRE





Refrigeration (38)	
Dwg. No: 001A	Piping Schematic
M.Buss	





Line #	ID	Component
10	SW1	Disconnect Switch
20	DTM	8145-00 Defrost Timer Motor
30	DH	Defrost Heater
30	HLS	High Limit Switch
30, 45	DTC	Defrost Timer Contact
35	DTS	Defrost Term. Solenoid
40	DT/FD	Defrost Term/Fan Delay Control
55	LLSV	Liquid Line Solenoid Valve
65	TH1	16E09 Box Thermostat
80	HLPC	High/Low Pressure Control
	(N)	Evaporator Terminal
	(N)	Defrost Timer Terminal

Refrigeration (38)

Dwg. No: 002A

Electrical Schematic

M.Buss

