

SKILLS/COMPETENCE
CANADA

NATIONAL
COMPETITION 2019

HALIFAX NS

TRADE 24

CABINETMAKING

COMPETITION
PROJECT

**NORDIC HERBAL
INFUSION BEVERAGE
PREPARATION POD**

**TOP, FRONT
& RIGHT SIDE
VIEWS**

NOTE:

FANCY VENEER MATCH
ON DOOR IS FOR
POST-SECONDARY
COMPETITORS ONLY

SCALE

1:5

DATE

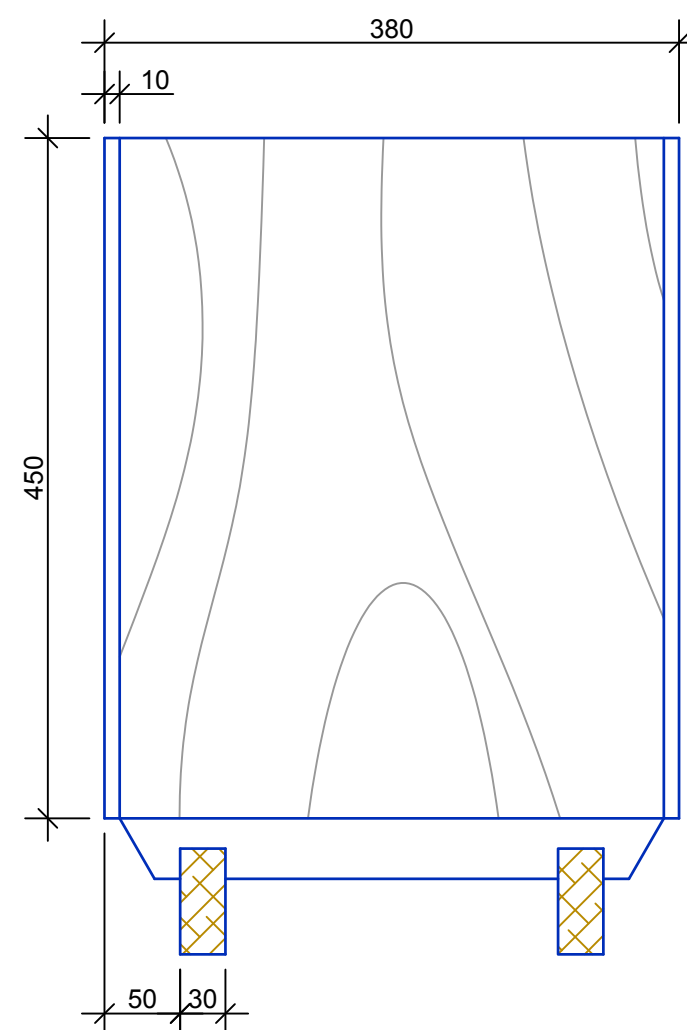
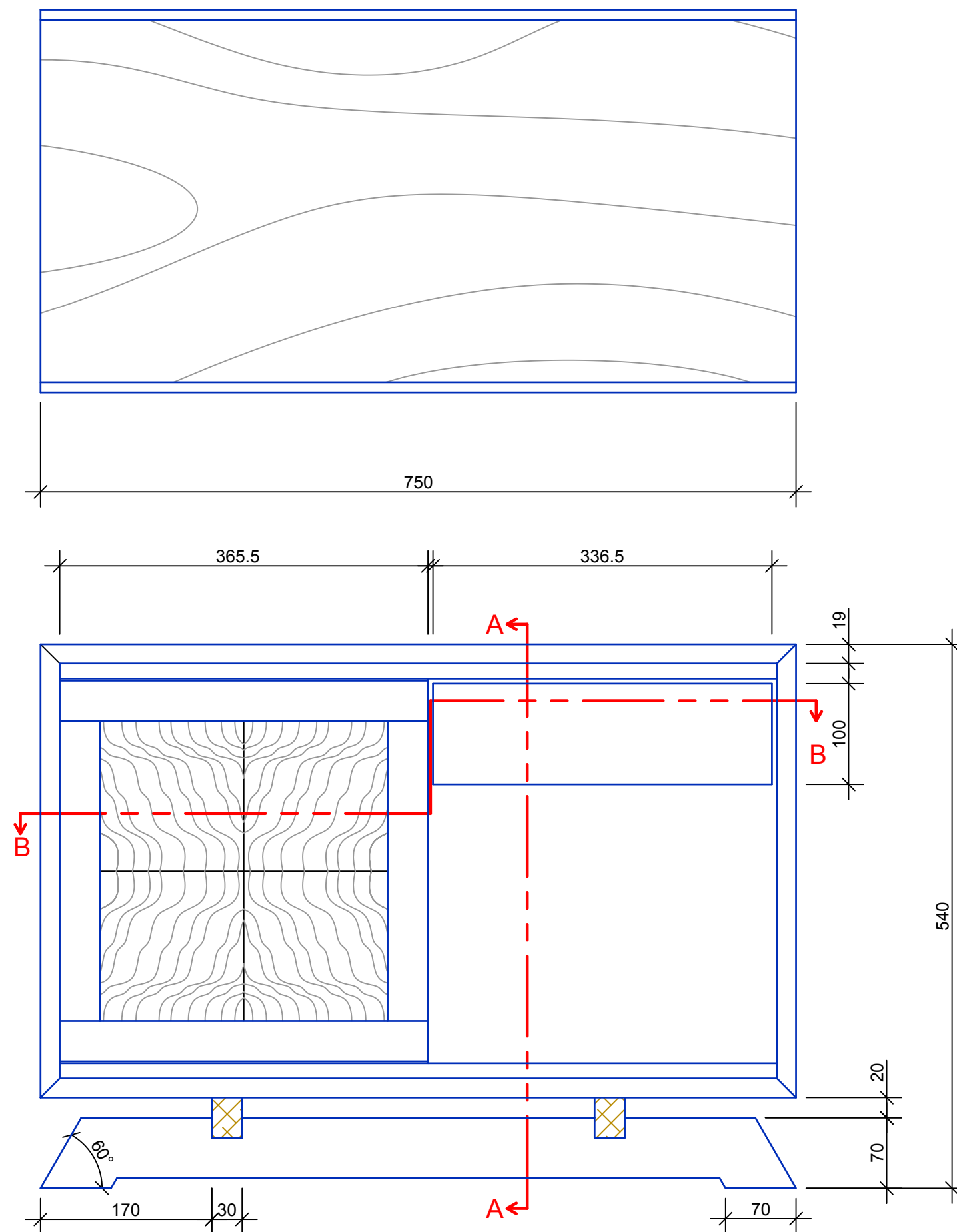
OCTOBER 14,
2018

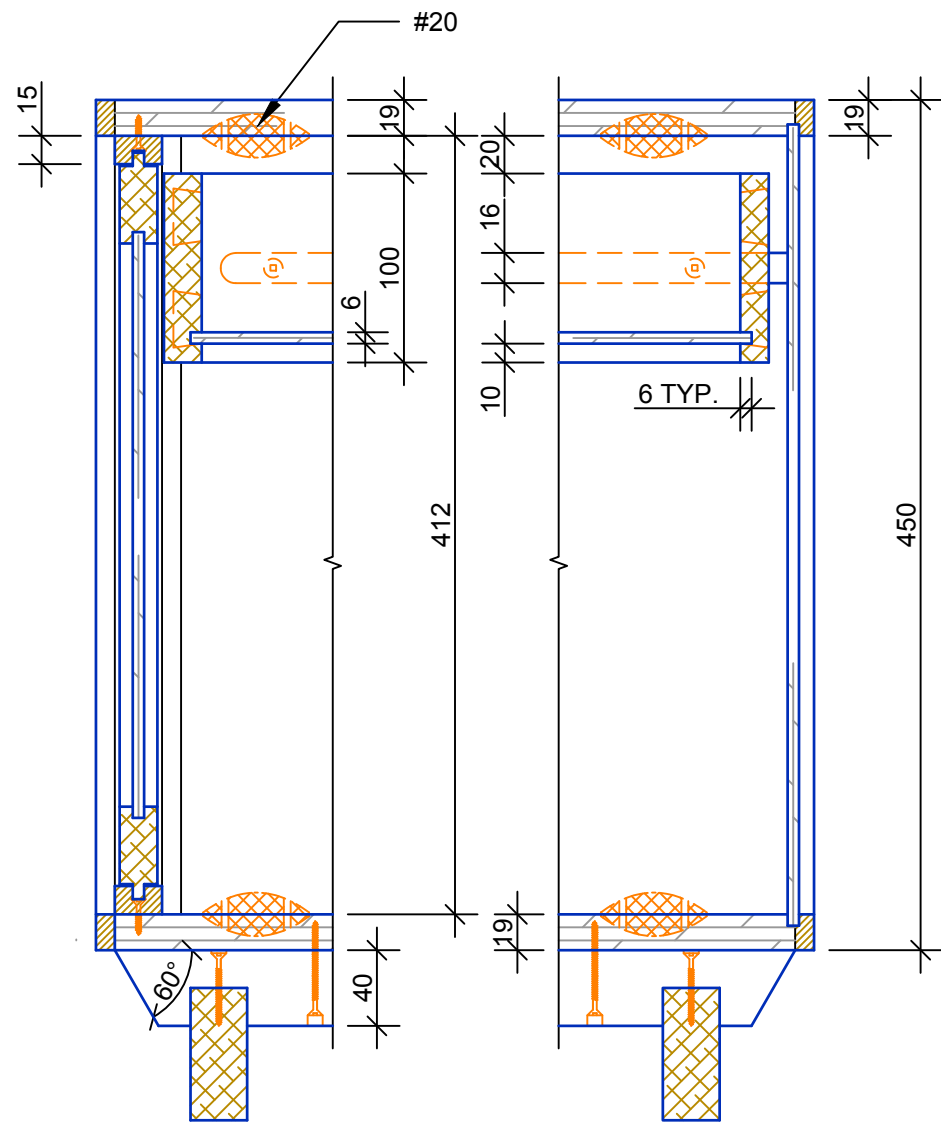
DRAWN BY:

DIRK
MCQUIGLEY

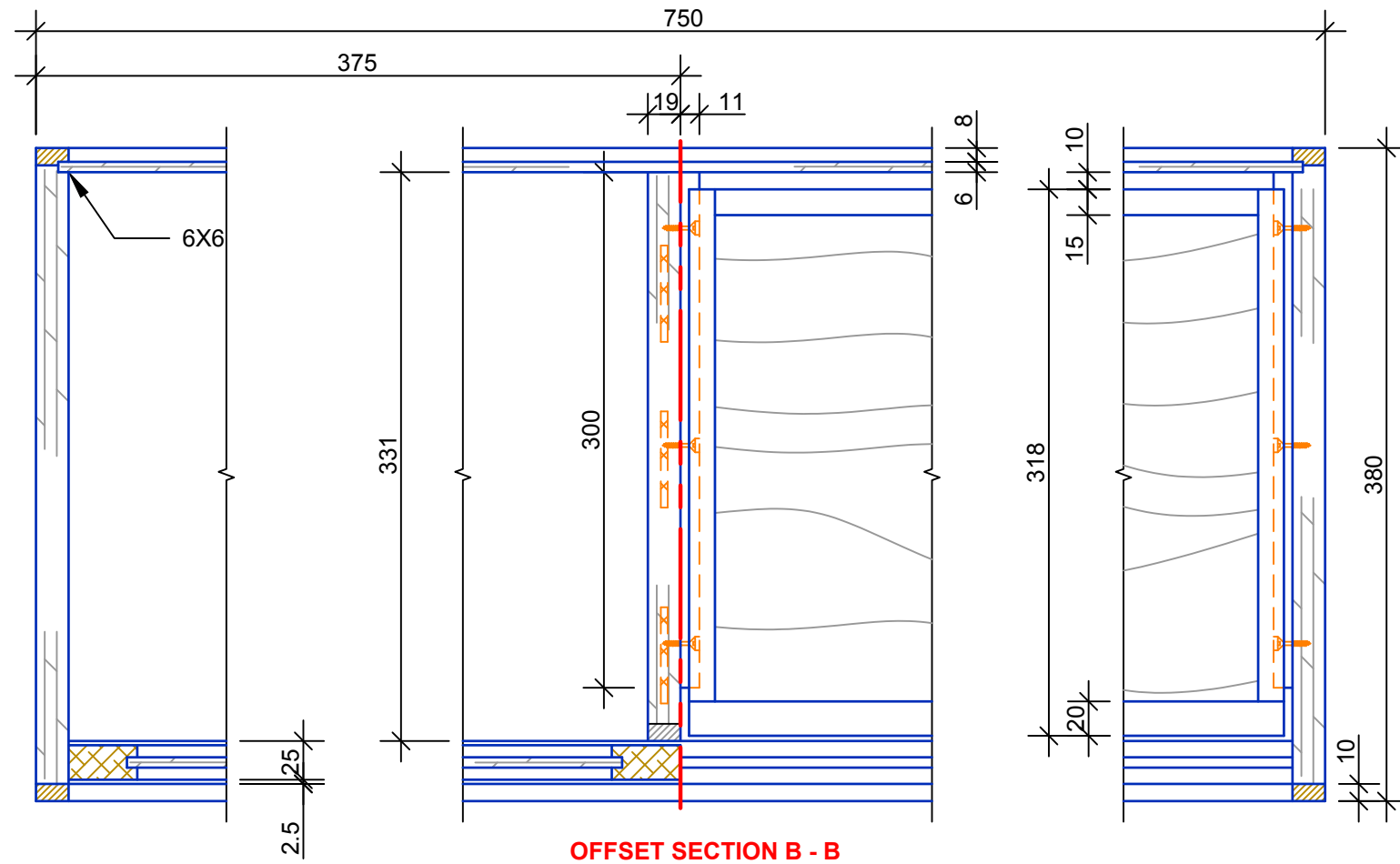
NOTES TO COMPETITOR

- CASE IS HARDWOOD PLYWOOD WITH 10mm SOLID EDGE BANDING FRONT AND BACK, ALSO ON DIVIDER FRONT EDGE
- CORNERS OF CASE ARE MITRED
- CENTRAL DIVIDER SECURED WITH # 20 BISCUITS
- DOOR SLIDES IN SOLID HARDWOOD TRACK SECURED WITH SCREWS
- DRAWER HAS 5mm GAP ON SIDES AND TOP
- TRESTLE BASE IS NOTCHED ON THE TOP EDGE OF LONG PIECES TO RECEIVE CROSS BARS, SECURED WITH SCREWS
- TRESTLE IS SECURED TO CASE WITH SCREWS

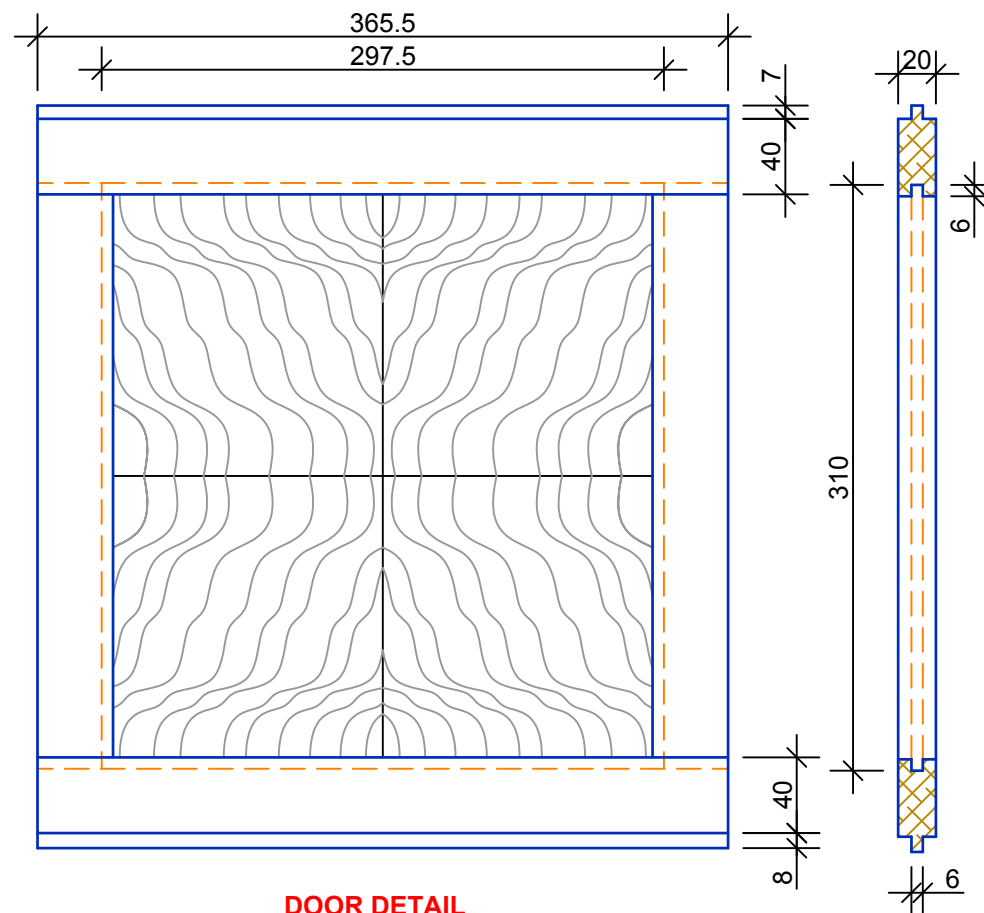




SECTION A - A



OFFSET SECTION B - B



DOOR DETAIL

NOTES TO COMPETITOR

- DRAWER HAS LAP DOVETAILS IN THE FRONT AND THROUGH DOVETAILS IN THE BACK
- ALL DOVETAILS 15 LONG
- 1:7 OR 1:8 SLOPE IS ACCEPTABLE FOR DOVETAILS
- DOVETAIL SPACING IS UP TO COMPETITOR
- 2 DOVETAILS PER CORNER
- ALL DOVETAIL WORK BY HAND
- 6MM DRAWER BOTTOM IS CAPTIVE IN 6 X 6 GROOVE ALL AROUND
- DOOR, DRAWER, AND TRESTLE JOINTS MUST BE HANDED IN **BEFORE** ASSEMBLY FOR MARKING
- DRAWER IS WOOD GUIDED
- GROOVE IN SIDE OF DRAWER AND GUIDE LIMITS TRAVEL OF DRAWER

SKILLS/COMPÉTENCE
CANADA

NATIONAL
COMPETITION 2019

HALIFAX NS

TRADE 24

CABINETMAKING

COMPETITION
PROJECT

NORDIC HERBAL
INFUSION BEVERAGE
PREPARATION POD

SECTIONS
AND
DOOR DETAILS

NOTE:
FANCY VENEER MATCH
ON DOOR IS FOR
POST- SECONDARY
COMPETITORS ONLY

SCALE

1:4

DATE

OCTOBER 14,
2018

DRAWN BY:

DIRK
MCQUIGLEY