

General Notes

FOR EDUCATIONAL PURPOSE ONLY

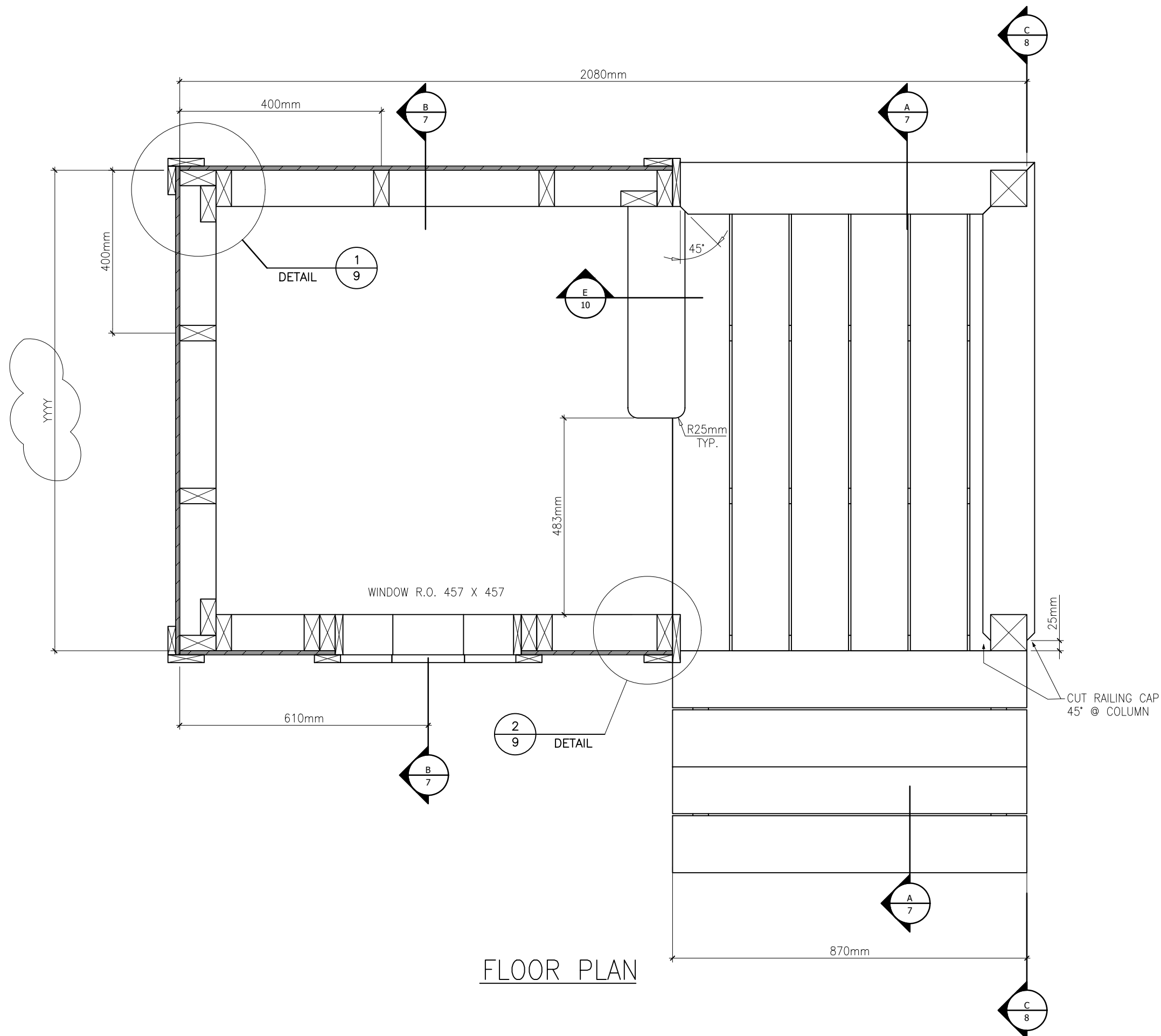
- 1) ALL FASTENING TO BE IN ACCORDANCE WITH THE NBC.
- 2) DECKING AND STAIR TREADS ATTACHED WITH SCREWS.

No.	Revision/Issue	Date



PLAYHOUSE
2019

Drawing	ISOMETRIC	Sheet	1
Date	MAY '19		
Scale	1:15		



FLOOR PLAN

General Notes

FOR EDUCATIONAL PURPOSE ONLY

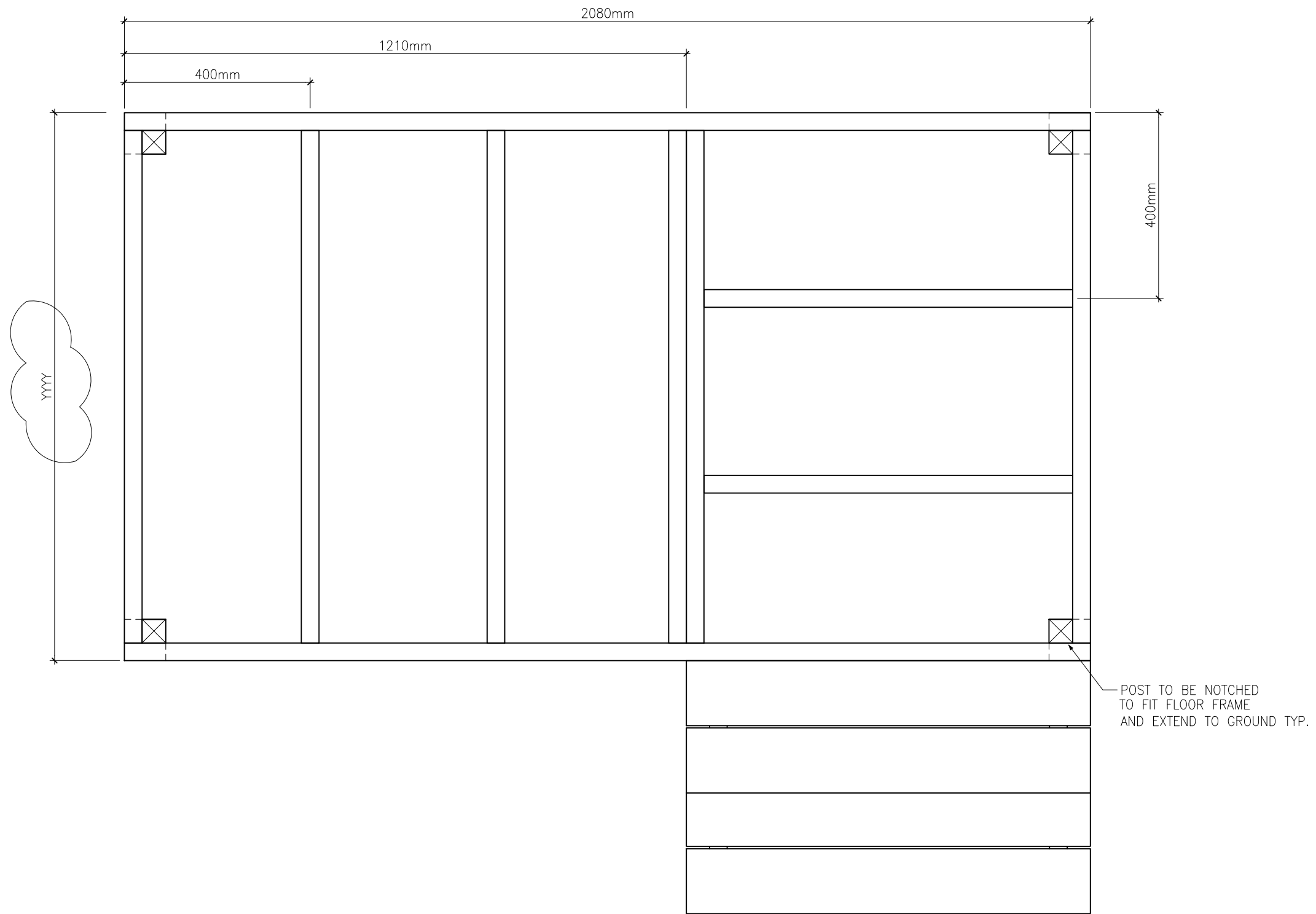
- 1) ALL FASTENING TO BE IN ACCORDANCE WITH THE NBC.
- 2) DECKING AND STAIR TREADS ATTACHED WITH SCREWS.

No.	Revision/Issue	Date



PLAYHOUSE
2019

Drawing	FLOOR PLAN	Sheet	2
Date	MAY '19		
Scale	1:10		



FLOOR FRAMING PLAN

General Notes

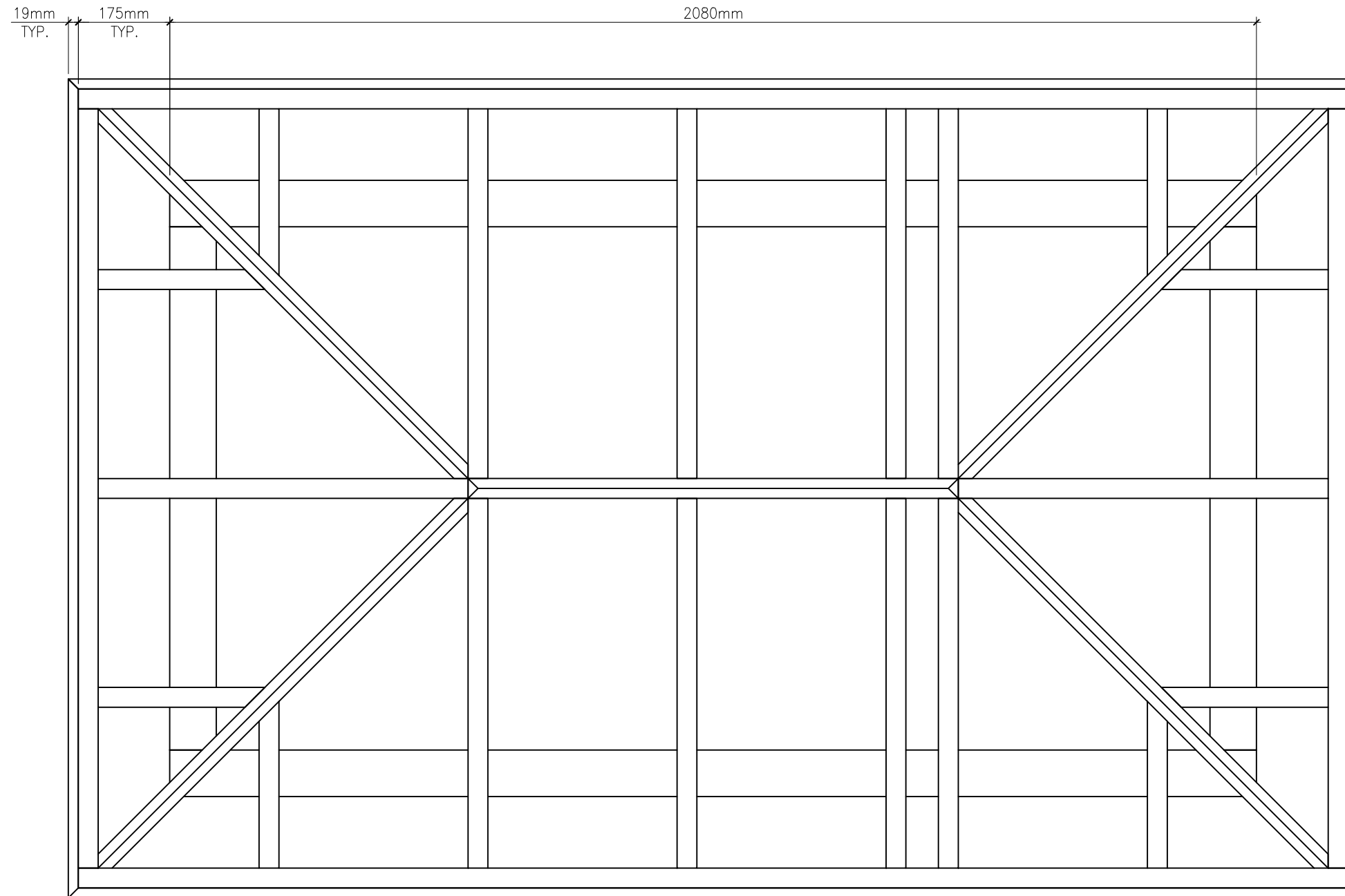
FOR EDUCATIONAL PURPOSE ONLY

No.	Revision/Issue	Date



PLAYHOUSE
2019

Drawing FLOOR FRAMING PLAN	Sheet 3
Date MAY '19	
Scale 1:10	



ROOF FRAMING PLAN

General Notes

FOR EDUCATIONAL PURPOSE ONLY

No.	Revision/Issue	Date



PLAYHOUSE
2019

Drawing	ROOF FRAMING PLAN	Sheet	4
Date	MAY '19		
Scale	1:10		

General Notes

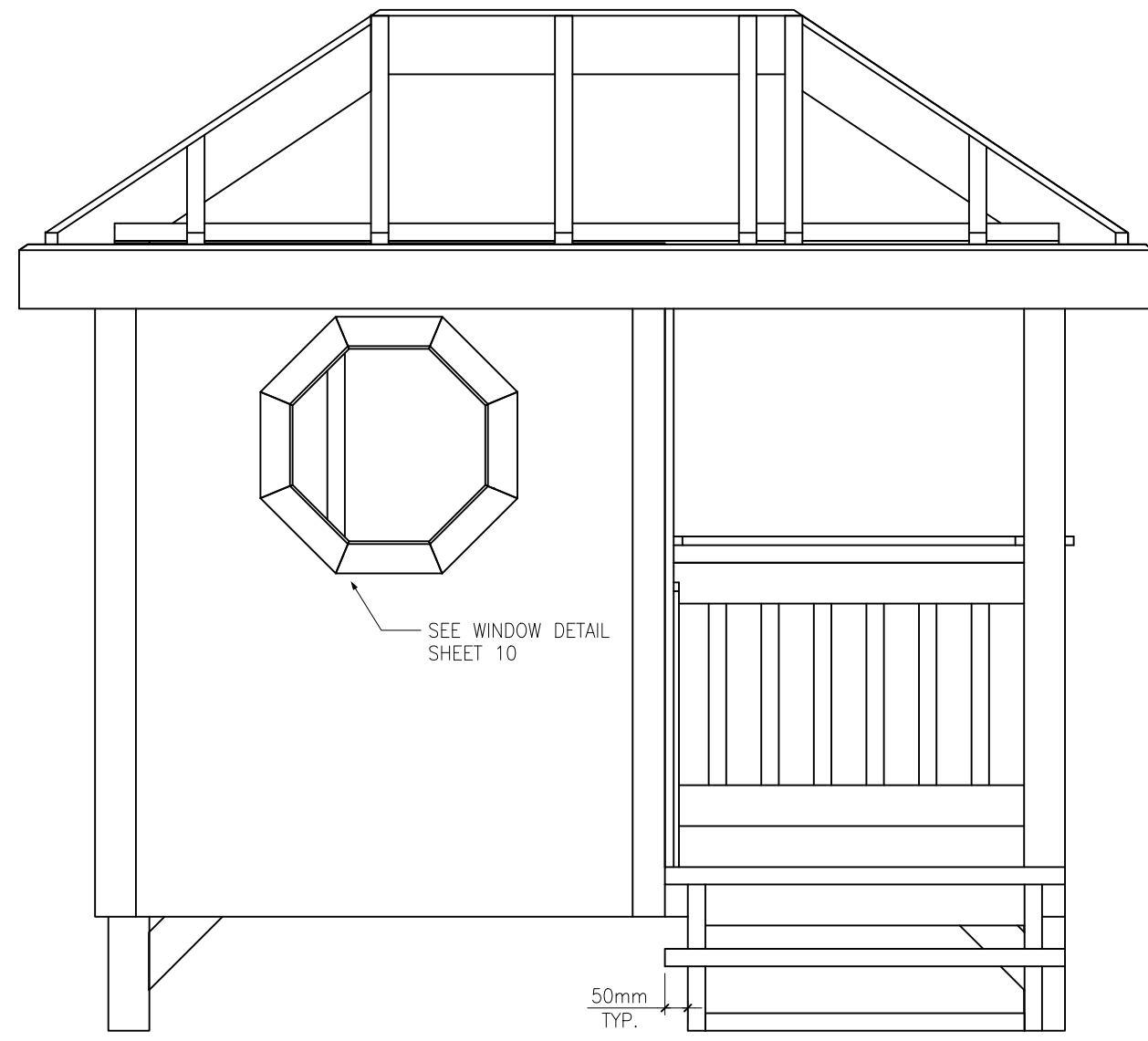
FOR EDUCATIONAL PURPOSE ONLY

No.	Revision/Issue	Date

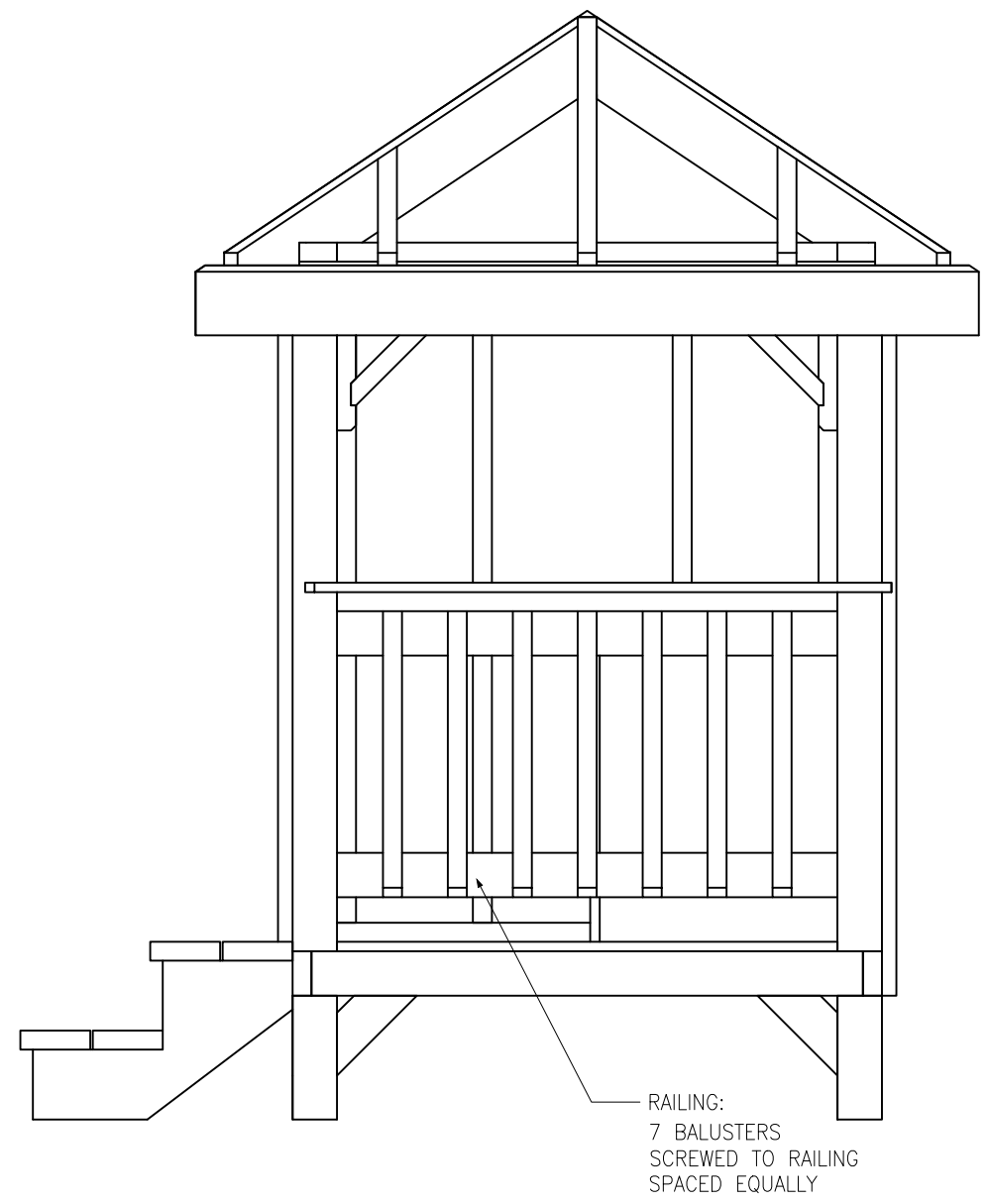


PLAYHOUSE
2019

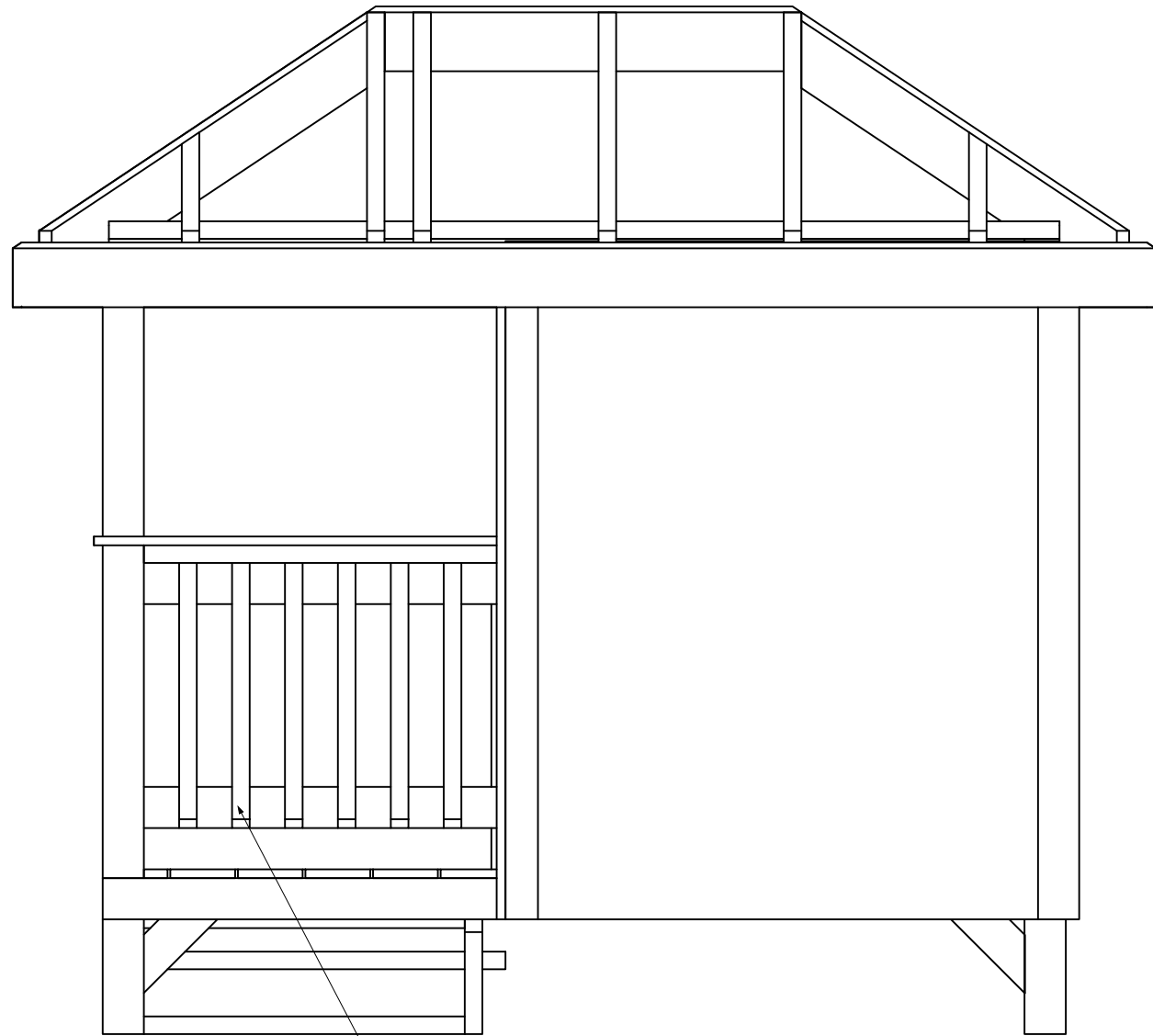
Drawing	ELEVATIONS	Sheet
Date	MAY '19	5
Scale	1:15	



LEFT ELEVATION

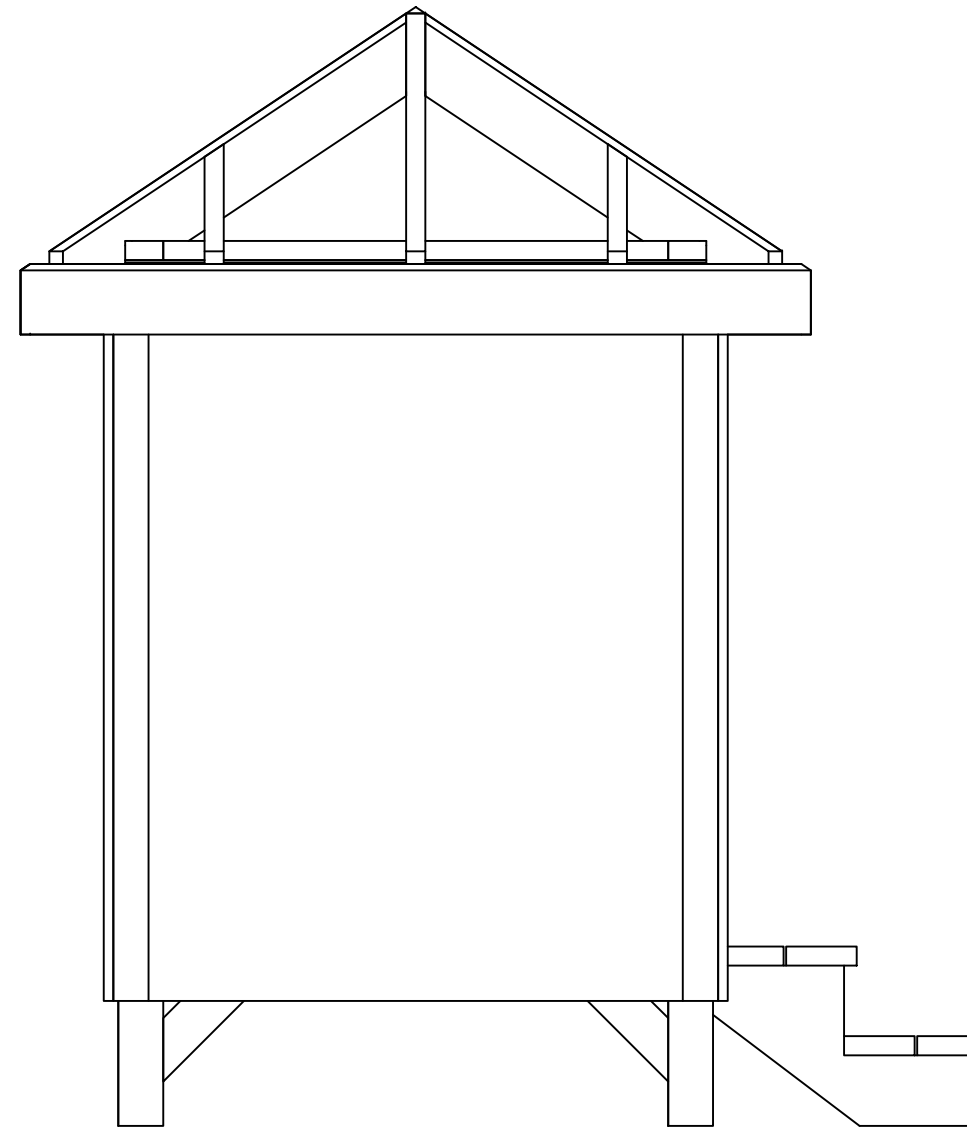


FRONT ELEVATION



RAILING:
6 BALUSTERS
SCREWED TO RAILING
SPACED EQUALLY

RIGHT ELEVATION



REAR ELEVATION

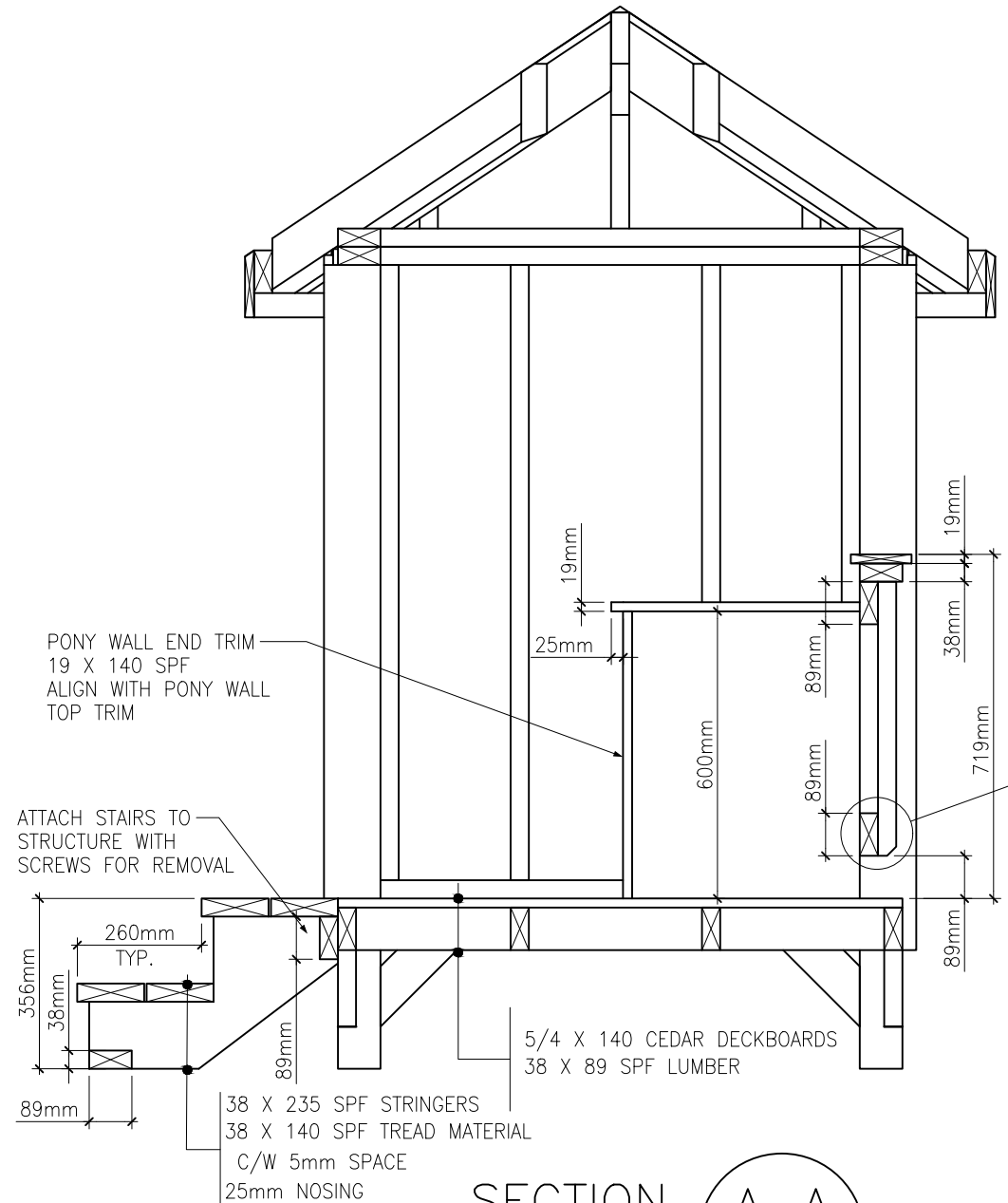
General Notes
FOR EDUCATIONAL PURPOSE ONLY

No.	Revision/Issue	Date

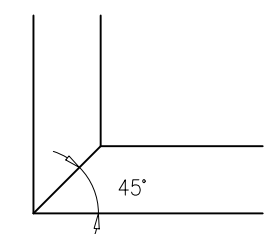


PLAYHOUSE
2019

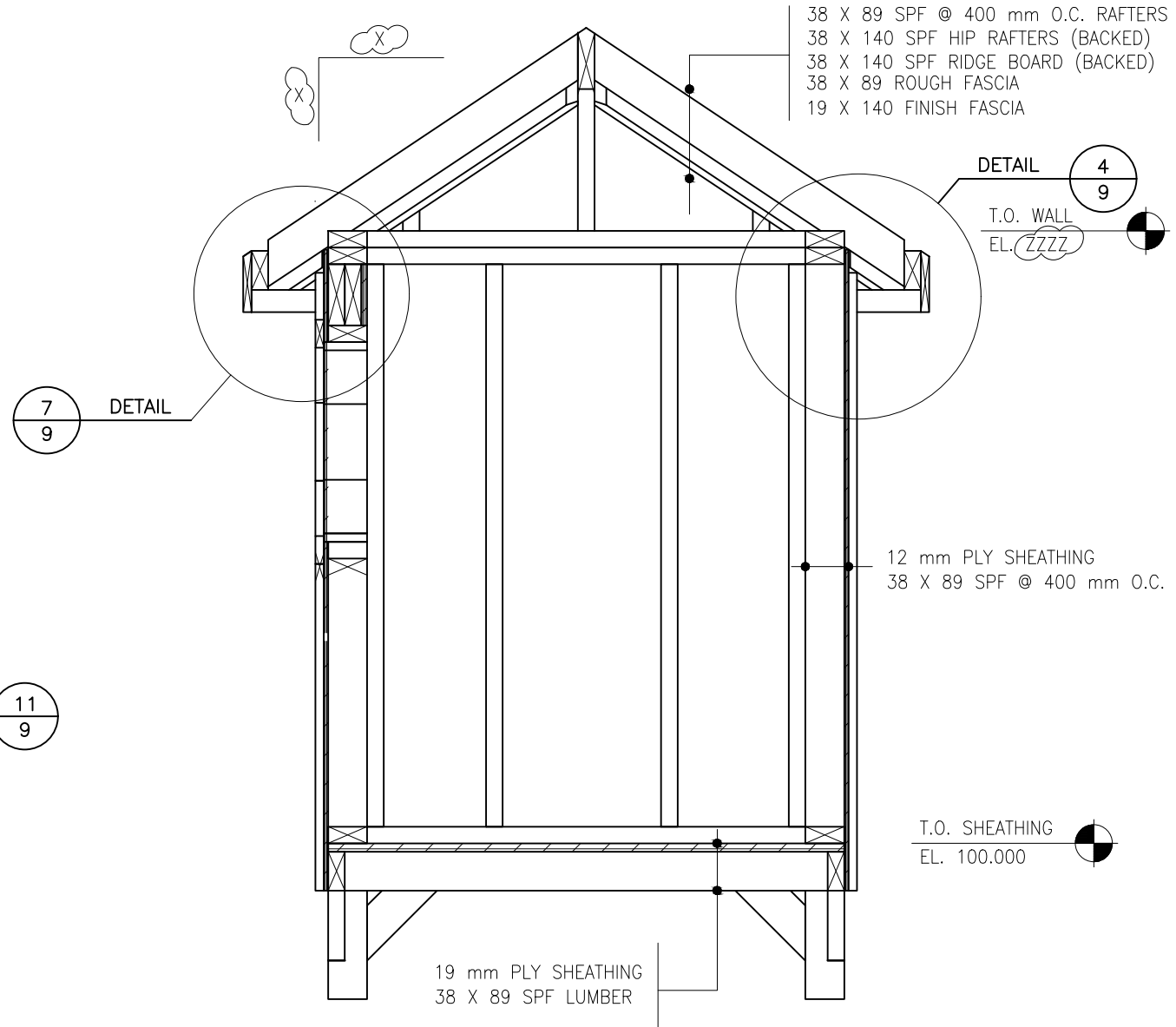
Drawing ELEVATIONS	Sheet 6
Date MAY '19	
Scale 1:15	



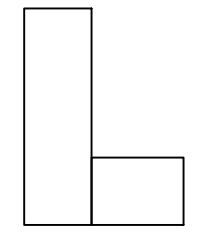
SECTION A-A
SCALE 1:15



TOP PLATE DETAIL @ POSTS
VIEWED FROM FRONT ELEVATION
LEFT CORNER
SCALE 1:10



SECTION B-B
SCALE 1:15



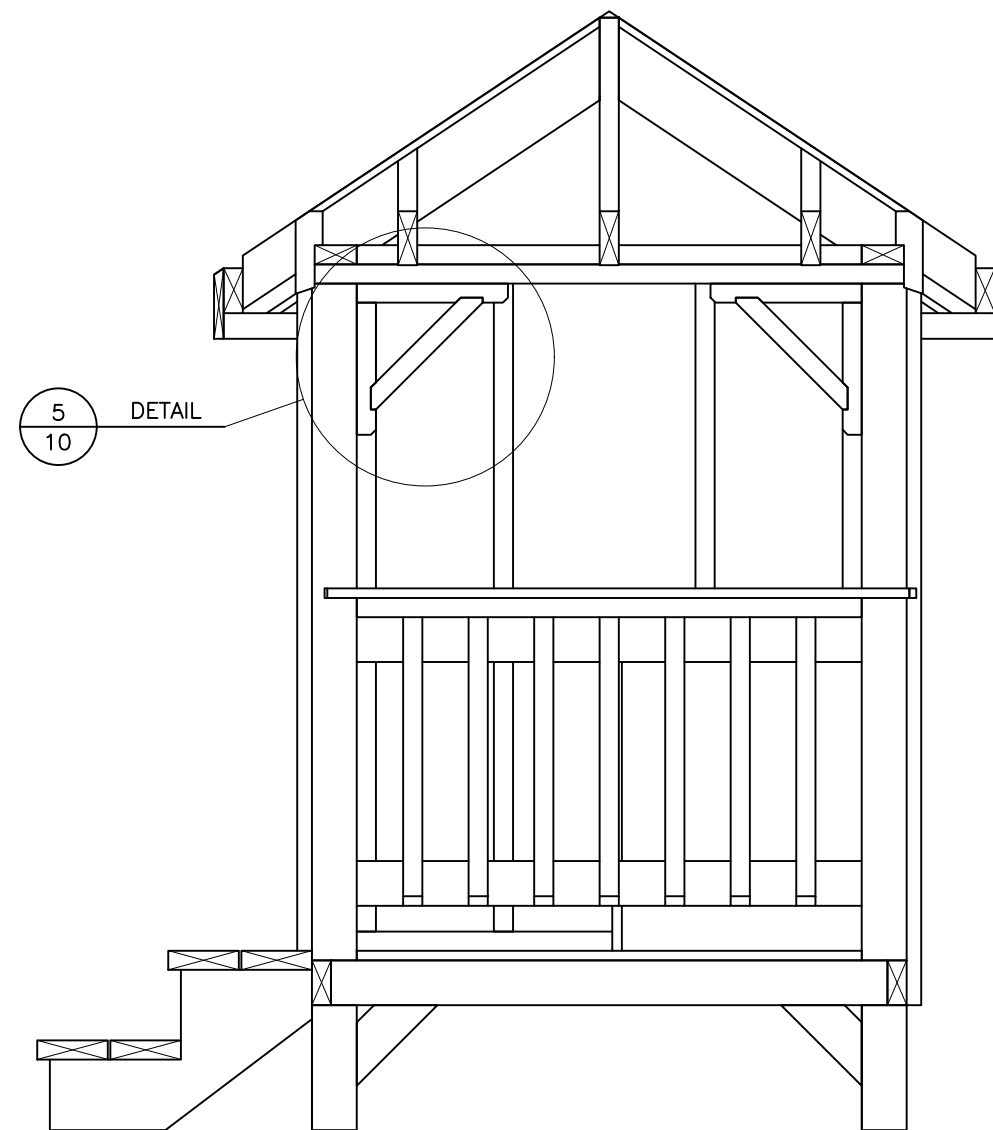
CAP PLATE DETAIL @ POSTS
VIEWED FROM FRONT ELEVATION
LEFT CORNER
SCALE 1:10

General Notes		
FOR EDUCATIONAL PURPOSE ONLY		
No.	Revision/Issue	Date



PLAYHOUSE
2019

Drawing	SECTIONS	Sheet
Date	MAY '19	7
Scale	1:15	



SECTION C-C
 SCALE 1:15 2

General Notes

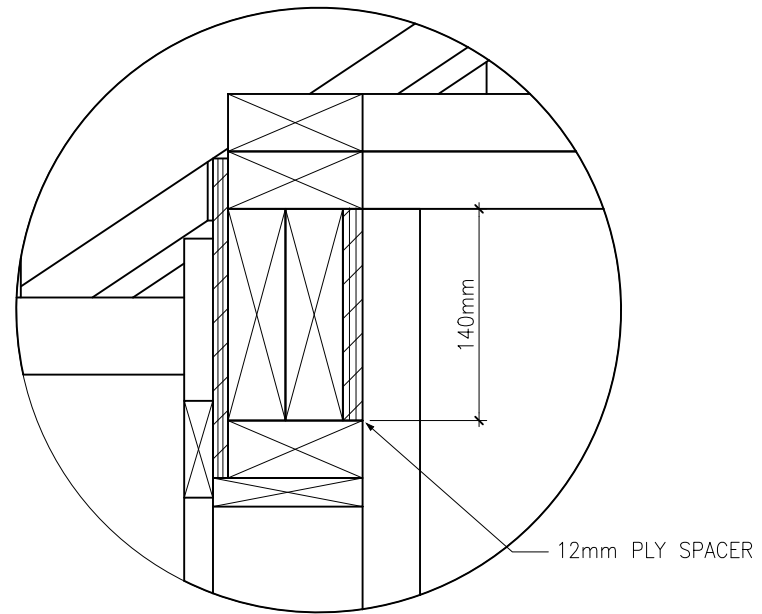
FOR EDUCATIONAL PURPOSE ONLY

No.	Revision/Issue	Date

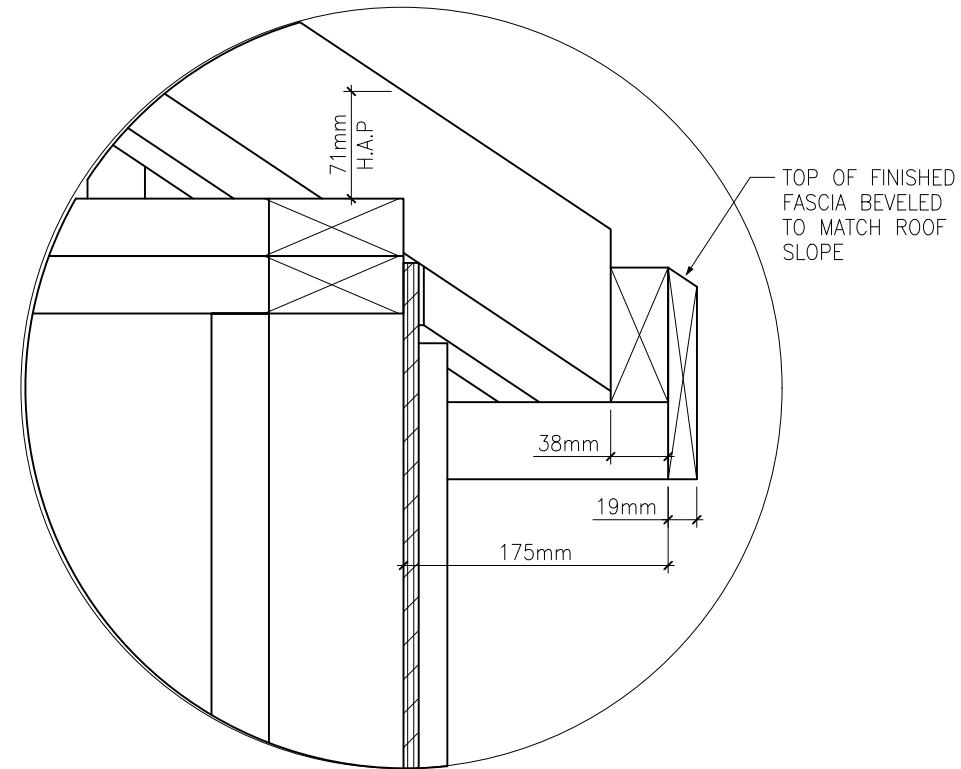


PLAYHOUSE
 2019

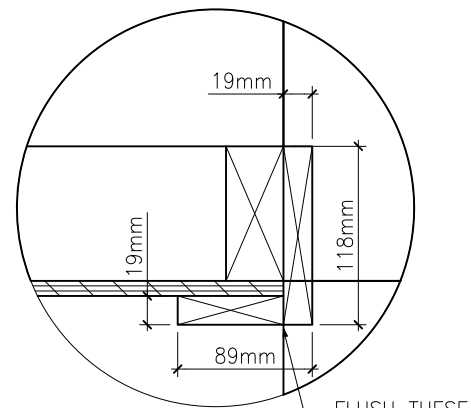
Drawing	SECTIONS	Sheet 8
Date	MAY '19	
Scale	1:15	



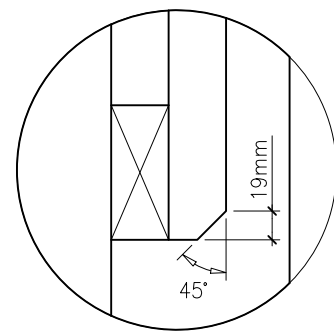
DETAIL 3
 LINTEL DETAIL 7



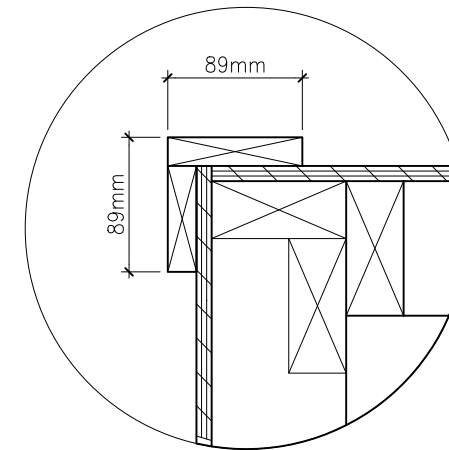
DETAIL 4
 CORNICE DETAIL 7



DETAIL 2
 INTERIOR WALL TRIM DETAIL TYPICAL 2



DETAIL 11
 BALLUSTER CHAMFER DETAIL 7



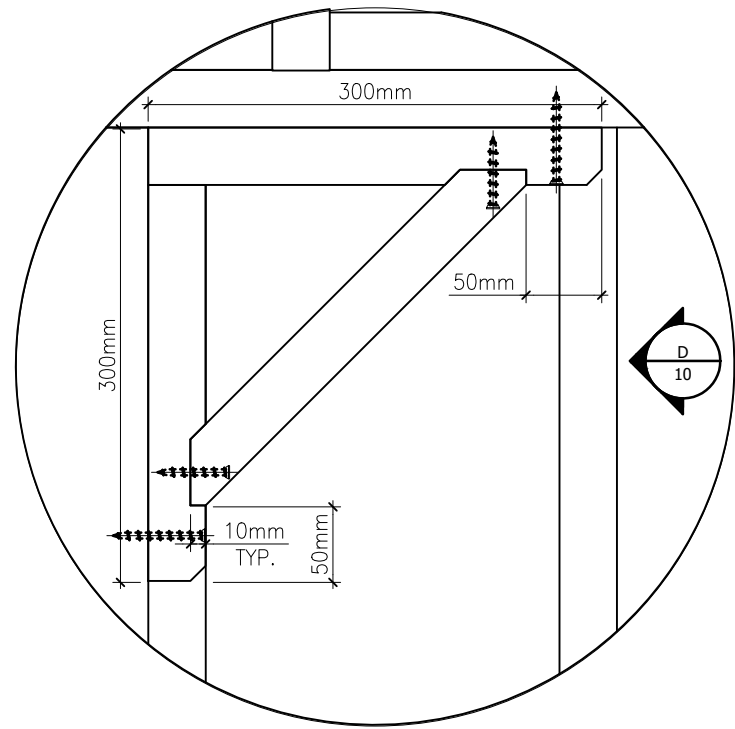
DETAIL 1
 REAR WALL TRIM DETAIL TYPICAL 2

General Notes		
FOR EDUCATIONAL PURPOSE ONLY		
No.	Revision/Issue	Date

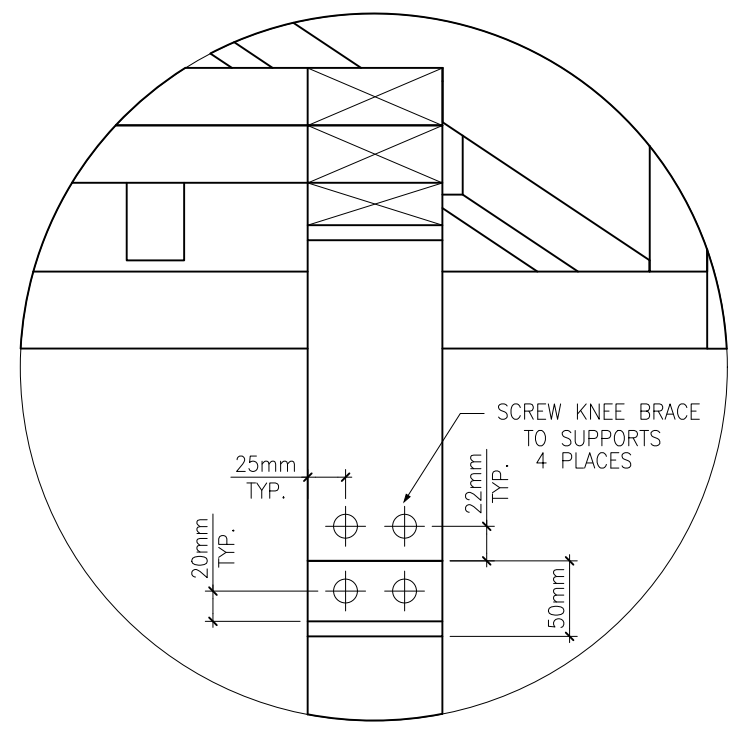


PLAYHOUSE
2019

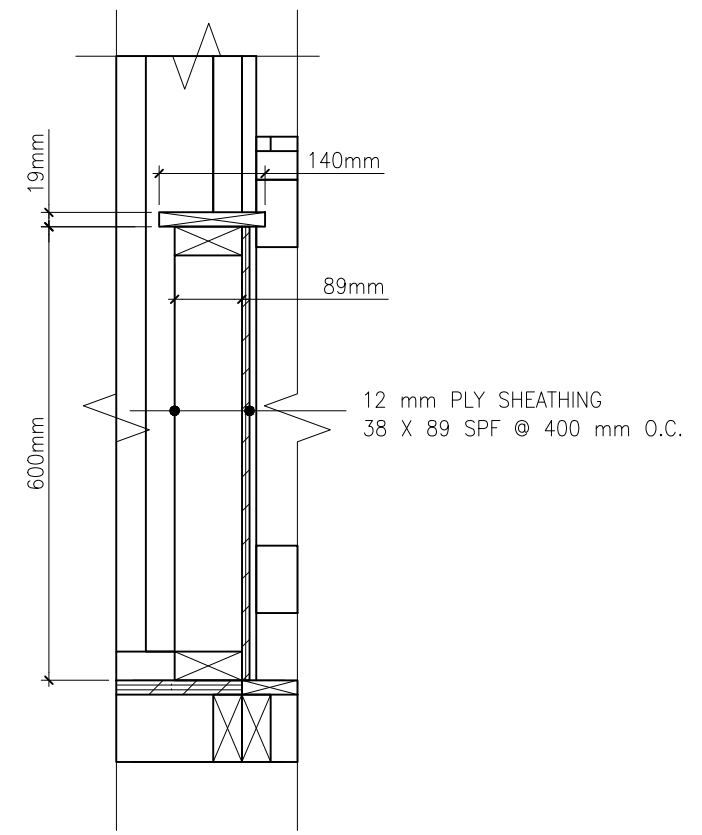
Drawing	DETAILS	Sheet
Date	MAY '19	9
Scale	1:5	



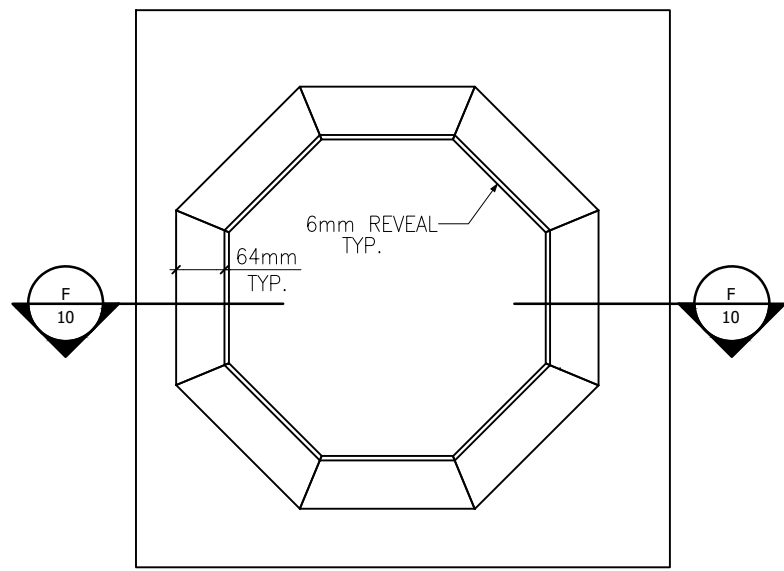
DETAIL 5 / 8
 KNEE BRACE
 DETAIL
 SCALE 1:5



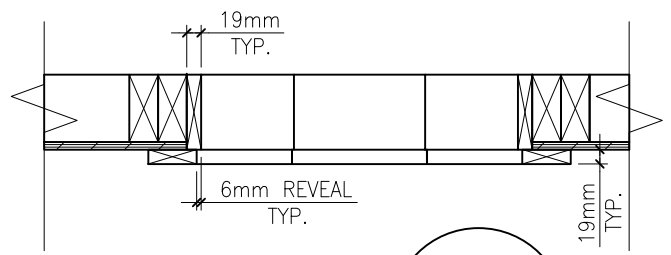
SECTION D / 10
 KNEE BRACE
 SCALE 1:5



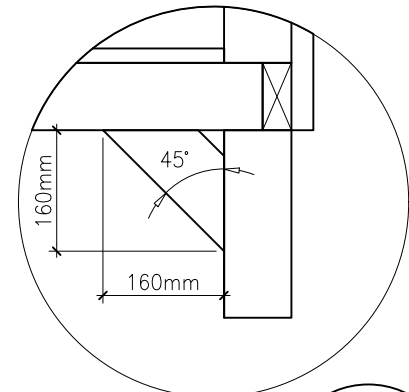
SECTION E / 2
 PONY WALL
 SCALE 1:10



WINDOW DETAIL
 SCALE 1:10



SECTION F-F / 10
 SCALE 1:10



DETAIL 6 / 8
 TYPICAL BRACE
 SCALE 1:10

General Notes
 FOR EDUCATIONAL PURPOSE ONLY

No.	Revision/Issue	Date



PLAYHOUSE
 2019

Drawing	DETAILS	Sheet
Date	MAY '19	10
Scale	AS SHOWN	