

General Notes
FOR EDUCATIONAL
PURPOSE ONLY

CONTENTS

- A1 - ISOMETRIC
- A2 - FLOOR JOIST FRAMING
- A3 - FLOOR DECK FRAMING
- A4 - MAIN FLOOR FRAMING
- A5 - ROOF FRAMING PLAN
- A6 - ELEVATIONS
- A7 - SECTIONS
- A8 - DETAILS
- A9 - DETAILS

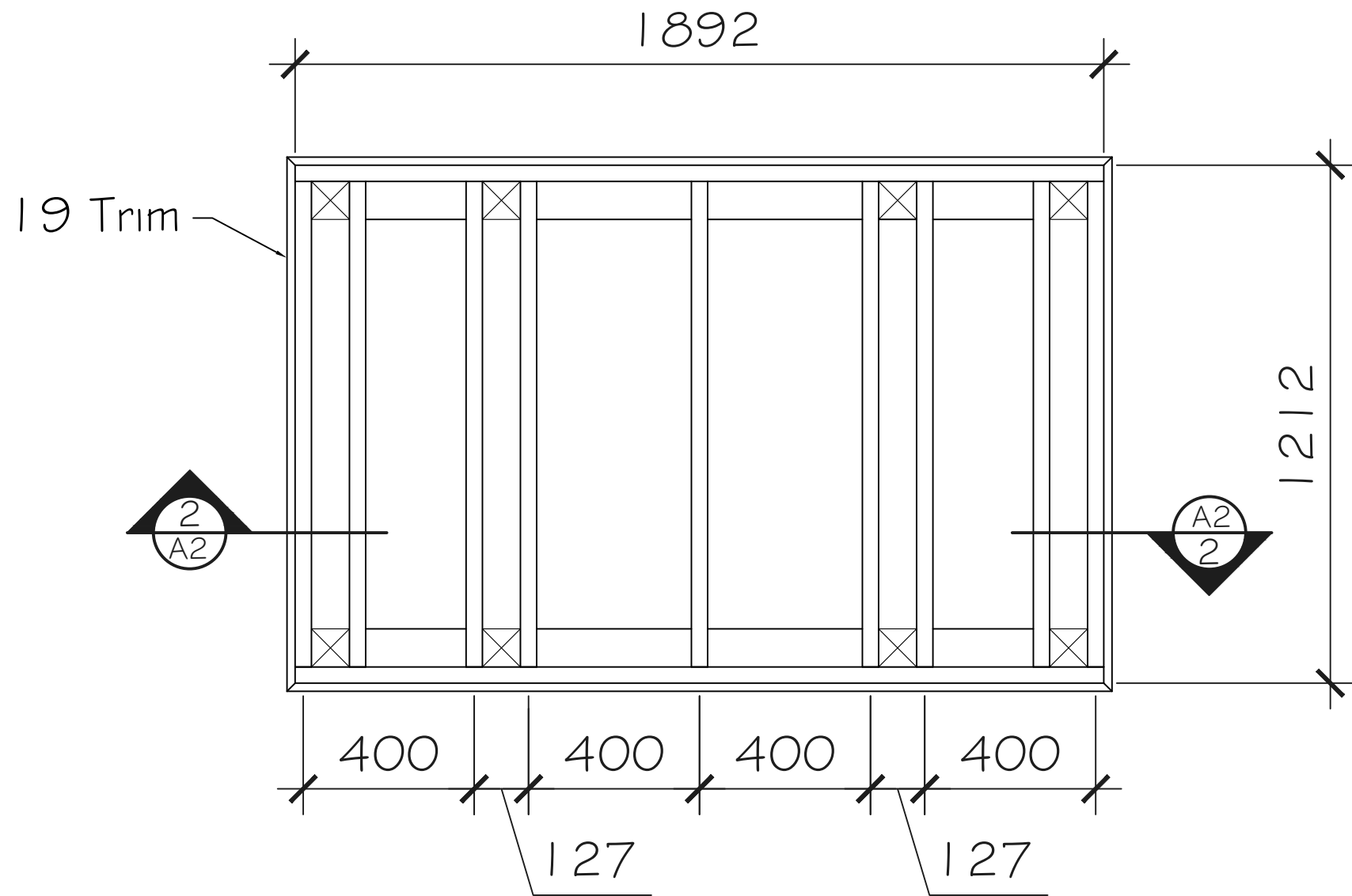
8	REVISIONS	SEPT.17
7	REVISIONS	SEPT.5
6	REVISIONS	AUG.28
5	REVISIONS	APR.11
4	REVISIONS	FEB.16
3	REVISIONS	DEC.15
2	REVISIONS	DEC.7
1	DRAFT	NOV.14
No.	Revision/Issue	Date

SKILLS
CANADA

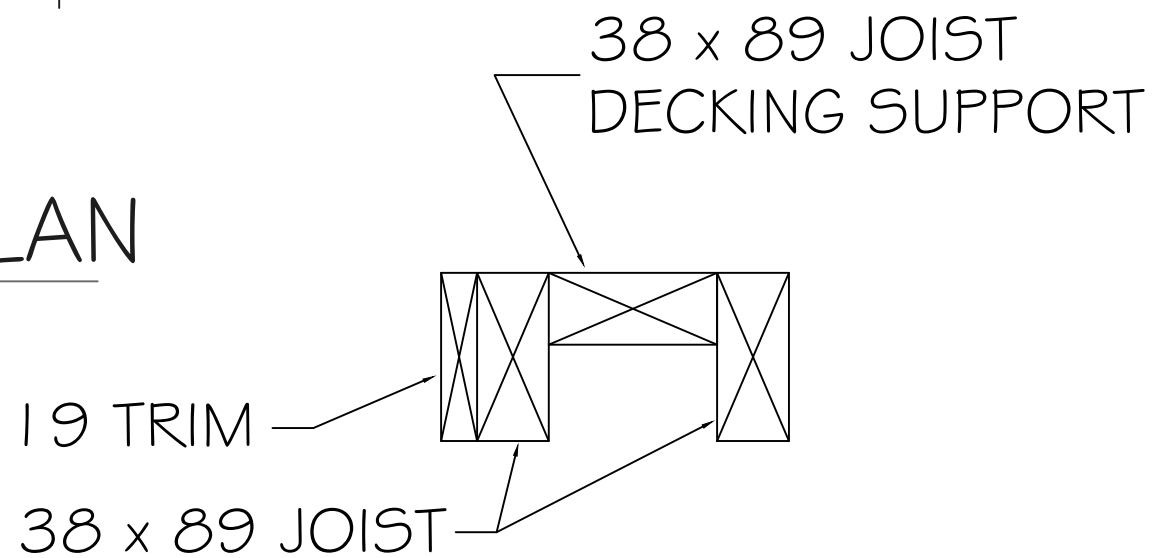
SECONDARY
2019

ISOMETRIC

DRAWN BY: DH	SHEET #
DATE: 9/17/2018	A1
SCALE: Not to scale	



1 FLOOR FRAMING PLAN
A2



2 DECKING SUPPORT SECTION
A2

General Notes
 FOR EDUCATIONAL PURPOSE ONLY
 1) 38 x 89 FLOOR JOISTS
 2) FASTENERS AS PER NATIONAL BUILDING CODE
 3) ALL FASTENERS TO BE NAILS UNLESS NOTED OTHERWISE

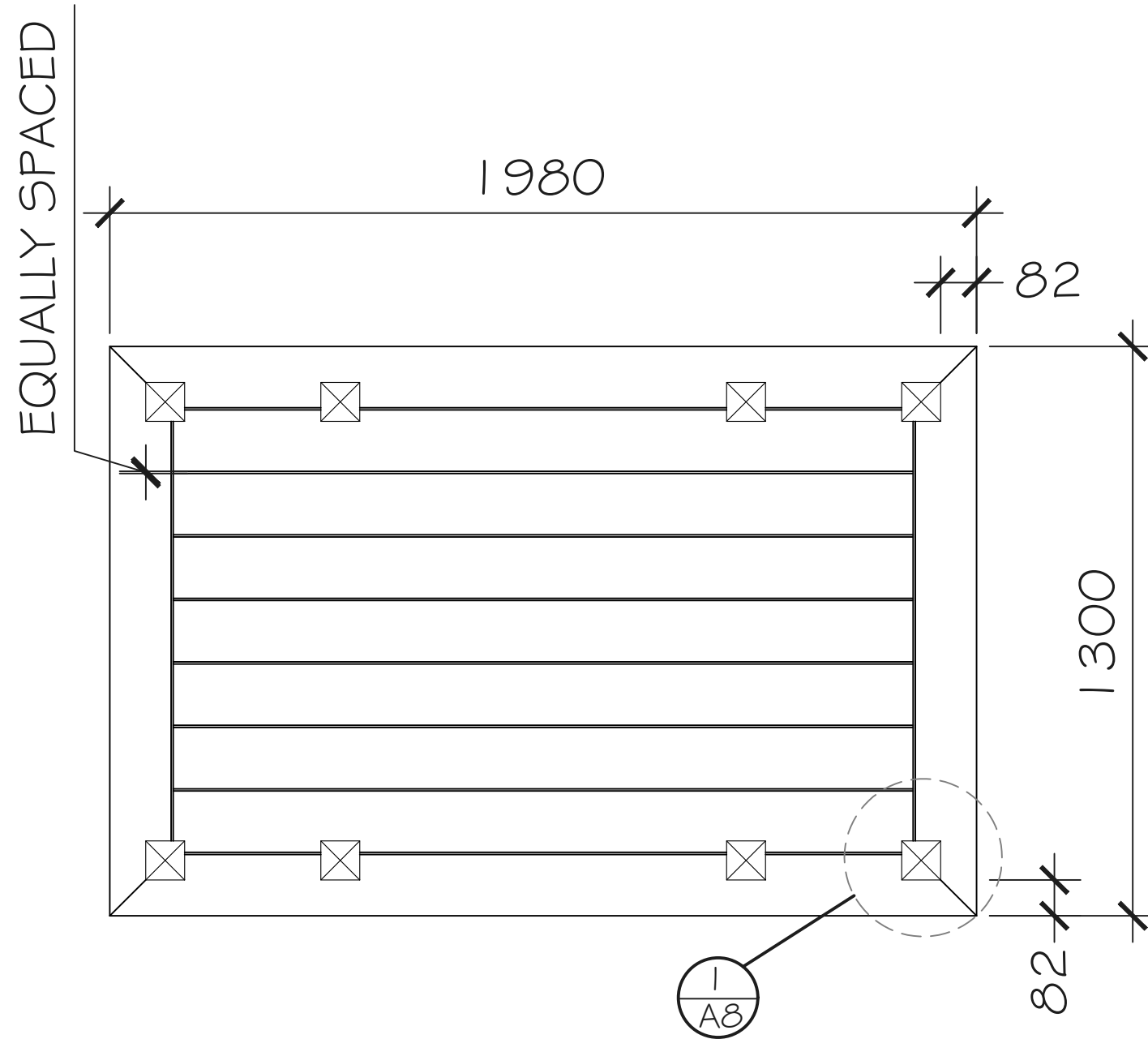
No.	Revision/Issue	Date
9	REVISIONS	SEPT.17
8	REVISIONS	SEPT.5
7	REVISIONS	SEPT.4
6	REVISIONS	AUG.28
5	REVISIONS	APR.11
4	REVISIONS	FEB.16
3	REVISIONS	DEC.15
2	REVISIONS	DEC.7
1	DRAFT	NOV.14

SKILLS CANADA

SECONDARY 2019

FLOOR JOIST FRAMING

DRAWN BY: DH	SHEET #
DATE: 9/17/2018	A2
SCALE: Not to scale	



1 FLOOR DECKING PLAN

General Notes
FOR EDUCATIONAL
PURPOSE ONLY

- 1) 38 x 140 DECKING
- 2) DECKING TO BE FASTENED WITH SCREWS

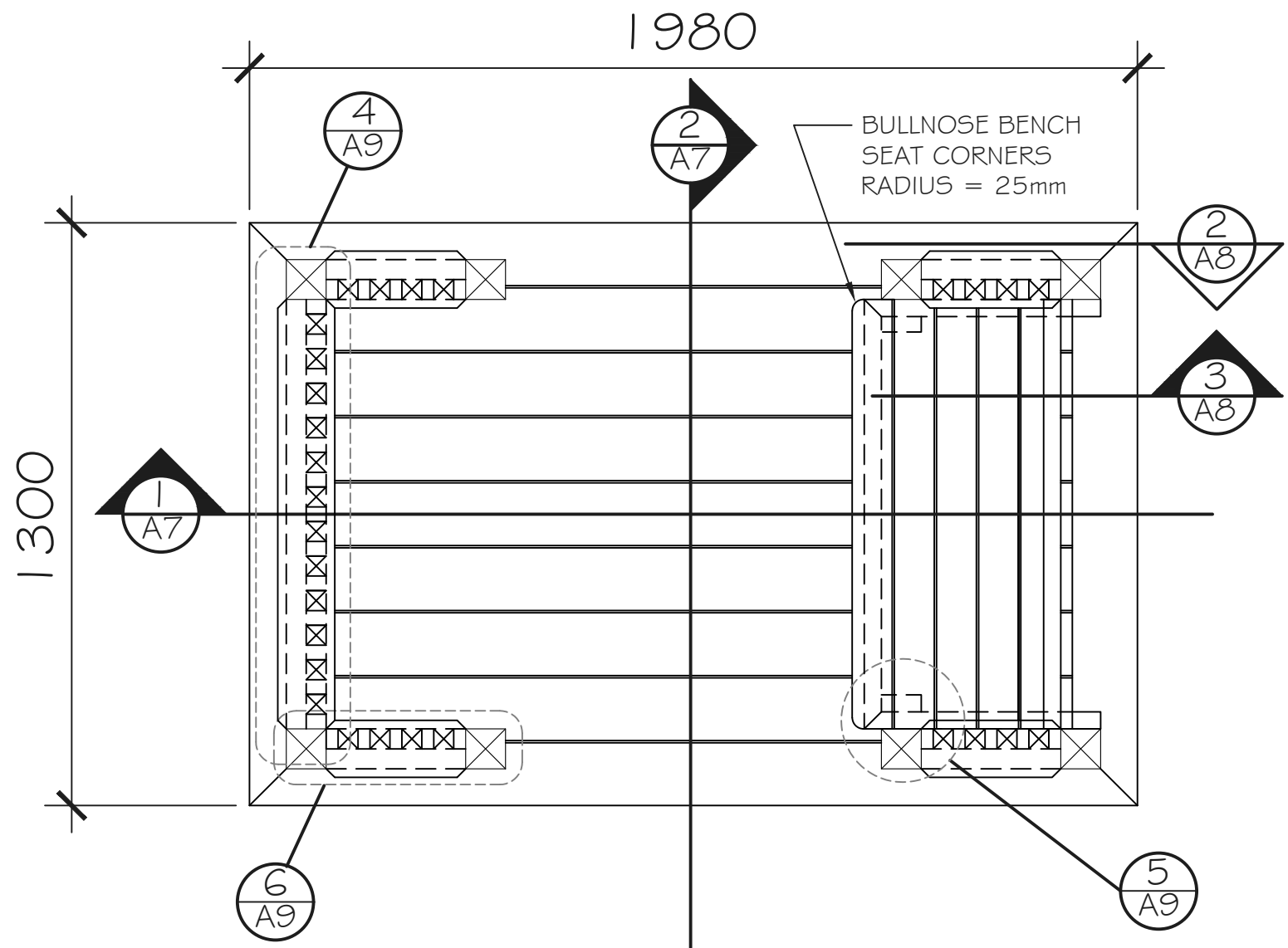
No.	Revision/Issue	Date
8	REVISIONS	SEPT.17
7	REVISIONS	SEPT.4
6	REVISIONS	AUG.28
5	REVISIONS	APR.11
4	REVISIONS	FEB.16
3	REVISIONS	DEC.15
2	REVISIONS	DEC.7
1	DRAFT	NOV.14

SKILLS
CANADA

SECONDARY
2019

FLOOR DECK
FRAMING

DRAWN BY: DH	SHEET #
DATE: 9/17/2018	A3
SCALE: Not to scale	



1 MAIN FLOOR PLAN

General Notes
FOR EDUCATIONAL PURPOSE ONLY
 1) 38 x 89 BENCH, SEAT, BACK & FRAMING
 2) SEAT AND SEAT BACKS TO BE SCREWED TO SUPPORTS

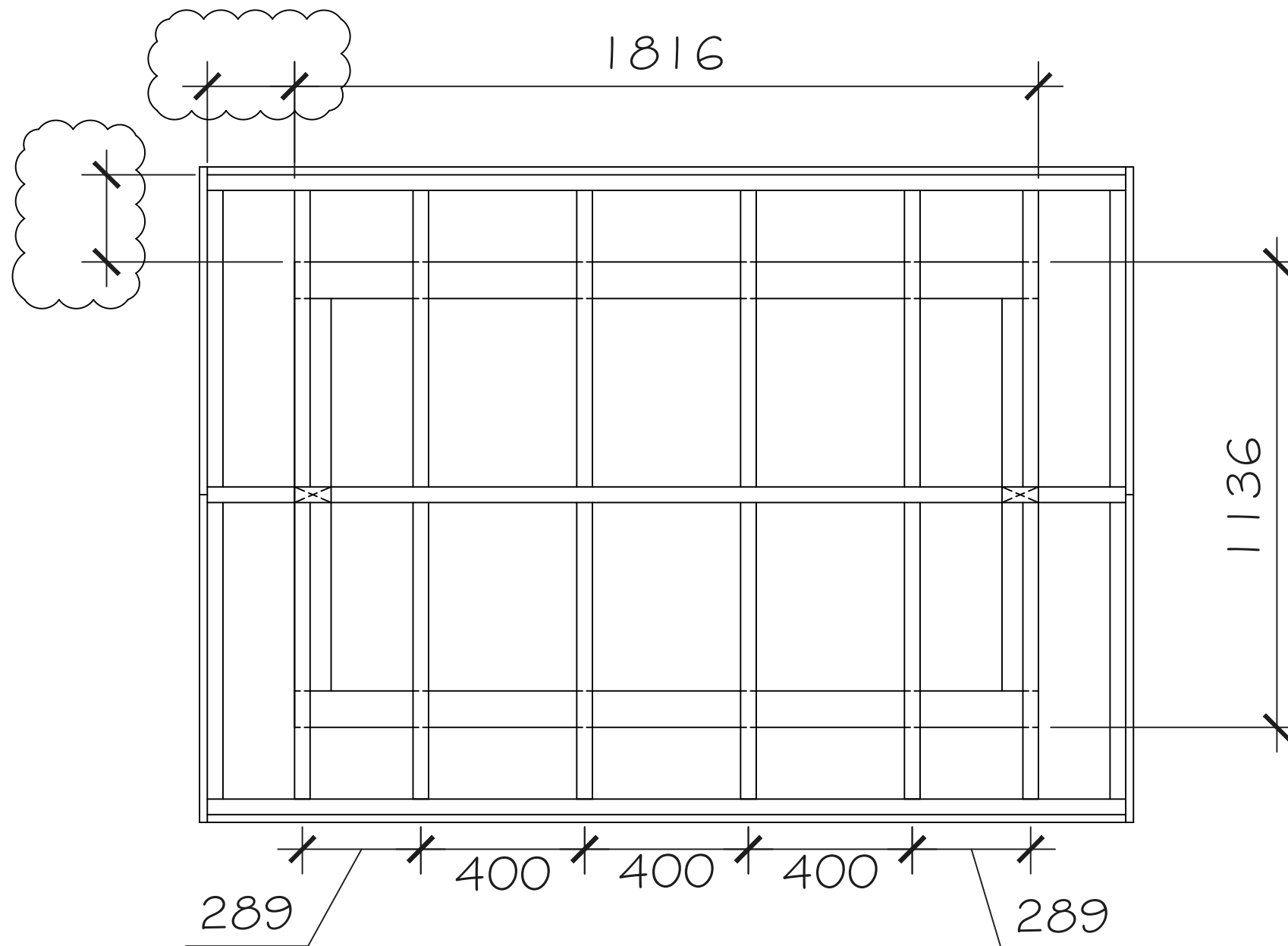
No.	Revision/Issue	Date
8	REVISIONS	SEPT.5
7	REVISIONS	SEPT.4
6	REVISIONS	AUG.28
5	REVISIONS	APR.11
4	REVISIONS	FEB.16
3	REVISIONS	DEC.15
2	REVISIONS	DEC.7
1	DRAFT	NOV.14

SKILLS
CANADA

SECONDARY
2019

MAIN FLOOR
PLAN

DRAWN BY: DH	SHEET #
DATE: 9/5/2018	A4
SCALE: Not to scale	



1 ROOF FRAMING PLAN

General Notes
FOR EDUCATIONAL
PURPOSE ONLY

- 1) 38 x 89 COMMON RAFTERS
- 2) 38 x 89 ROUGH FASCIA
- 3) 19 x 140 FINISH FASCIA
- 4) 38 x 140 SQUARE RIDGE

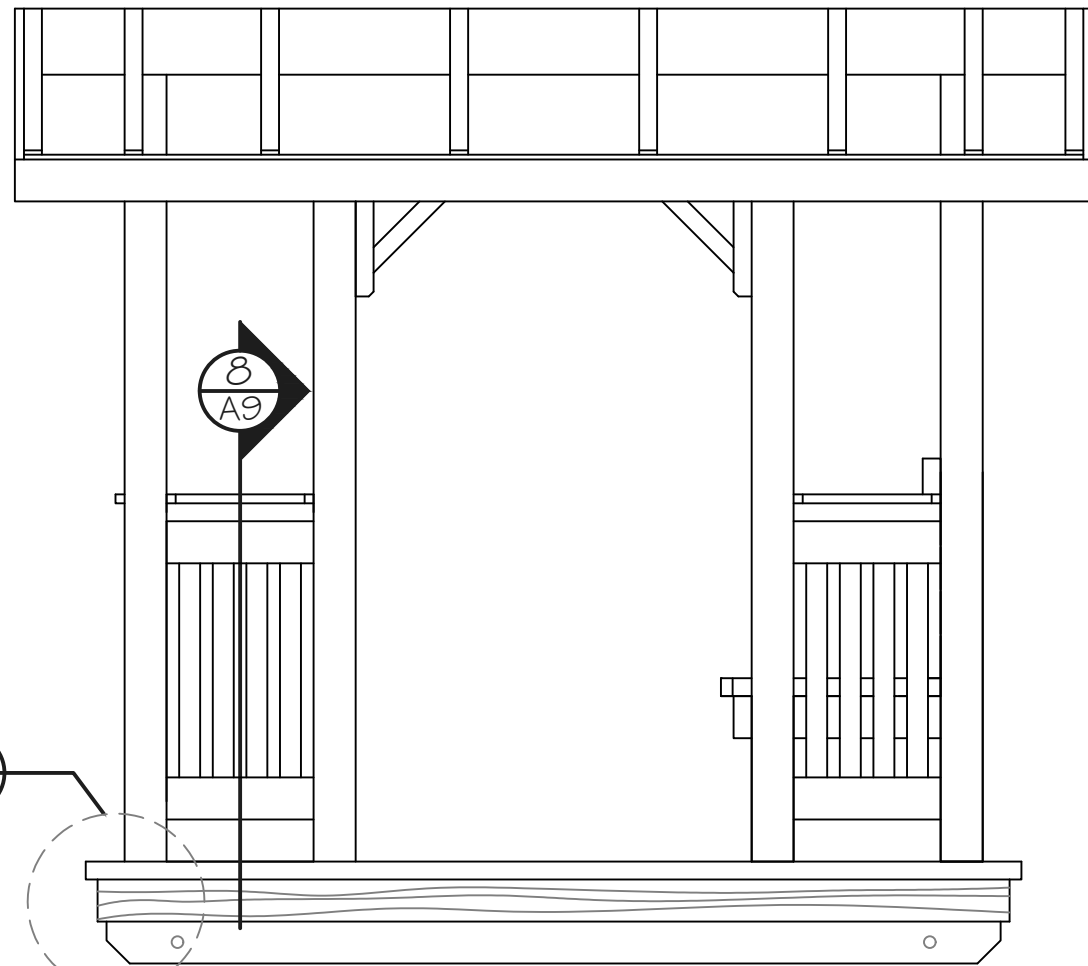
No.	Revision/Issue	Date
8	REVISIONS	SEPT.5
7	REVISIONS	SEPT.4
6	REVISIONS	AUG.28
5	REVISIONS	APR.11
4	REVISIONS	FEB.16
3	REVISIONS	DEC.15
2	REVISIONS	DEC.7
1	DRAFT	NOV.14

SKILLS
CANADA

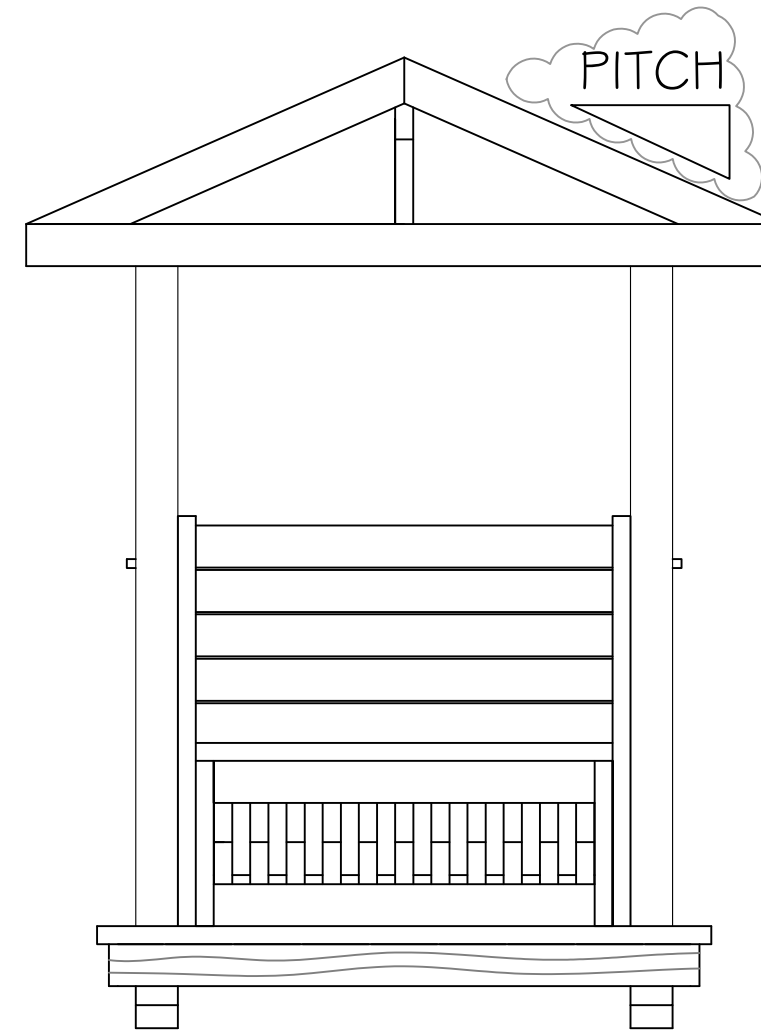
SECONDARY
2019

ROOF
FRAMING PLAN

DRAWN BY: DH	SHEET #
DATE: 9/5/2018	A5
SCALE: Not to scale	



① SIDE ELEVATION



② REAR ELEVATION

General Notes
FOR EDUCATIONAL
PURPOSE ONLY

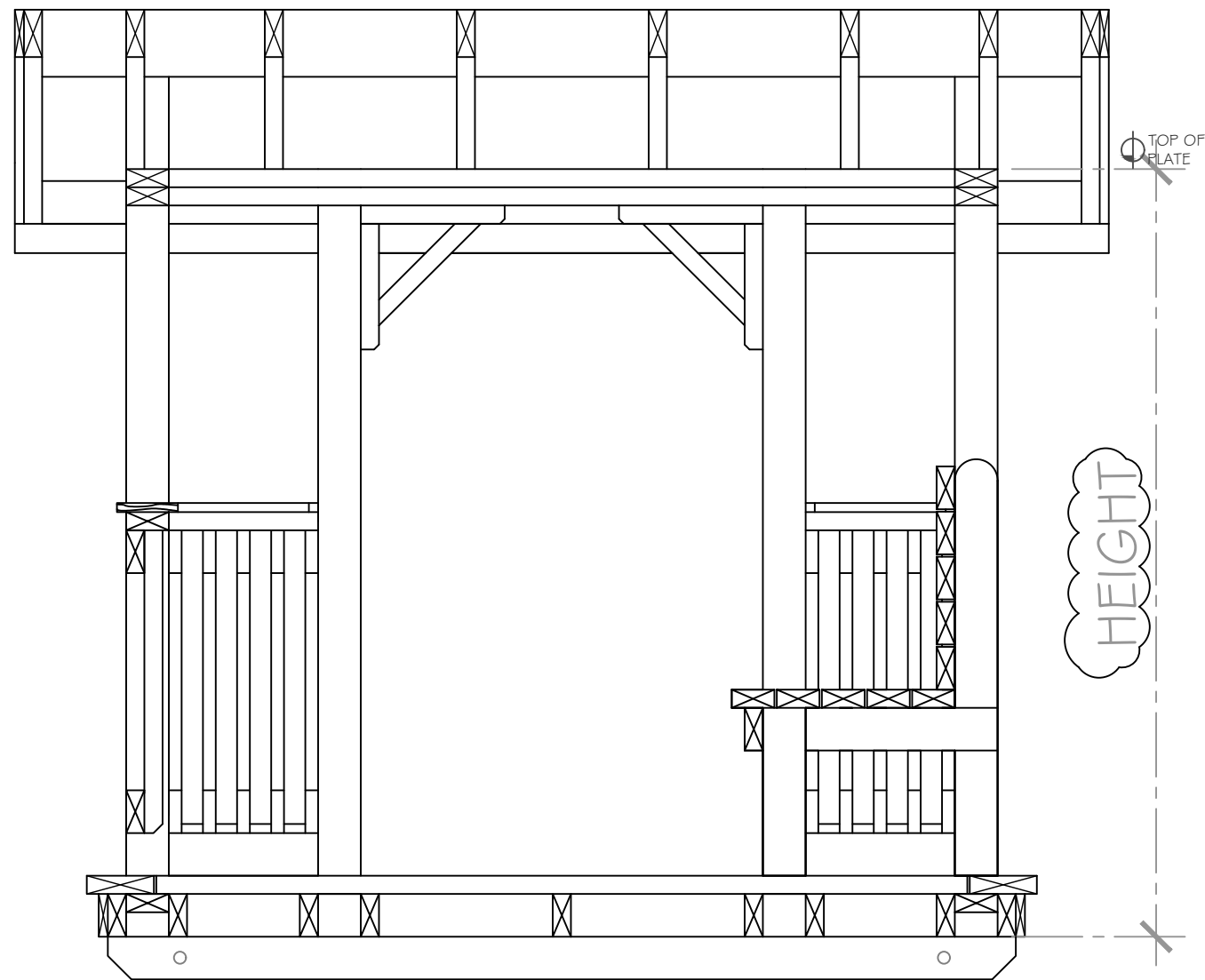
No.	Revision/Issue	Date
7	REVISIONS	SEPT.5
6	REVISIONS	AUG.28
5	REVISIONS	APR.11
4	REVISIONS	FEB.16
3	REVISIONS	DEC.15
2	REVISIONS	DEC.7
1	DRAFT	NOV.14

SKILLS
CANADA

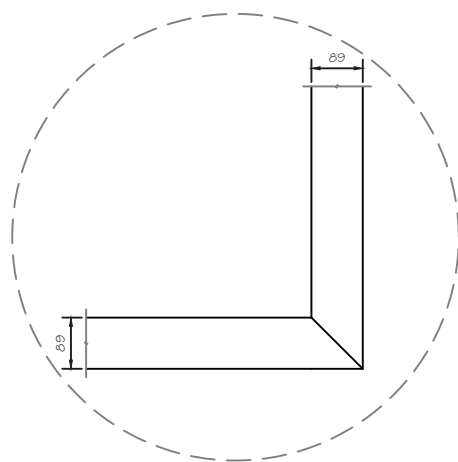
SECONDARY
2019

ELEVATIONS

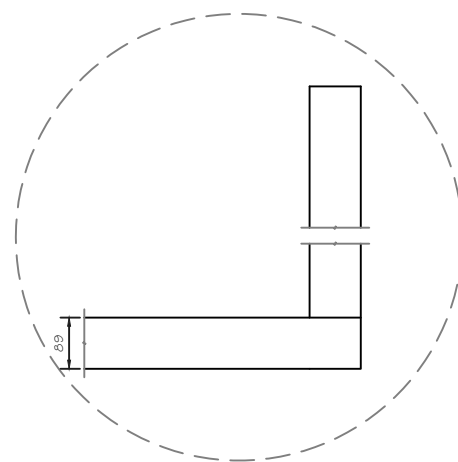
DRAWN BY: DH	SHEET #
DATE: 9/5/2018	A6
SCALE: Not to scale	



1 SECTION
A4

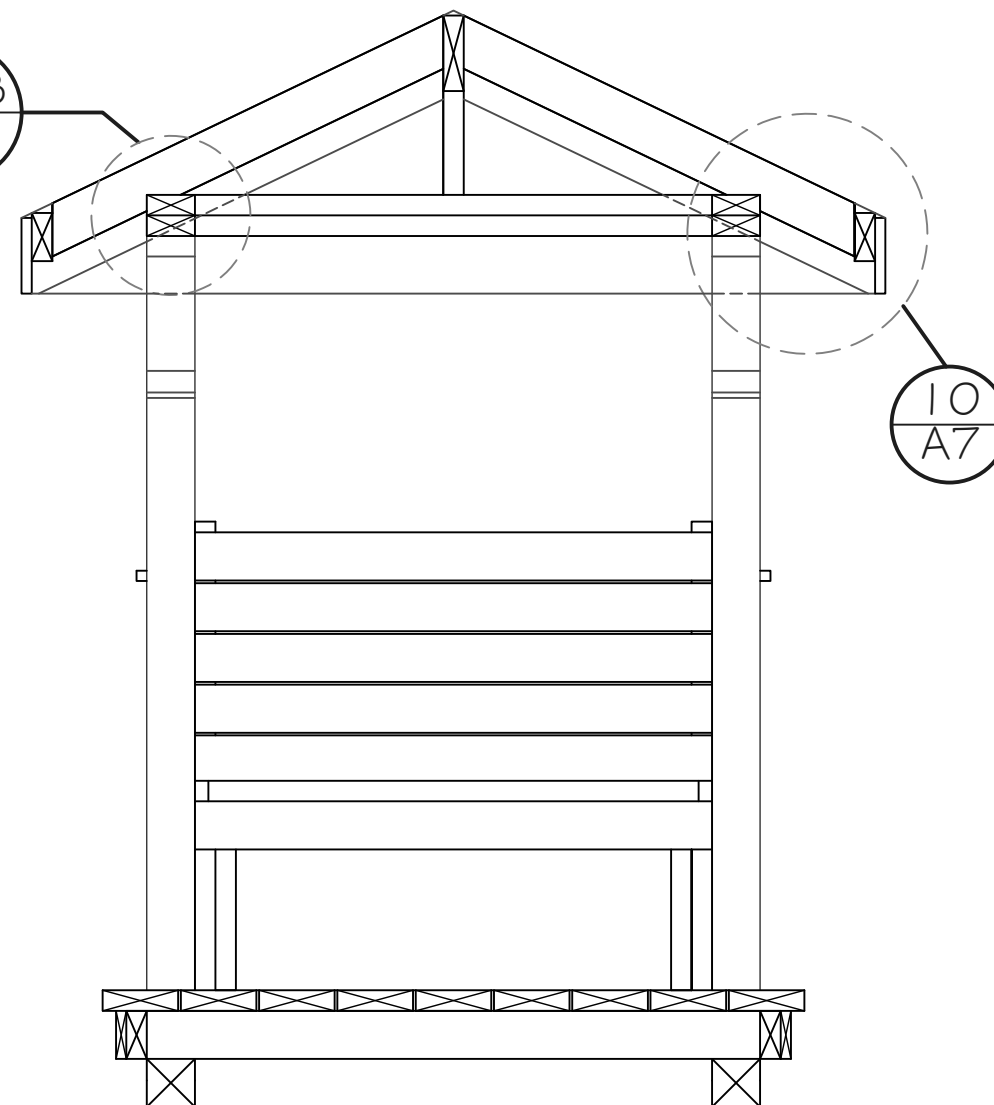


9A PLAN OF LOWER TOP PLATE
A7 CONNECTION AT POSTS

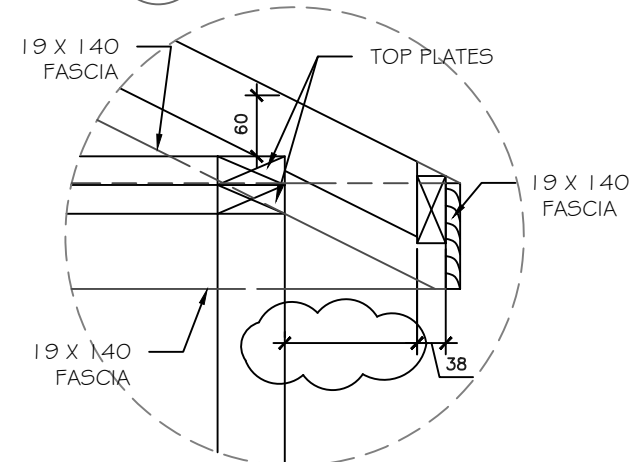


9B PLAN OF UPPER TOP PLATE
A7 CONNECTION AT POSTS

9A&B
A7



2 SECTION
A4



10 TYP. EAVE DETAIL
A7

General Notes
FOR EDUCATIONAL
PURPOSE ONLY

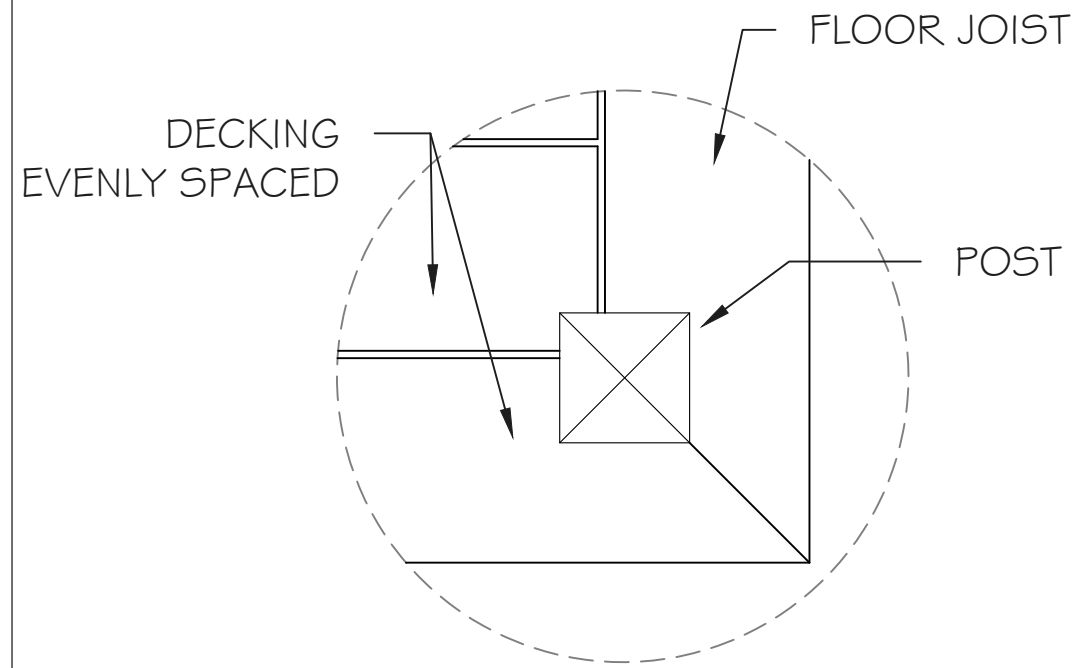
No.	Revision/Issue	Date
9	REVISIONS	SEPT.6
8	REVISIONS	SEPT.5
7	REVISIONS	SEPT.4
6	REVISIONS	AUG.28
5	REVISIONS	APR.11
4	REVISIONS	FEB.16
3	REVISIONS	DEC.15
2	REVISIONS	DEC.7
1	DRAFT	NOV.14

SKILLS
CANADA

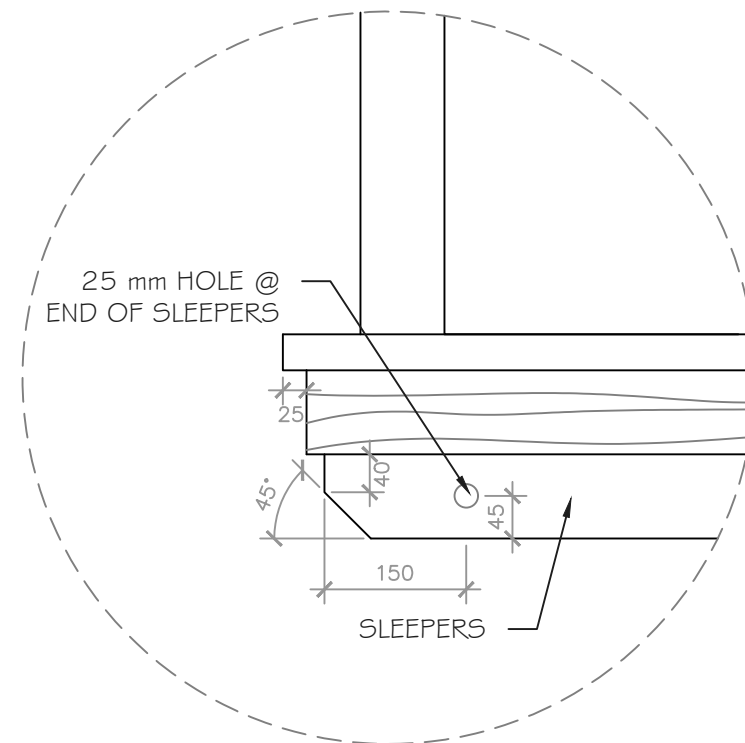
SECONDARY
2019

SECTIONS

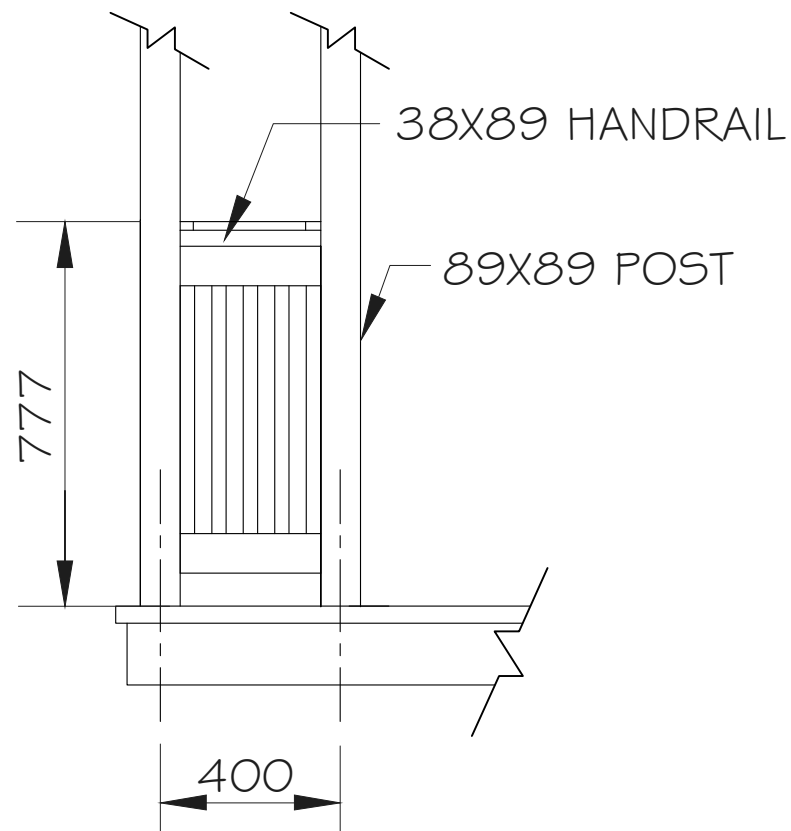
DRAWN BY: DH	SHEET #
DATE: 9/6/2018	A7
SCALE: Not to scale	



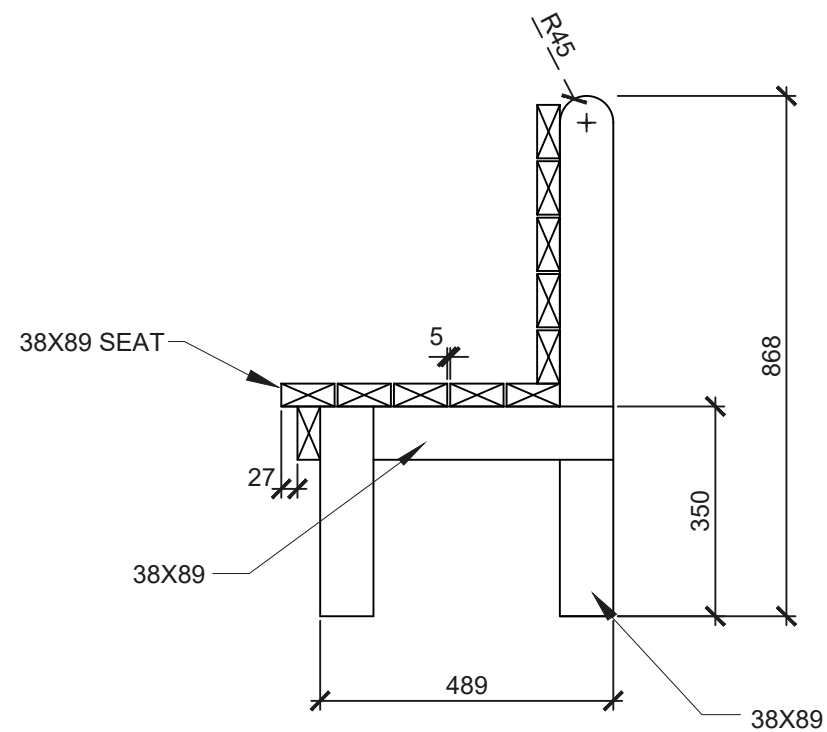
1
A8 DECKING AT FLOOR JOISTS



4
A6 SLEEPER ANGLE DETAIL



2
A4 RAILING DETAIL



3
A4 BENCH DETAIL

General Notes
FOR EDUCATIONAL
PURPOSE ONLY

- 1) BENCH REAR POSTS
RADIUS = 45 mm

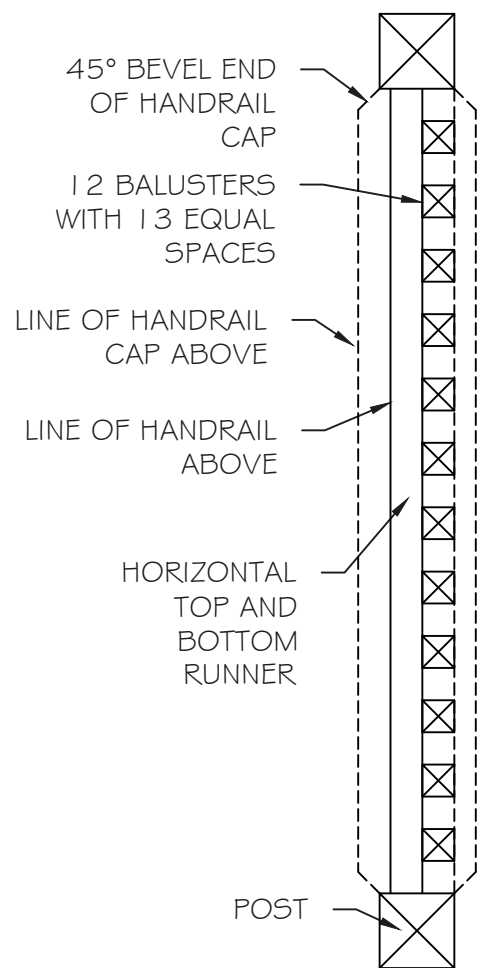
No.	Revision/Issue	Date
7	REVISIONS	SEPT.7
6	REVISIONS	AUG.28
5	REVISIONS	APR.11
4	REVISIONS	FEB.16
3	REVISIONS	DEC.15
2	REVISIONS	DEC.7
1	DRAFT	NOV.14

SKILLS
CANADA

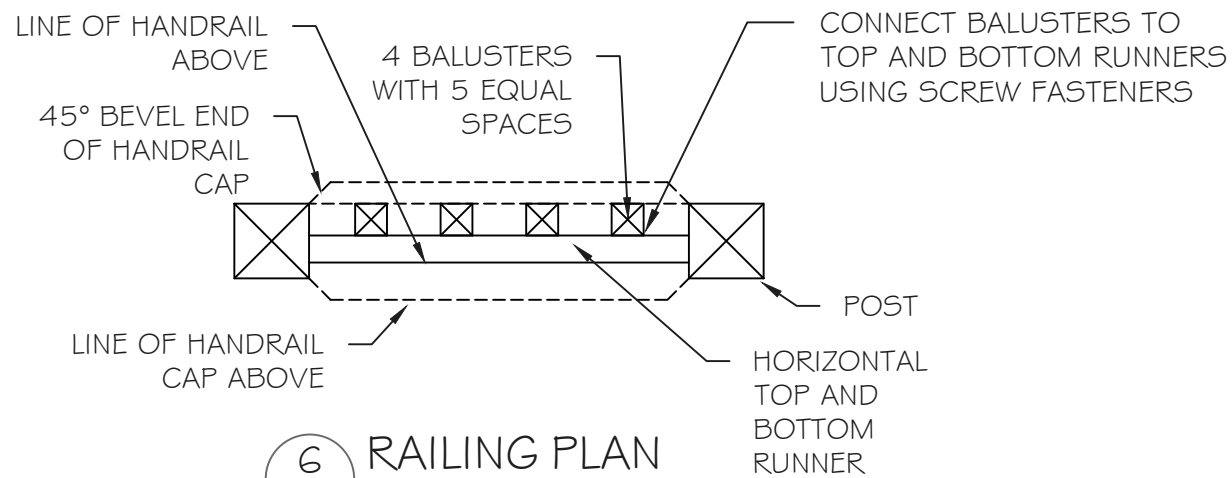
SECONDARY
2019

DETAILS

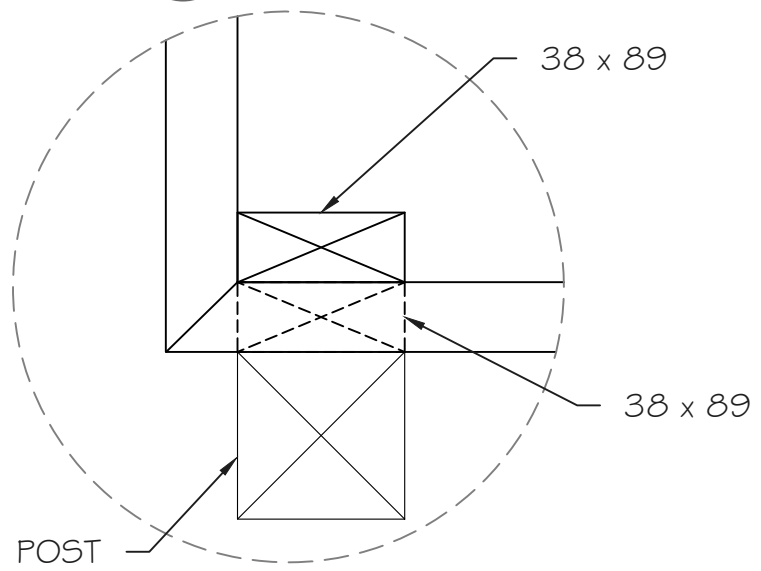
DRAWN BY: DH	SHEET #
DATE: 9/4/2018	A8
SCALE: Not to scale	



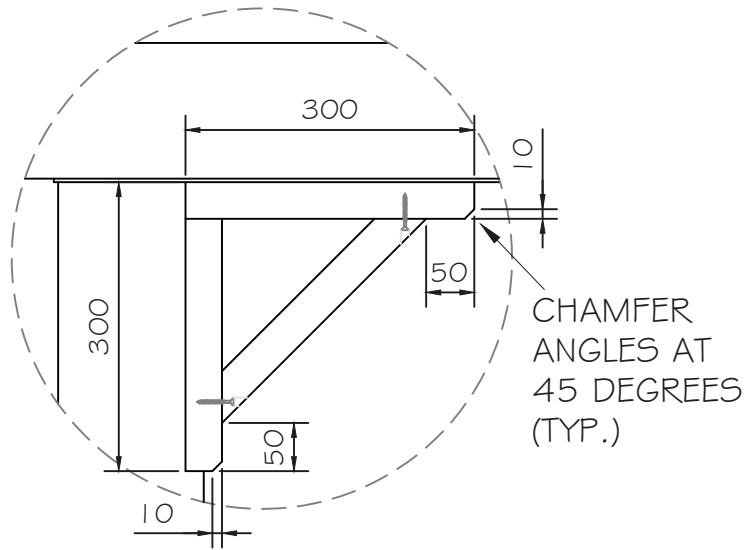
4 RAILING PLAN
A4



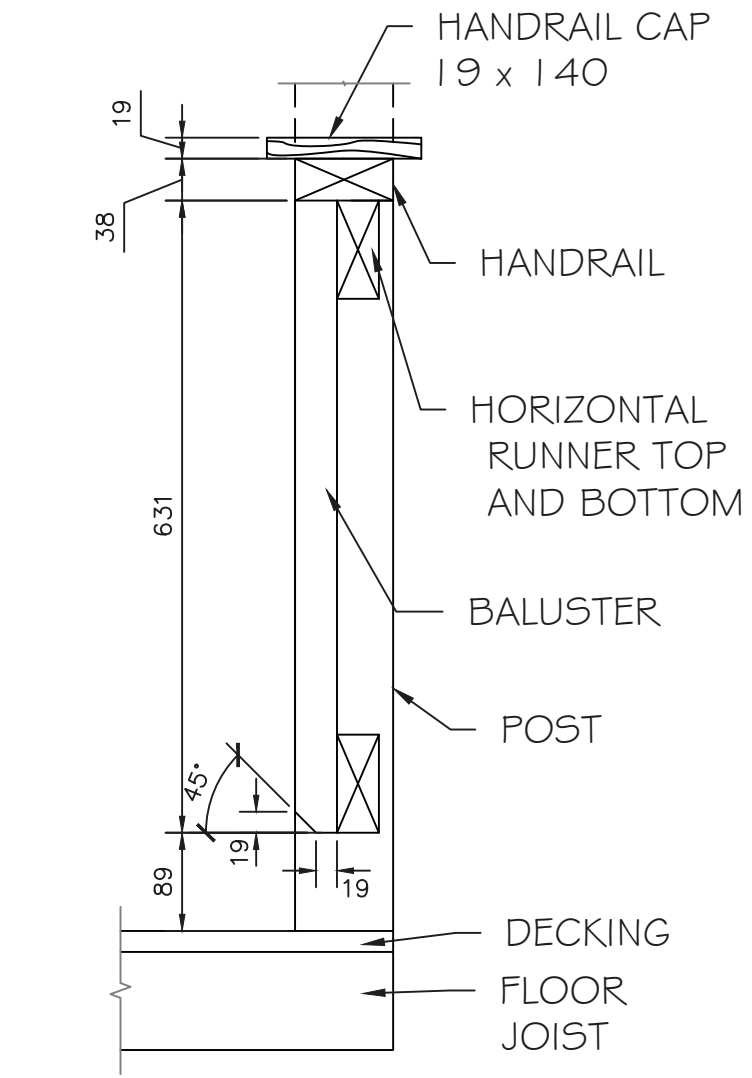
6 RAILING PLAN
A4



5 BENCH FRAMING DETAIL
A4



7 TYP. BRACE DETAIL
A9



8 BALUSTER SECTION
AG

General Notes
FOR EDUCATIONAL
PURPOSE ONLY

No.	Revision/Issue	Date
10	REVISIONS	SEPT.24
9	REVISIONS	SEPT.6
8	REVISIONS	SEPT.5
7	REVISIONS	SEPT.4
6	REVISIONS	AUG.28
5	REVISIONS	APR.11
4	REVISIONS	FEB.16
3	REVISIONS	DEC.15
2	REVISIONS	DEC.7
1	DRAFT	NOV.14

SKILLS
CANADA

SECONDARY
2019

DETAILS

DRAWN BY: DH	SHEET #
DATE: 9/24/2018	A9
SCALE: Not to scale	