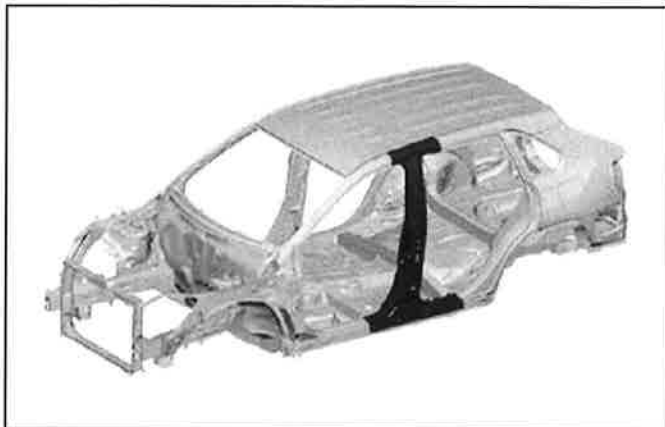


Last Modified: 01-16-2019	6.8:8.0.48	Doc ID: RM100000001F53R
Model Year Start: 2019	Model: RAV4	Prod Date Range: [11/2018 -]
Title: BODY PANEL: CENTER BODY PILLAR: CUT AND JOIN REPLACEMENT SECTIONS; 2019 MY RAV4 RAV4 F [11/2018 -]		

CUT AND JOIN REPLACEMENT SECTIONS



REMOVAL

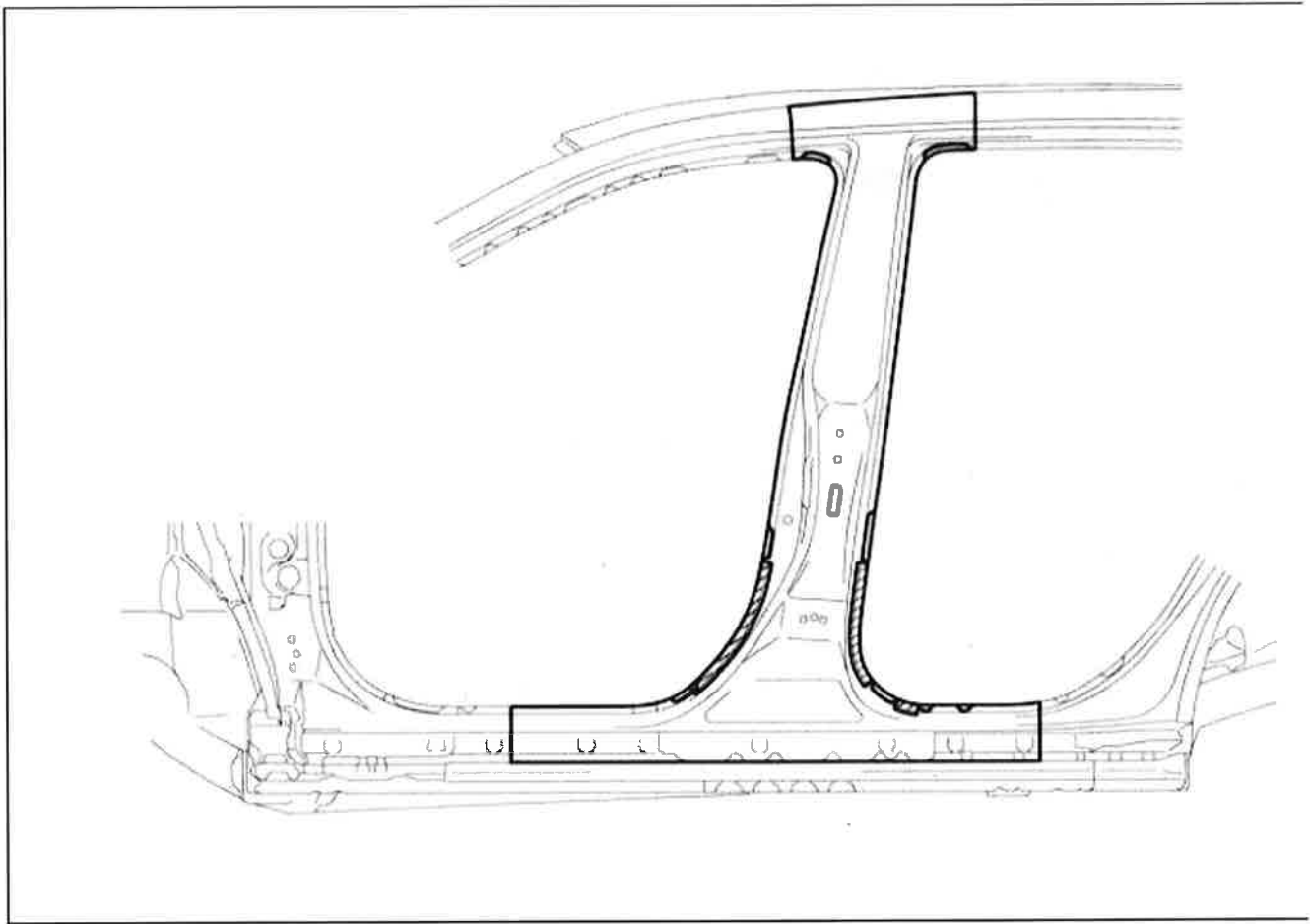
SYMBOL MEANING	
	Remove Weld Points
	Remove Weld Points
	Cut with Disc Sander etc.
	Cut and Join Location
	Cut Location for Supply Parts


- (a) Do not butt weld or heat repair because the heat decreases the strength of areas where ultra high strength steel is used. (See the introduction)
- (b) Roughly cut open the panel so that the adhesive can be reached. Cut through the adhesive with a cut c

to remove the panel.

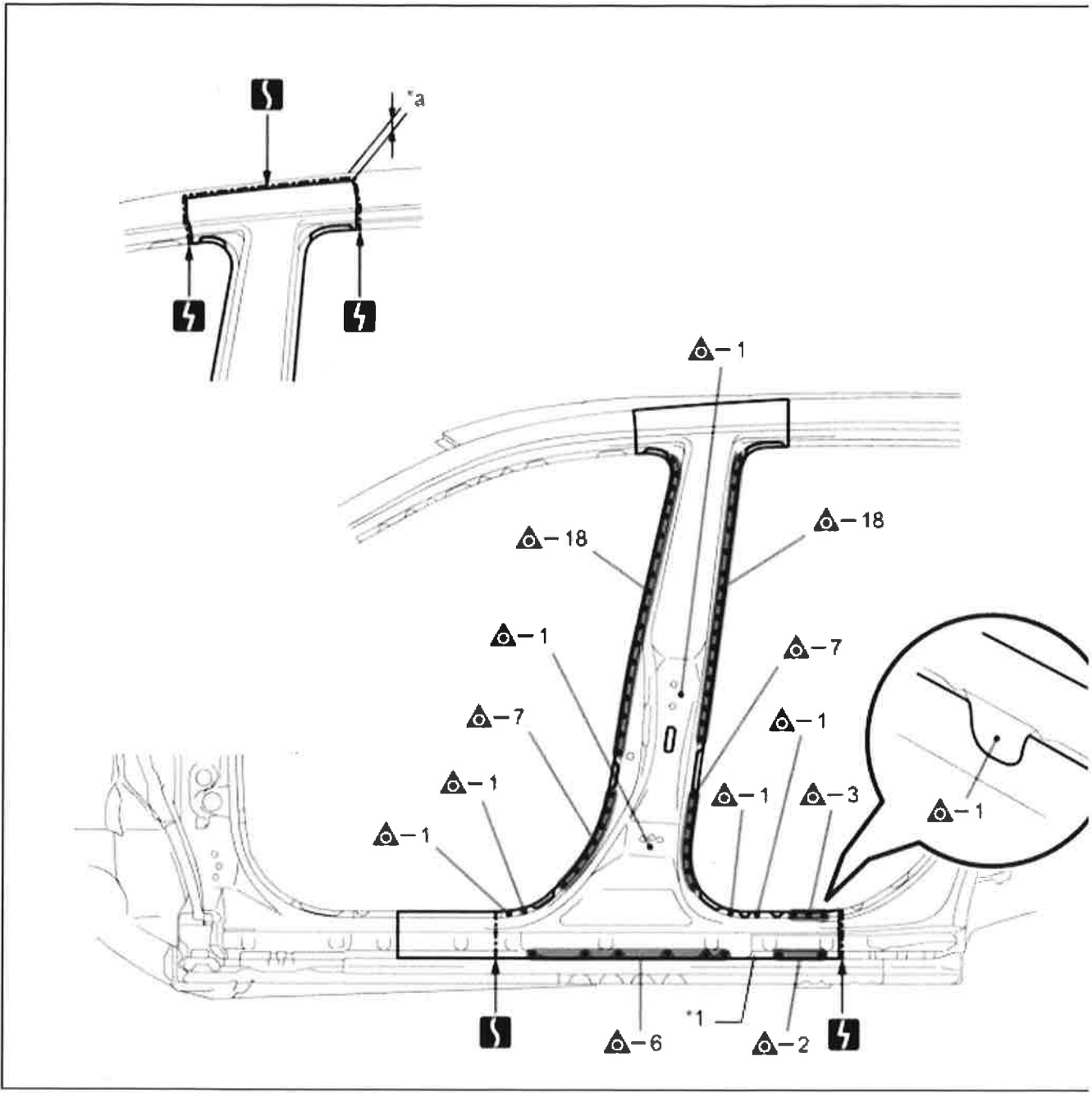
HINT:

In cases where the adhesive cannot be removed with a cut chisel, heat the adhesive with an industrial heater gun or gas burner taking care not to cause panel deformation by overheating.

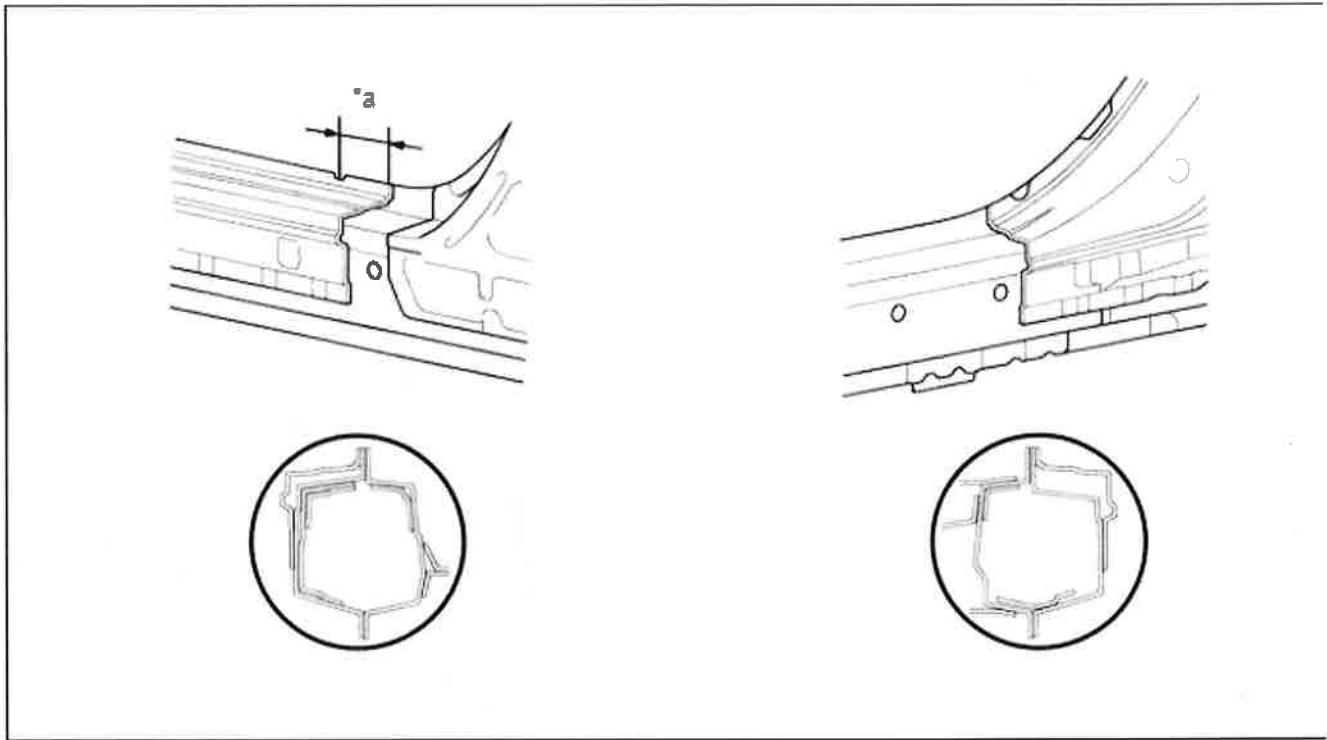


	Adhesive	-	-
---	----------	---	---

(c) Remove the center body pillar outer.



*1	CENTER BODY PILLAR OUTER	-	-
*a	20 mm (0.79 in.)	-	-

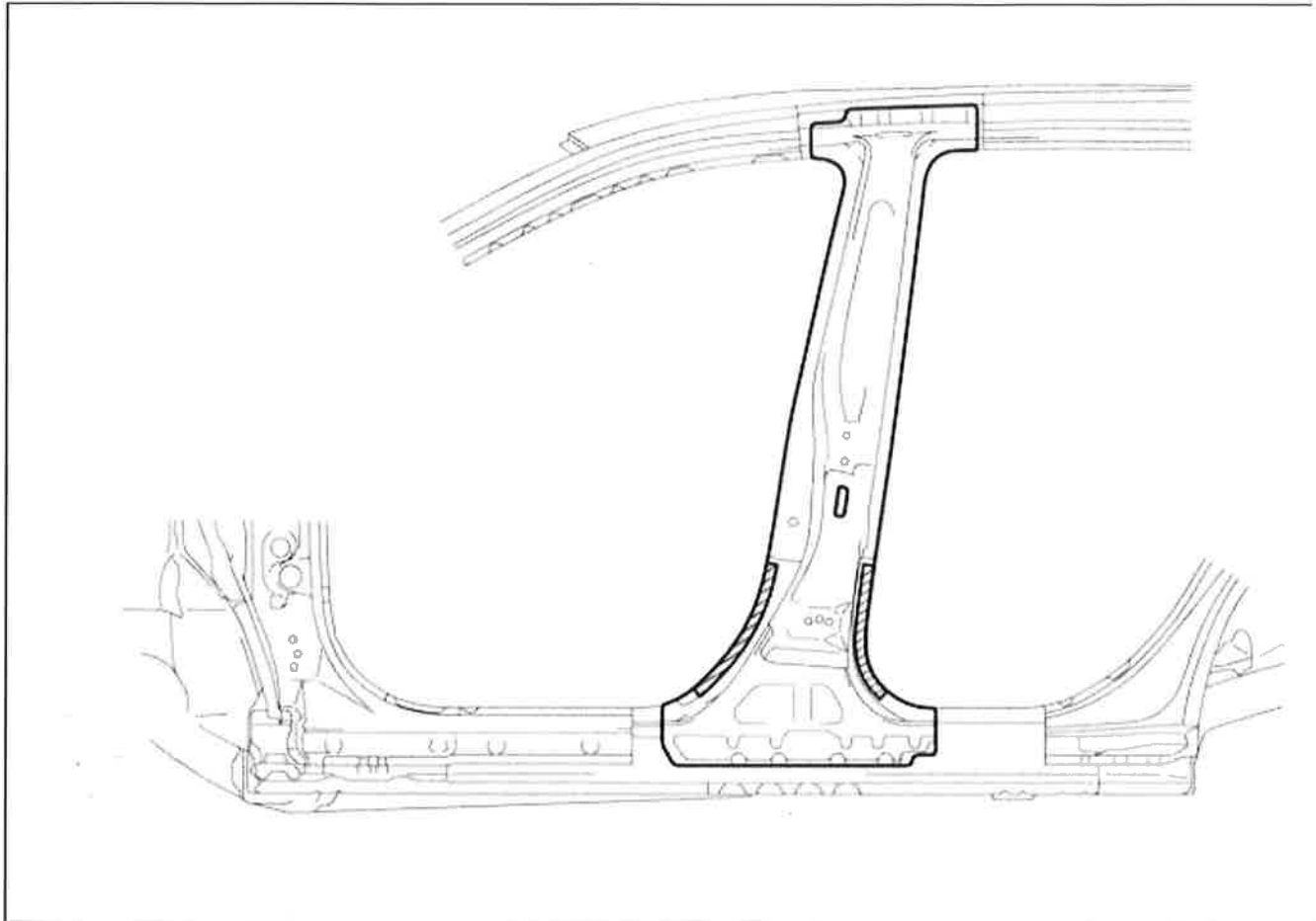


*a	85 mm (3.35 in.)	-	-
----	------------------	---	---

(d) Roughly cut open the panel so that the adhesive can be reached. Cut through the adhesive with a cut c to remove the panel.

HINT:

In cases where the adhesive cannot be removed with a cut chisel, heat the adhesive with an industrial heater gun or gas burner taking care not to cause panel deformation by overheating.



	Adhesive	-	-
---	----------	---	---

(e) Remove the center body pillar reinforcement sub-assembly.

