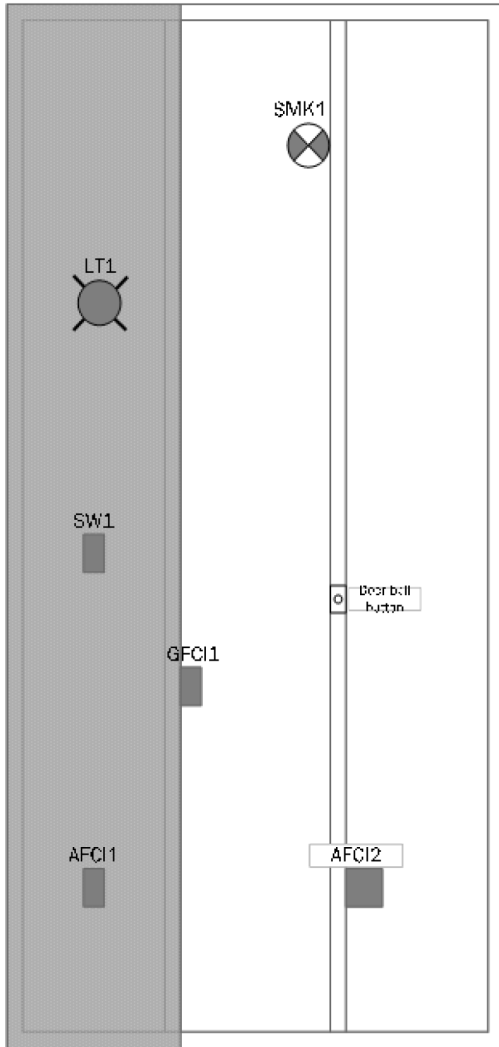


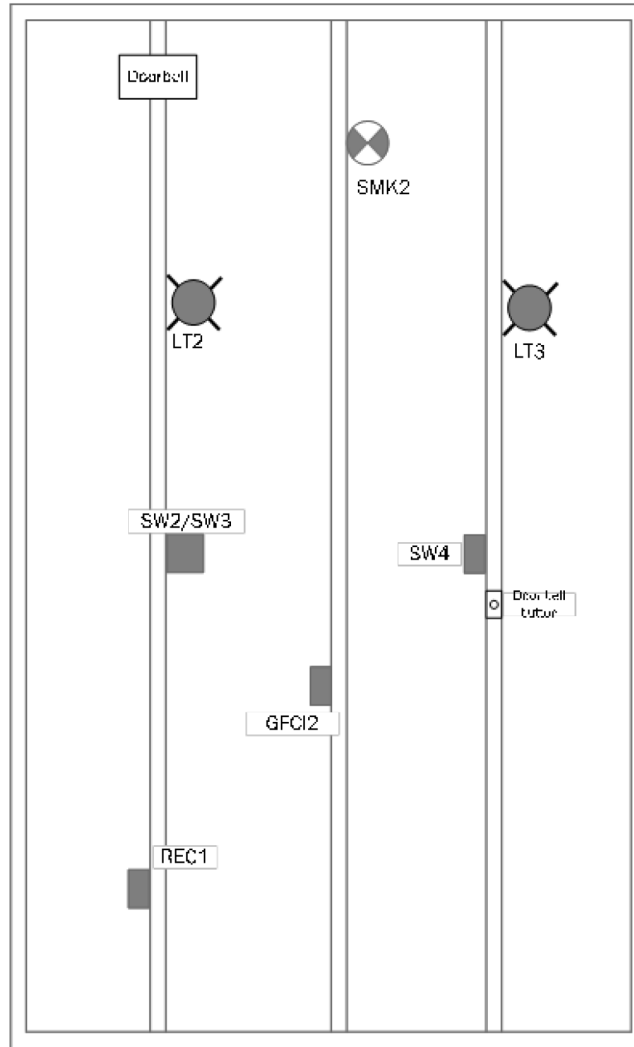
SNCN20-Electrical Installations

Secondary

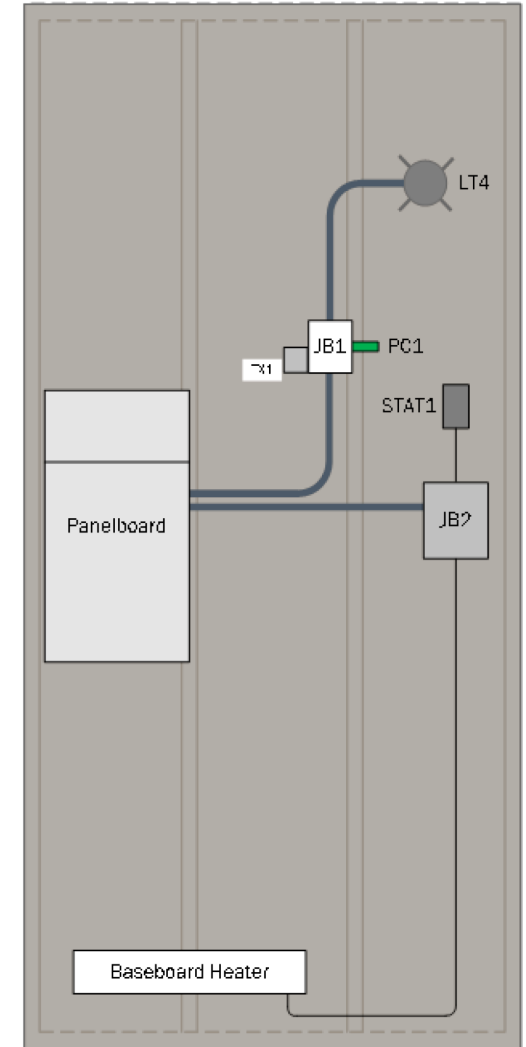
Competition Layout



Left Wall



Center Wall



Right Wall