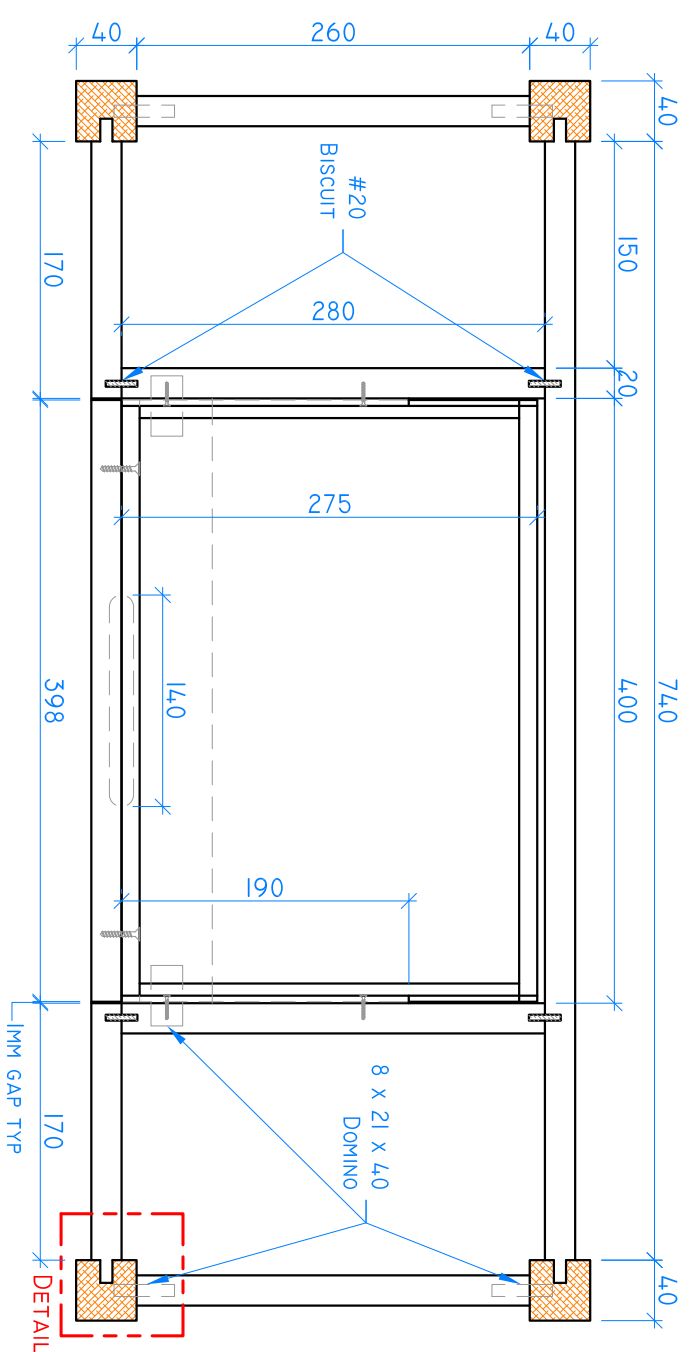
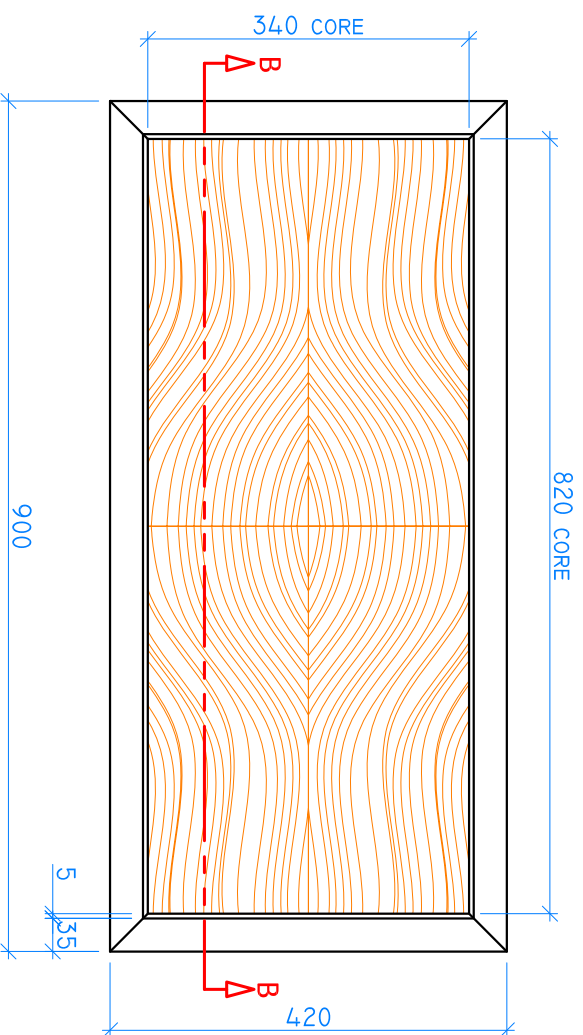
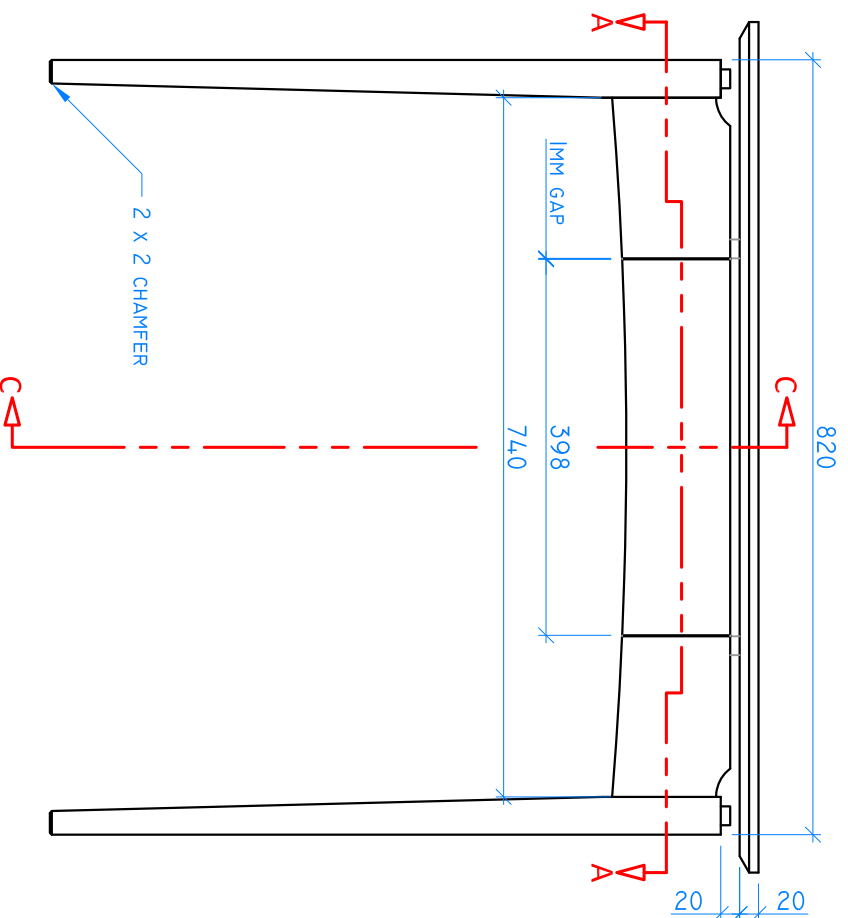


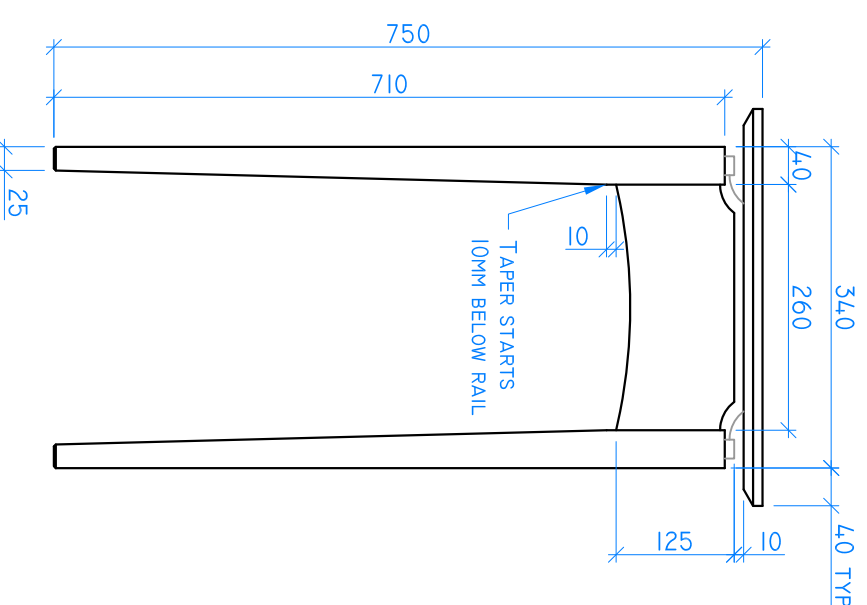
NOTE:
DRAWINGS FOR TRAINING PURPOSES ONLY
COMPETITION PROJECT MAY HAVE UP TO 30% CHANGE



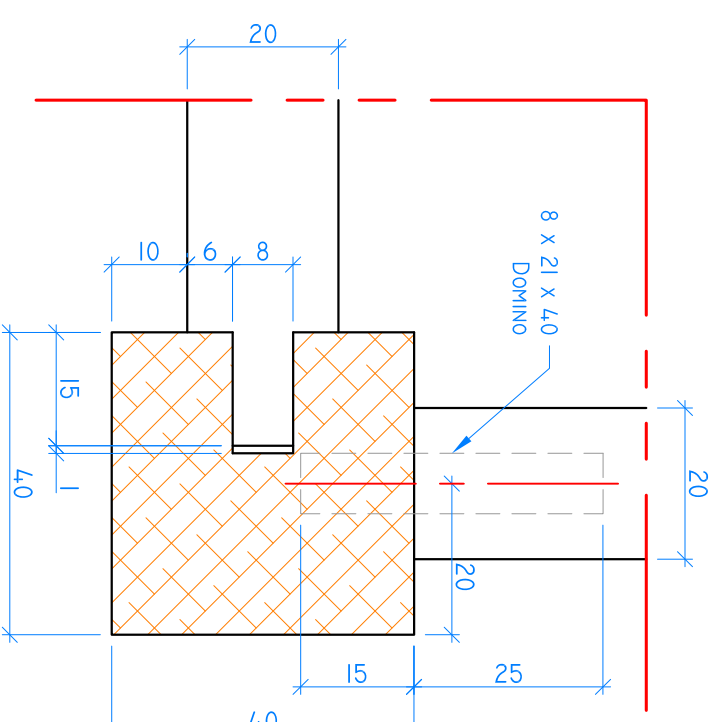
SECTION A : A SCALE 1 : 5



TOP, FRONT AND RIGHT SIDE VIEWS



SCALE 1 : 8



DETAIL 1 SCALE 1 : 1



NOTES:

TOP - 19MM MDF CORE WITH 4-WAY DIAMOND VENEER MATCH, MITRED EDGING MADE UP OF CHERRY & MAPLE HARDWOODS, FRAME - CHERRY HARDWOOD MORTISE AND TENON JOINERY TO BE MARKED PRIOR TO ASSEMBLY, DOMINO AND BISCUIT JOINERY AS SHOWN

DRAWER - SLIDES ON WOODEN RUNNERS AS SHOWN, DOVETAILED JOINERY TO BE MARKED PRIOR TO ASSEMBLY

PROJECT:
Floating Top Table

LEVEL:
Team Canada Selection Event

Drawing Description
Orthographic Views
Section A : A

DATE:

Dec. 20, 2021

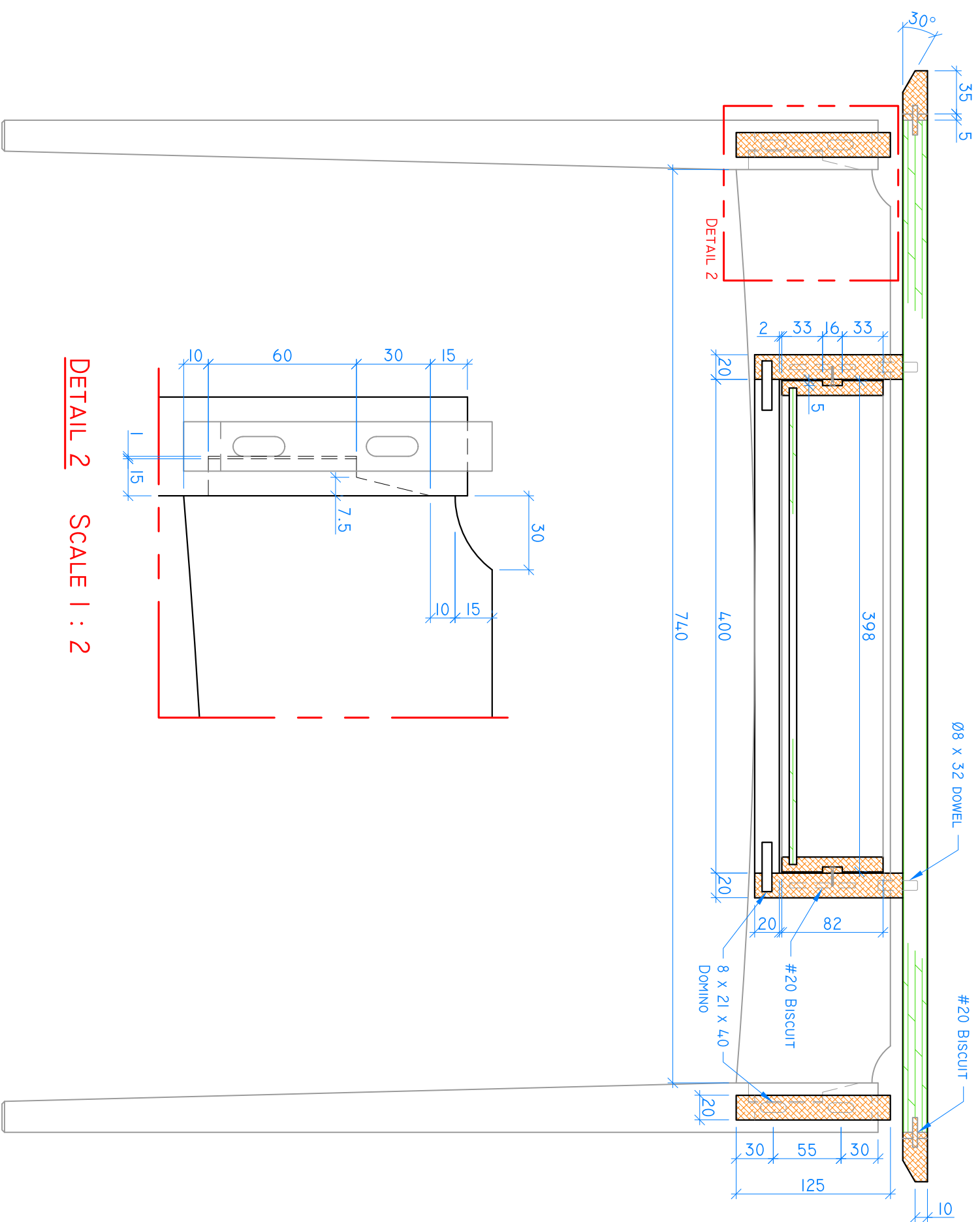
SCALE:

As Noted

DRAWN BY:

HB

SHEET:



DETAIL 2 SCALE 1 : 2

SECTION B : B SCALE 1 : 4



NOTES:

TOP - 19MM MDF CORE WITH VENEER BOTH SIDES
 EDGING - 35MM CHERRY SOLID WITH 5MM MAPLE ACCENT STRIP

FRAME JOINERY:

SIDE RAILS - 8X21X40 DOMINOS
 INTERIOR RAILS - #20 BISCUITS
 FRONT AND BACK RAILS - MORTISE AND TENON
 BACK RAIL AND LEG M&T JOINTS TO BE MARKED PRIOR TO ASSEMBLY

PATTERNS WILL BE PROVIDED FOR ALL CURVED RAILS

PROJECT:
 Floating Top Table

LEVEL:
 Team Canada Selection Event

Drawing Description
 Section B : B

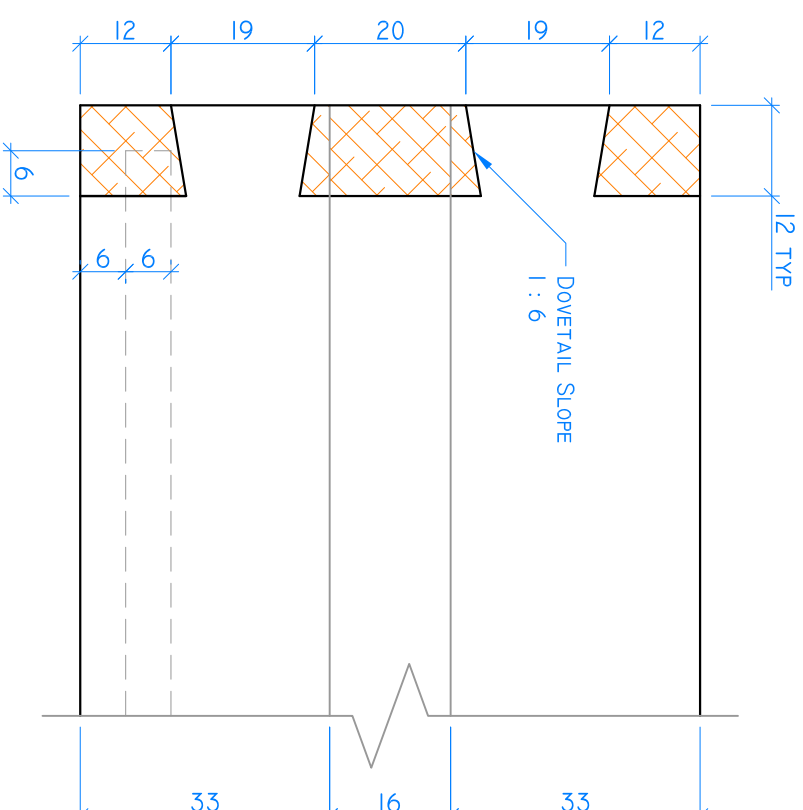
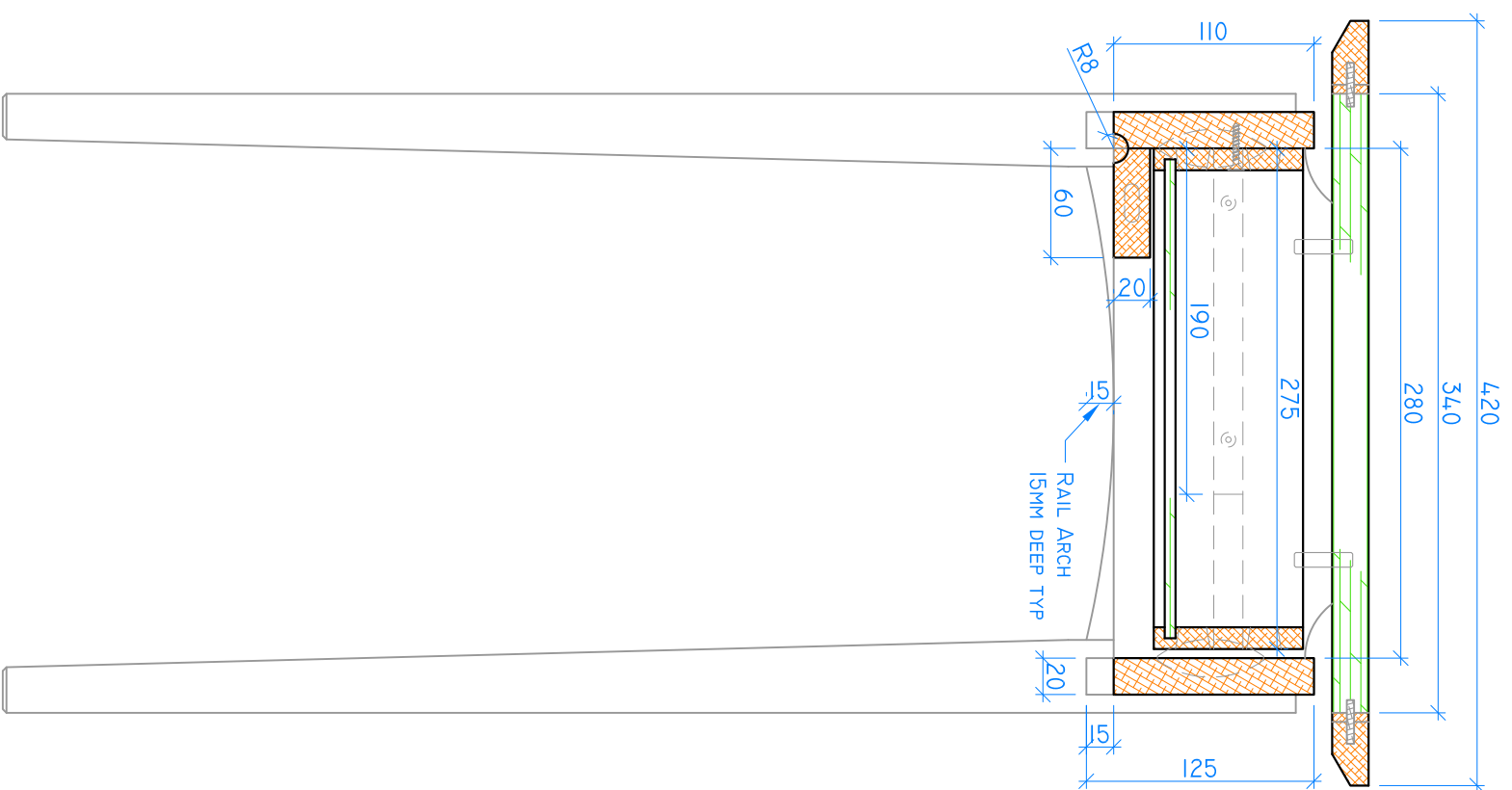
DATE:
 Dec. 20, 2021

SCALE:
 As Noted

DRAWN BY:
 HB

SHEET:
 2 of 4

*NOTE:
 DRAWINGS FOR TRAINING PURPOSES ONLY
 COMPETITION PROJECT MAY HAVE UP TO 30% CHANGE*



DOVETAIL DRAWER DETAIL SCALE 1 : 2
 - TYPICAL ALL 4 CORNERS

SECTION C : C SCALE 1 : 4



NOTES:
 DOVETAIL DRAWER -
 *DOVETAIL JOINERY TO BE
 MARKED PRIOR TO ASSEMBLY*
 PARTS TO BE HANDED IN LOOSE
 WITH CLEAR LABELING FOR
 ORIENTATION

PROJECT:
 Floating Top
 Table

LEVEL:
 Team Canada
 Selection Event

Drawing Description
 Section C : C
 Dovetail Dwr Detail

DATE:

Dec. 20, 2021

SCALE:

As Noted

DRAWN BY:

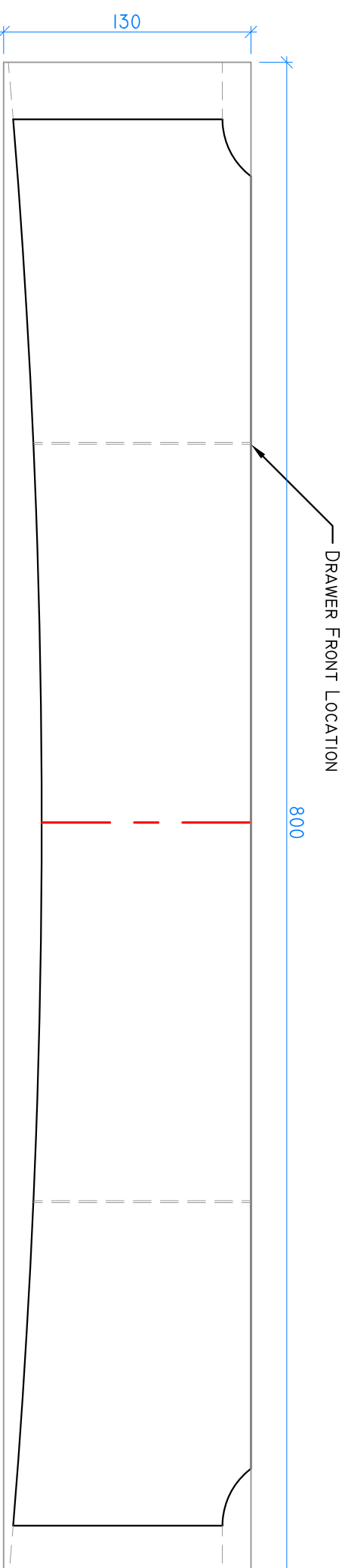
HB

SHEET:

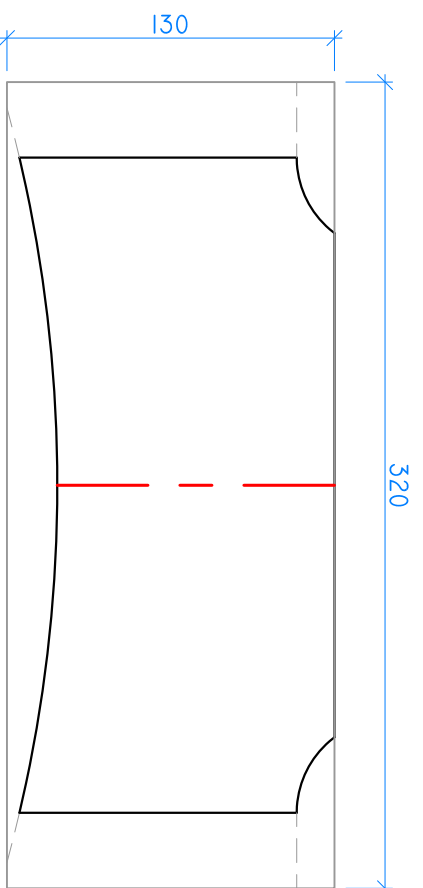
3 of 4

NOTE:
 DRAWINGS FOR TRAINING PURPOSES ONLY
 COMPETITION PROJECT MAY HAVE UP TO 30% CHANGE

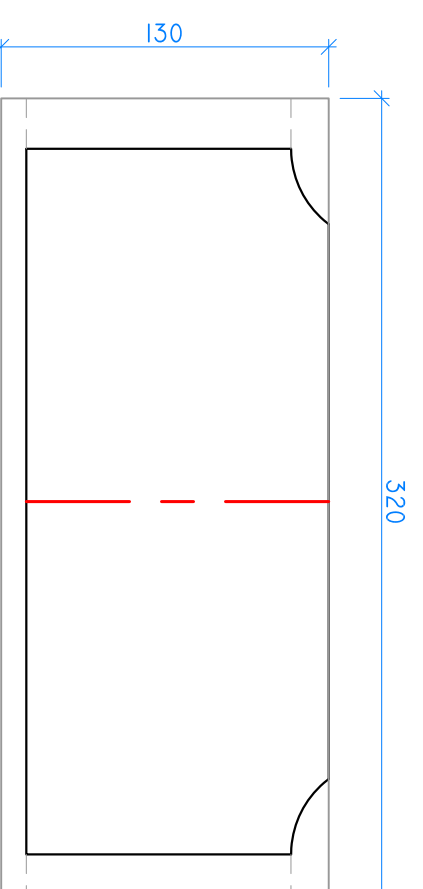
NOTES:
 RAILS PATTERNS SUPPLIED IN
 6MM MDF FOR LAYOUT PURPOSES
 CENTRE AND SHOULDER LINES
 WILL BE INCISED LINES



FRONT AND BACK RAILS STARTING BLANK, CHERRY SOLID - 20 X 130 X 800



SIDE RAILS
 STARTING BLANK, CHERRY SOLID
 - 20 X 130 X 320



INTERIOR RAILS
 STARTING BLANK, CHERRY SOLID
 - 20 X 130 X 320

NOTE:
 DRAWINGS FOR TRAINING PURPOSES ONLY
 COMPETITION PROJECT MAY HAVE UP TO 30% CHANGE

PROJECT:	Floating Top Table
LEVEL:	Team Canada Selection Event
Drawing Description	Rail Patterns
DATE:	Dec. 20, 2021
SCALE:	1 : 3
DRAWN BY:	HB
SHEET:	4 of 4