



APPENDIX C

# Mobile Robotics

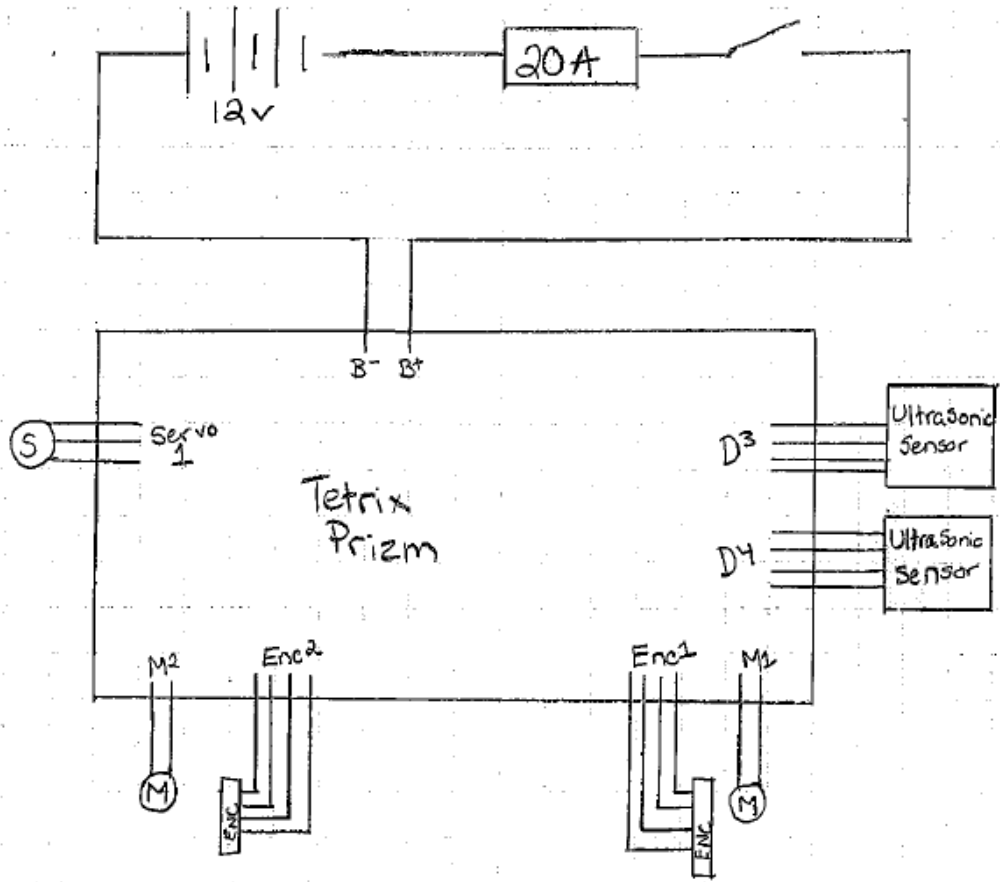
SECONDARY

## Appendix C: Sample Wiring Diagrams

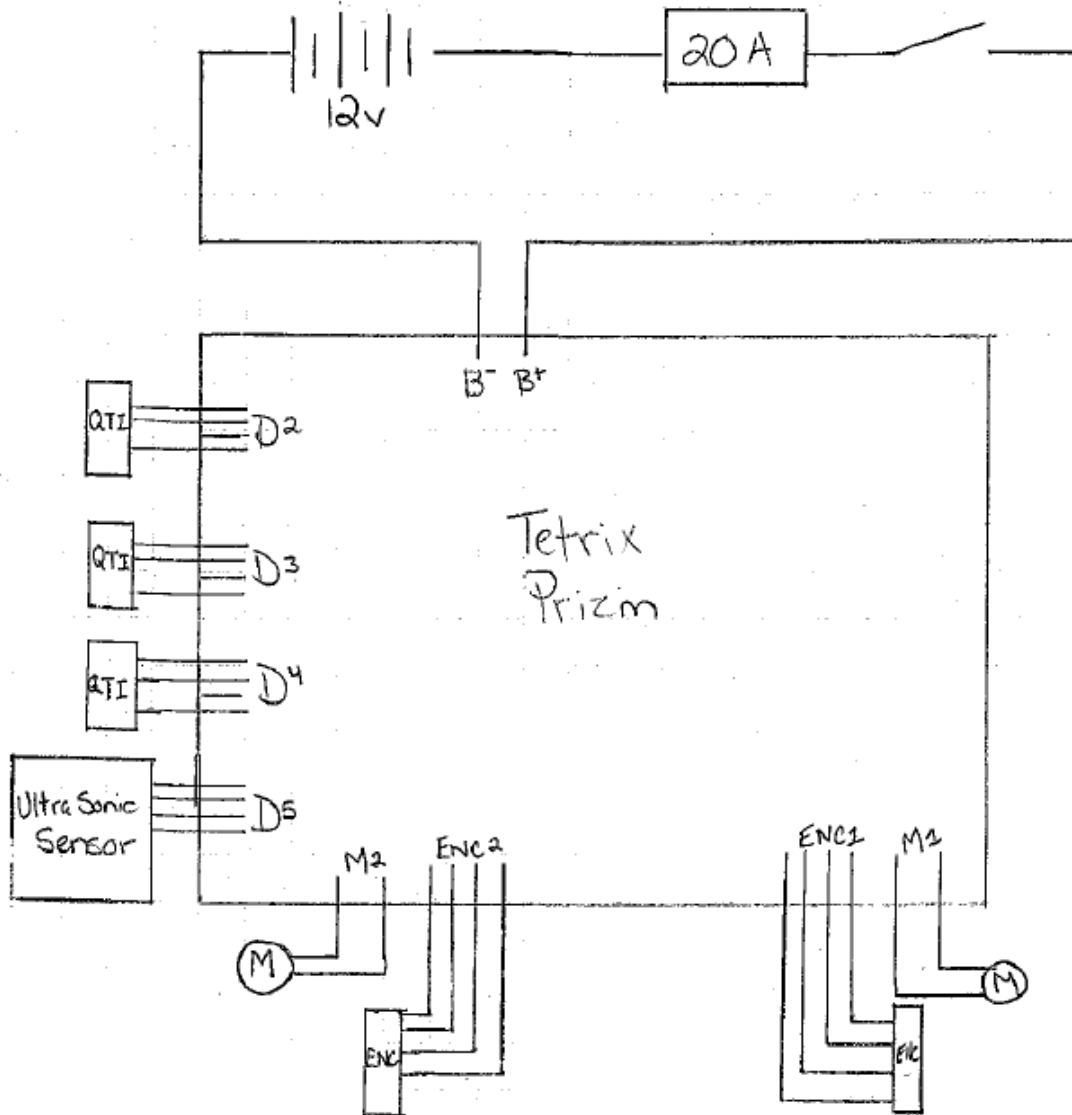
Sample Acceptable Wiring Diagrams:

Example #1:

*Terry / wiring Diagram*



# Big Wiggy / Wiring Diagram



WRITING



READING

Wayne / wiring diagram

