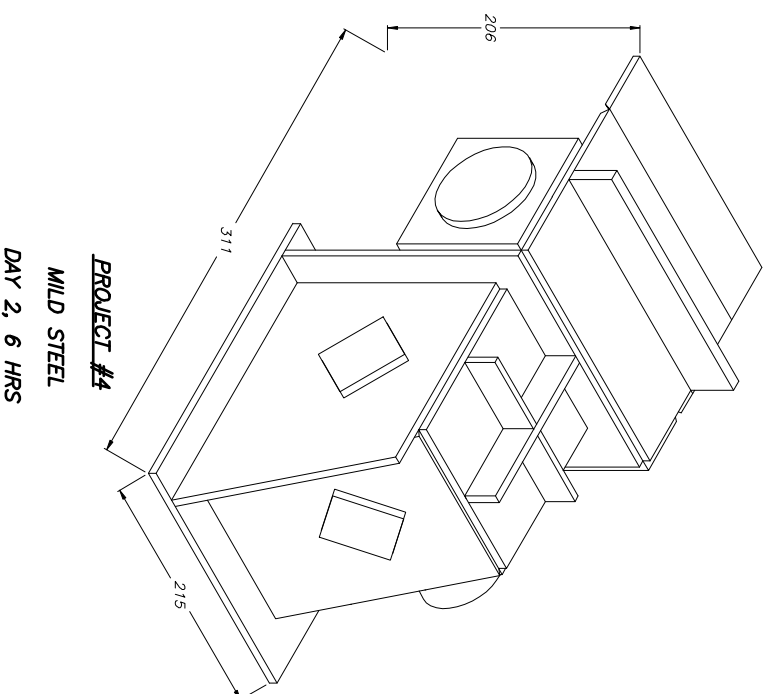
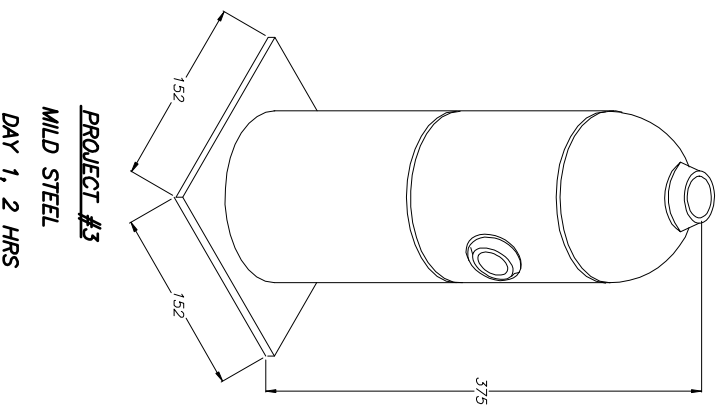
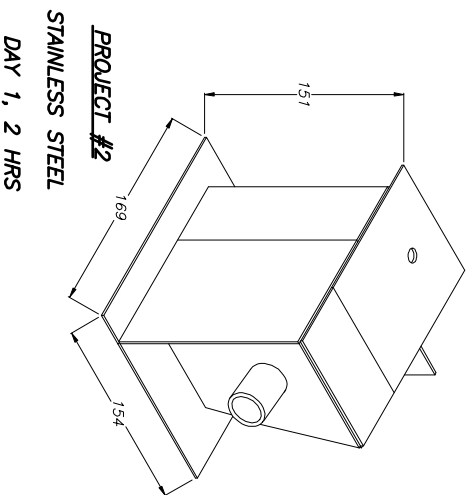
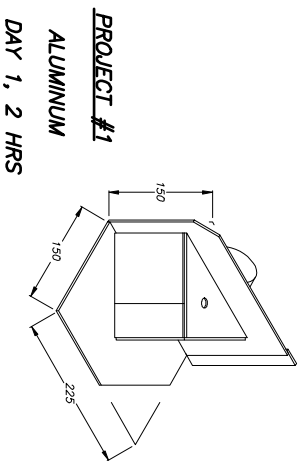


CANADIAN SKILLS COMPETITION 2012  
WELDING PROJECTS  
 POST-SECONDARY



THE NATIONAL TECHNICAL COMMITTEE RESERVES THE  
 RIGHT TO MAKE CHANGES TO THE PROJECTS

ALL DIMENSIONS IN MILLIMETRES

DO NOT SCALE DRAWING



PART NAME: SKILLS CANADA – POST SECONDARY  
 DRAWN BY: John Krotsenbrunner  
 DATE: 23-11-2011

SCALE: NONE

DWG. NO.: CPS-Projects