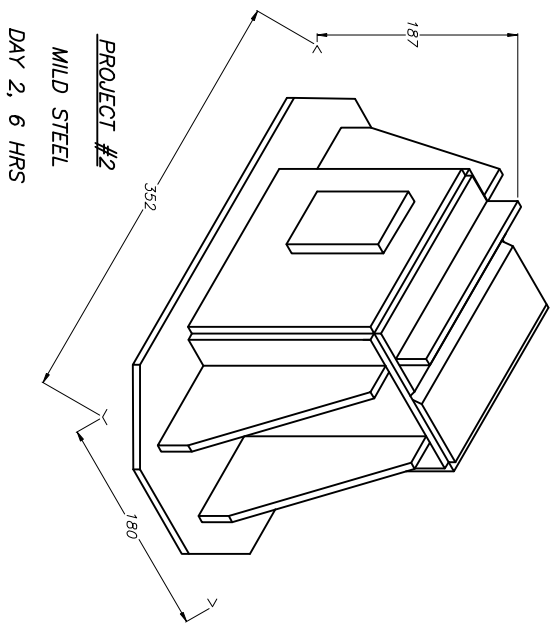
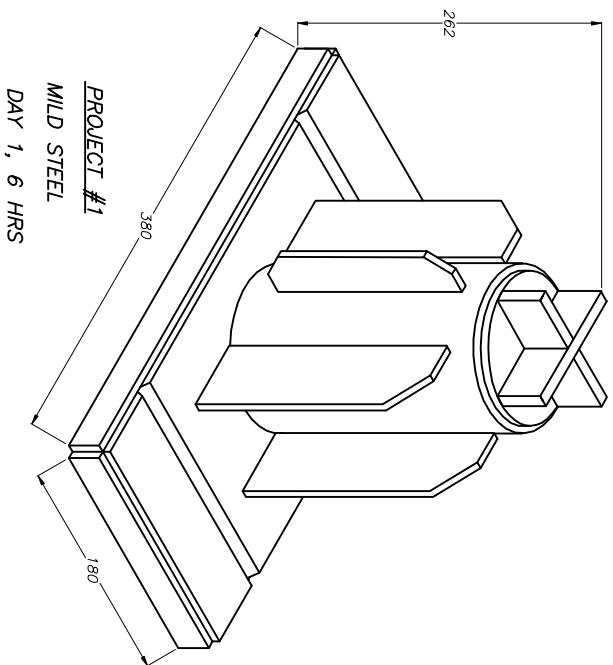




CANADIAN SKILLS COMPETITION 2012
WELDING PROJECTS
SECONDARY



THE NATIONAL TECHNICAL COMMITTEE RESERVES THE
RIGHT TO MAKE CHANGES TO THE PROJECTS

ALL DIMENSIONS IN MILLIMETRES

DO NOT SCALE DRAWING

		PART NAME: SKILLS CANADA – SECONDARY	DWG. NO.: CS-Projects
kroisenbrunner@technical.com		DRAWN BY: John Kroisenbrunner	
		DATE: 23-11-2011	
		SCALE: NONE	