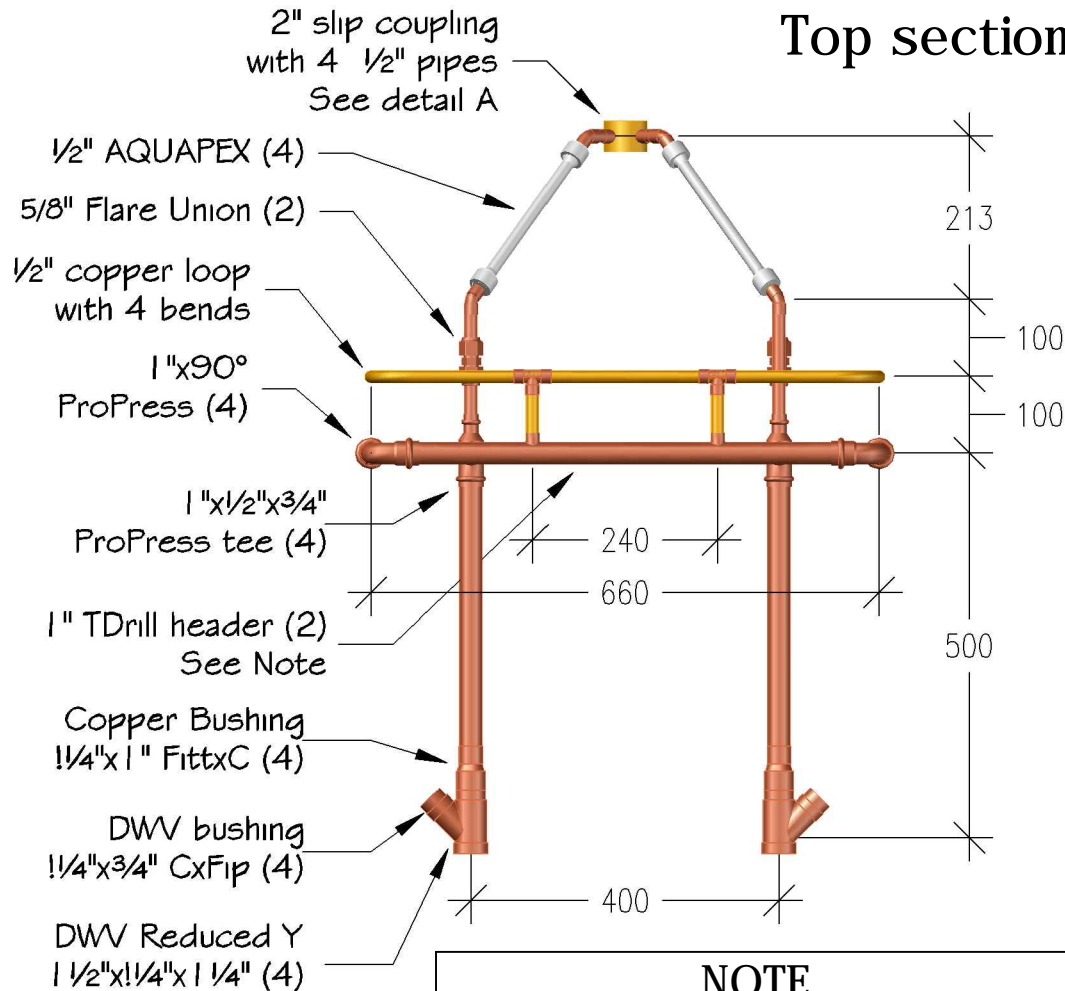


Top section

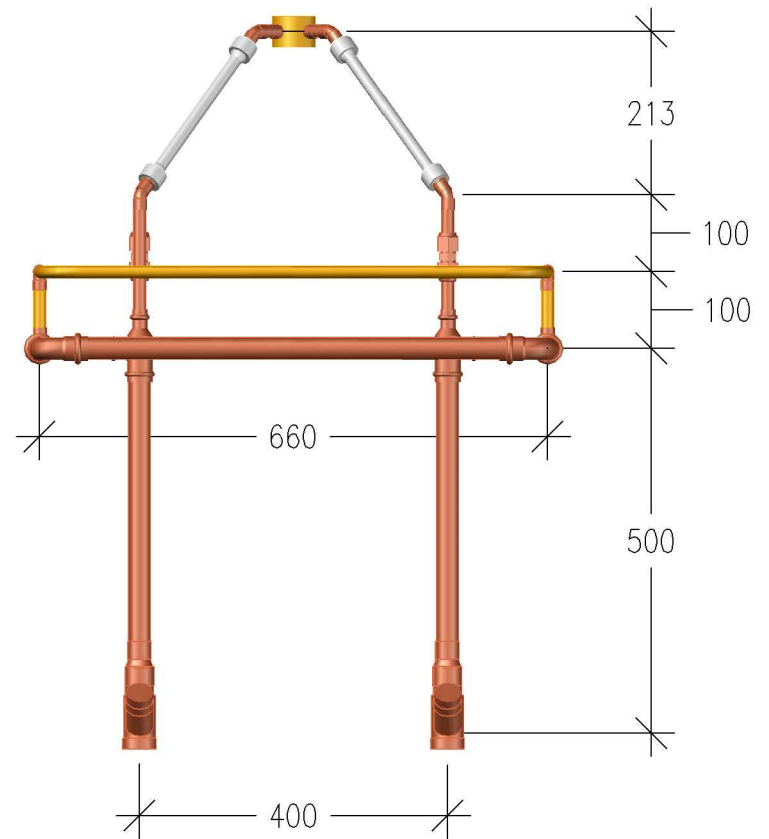


NOTE
 The 1" TDrill header has 4 extruded connections. (1/2" and 3/4")
 These 4 joints must be brazed.

Front view
 (Rear view is identical)

No scale

Top section

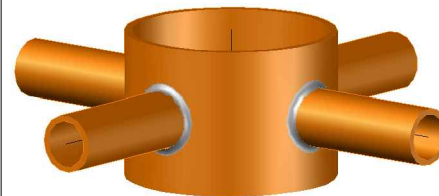


Right view
 (Left view is identical)

No scale

18TH SKILLS CANADA
 NATIONAL COMPETITION
 EDMONTON (2012)

Detail A
 2" Slip coupling with 4 1/2" copper pipes brazed on.
 (Provided by the organization)
 This coupling slips on the 2" pipe to center it. (No 2" soldered joint)



Test project
 Plumbing (15)
 No scale Page 6
 Drawing by : J. Cormier
 March 2012