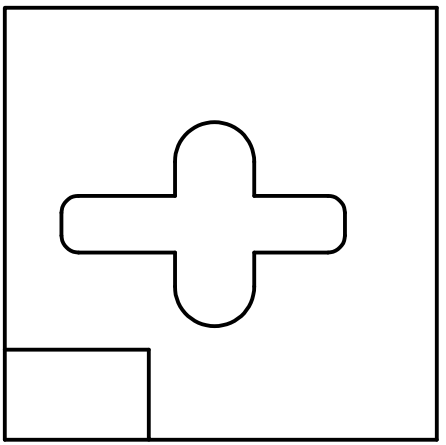
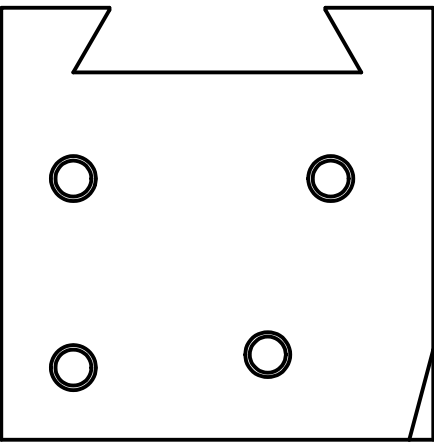
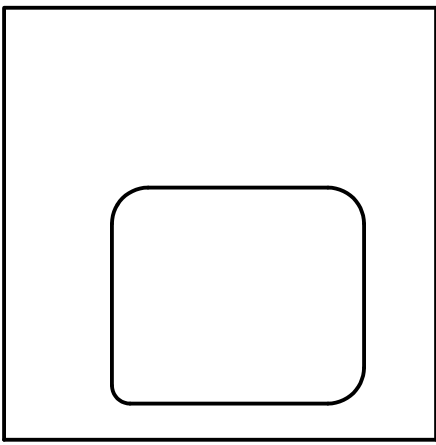
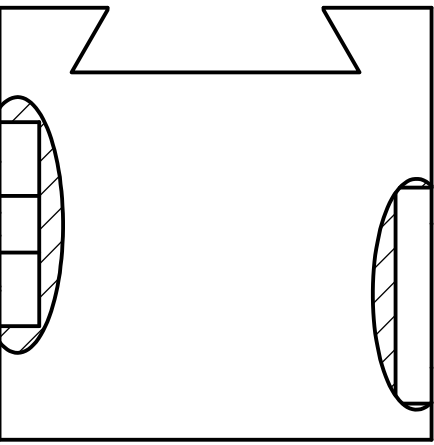
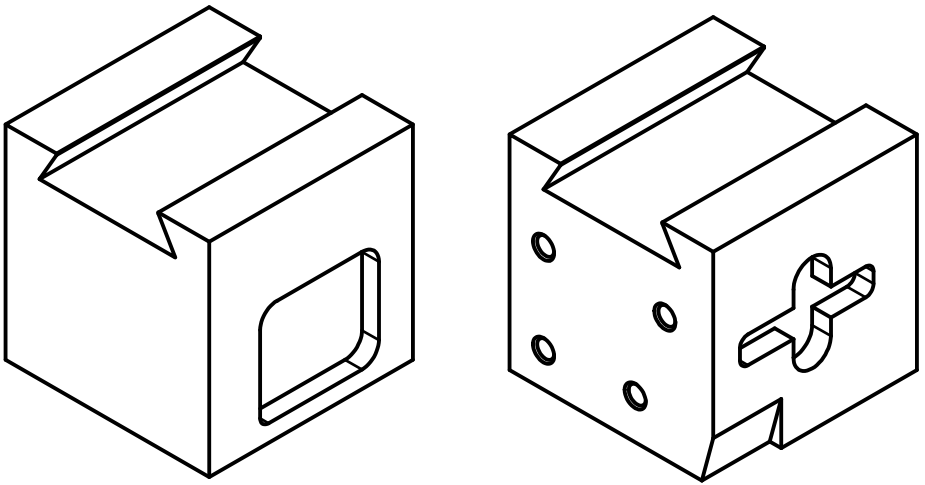


4 3 2 1


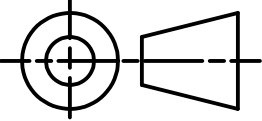


B

B

A

A

<p>This drawing and the information heron are the property of Skills Canada and may be used by only Skills Canada. All rights reserved under copyright laws ©</p>	<p>UNLESS OTHERWISE SPECIFIED DIMENSIONS ARE IN INCHES TOL ON ANGLE $\pm 1^\circ$ TOL ON FRACTION $\pm 1/32$ X.X ± 0.03 X.XX ± 0.01 X.XXX ± 0.005 INTERPRET DIM AND TOL PER ASME Y14.5M-1994 BREAK ALL CONERS R1/64 FILLETS R1/32</p>	<p>DRAWN Phillip Townsend 12/14/2011</p>			
		<p>CHECKED</p>			
		<p>QA</p>			
		<p>MFG</p>			
		<p>APPROVED</p>	<p>HARDNESS 100 Bhn</p>	<p>SIZE B</p>	<p>COMPETITION NAT-12</p>
	<p>MATERIAL 6061-T6 Square Bar</p>	<p>SCALE NONE</p>	<p>SHEET 1 OF 1</p>		
<p>SIZE 3"x3"x3 1/4"</p>					

A

A

4

3

2

1

A