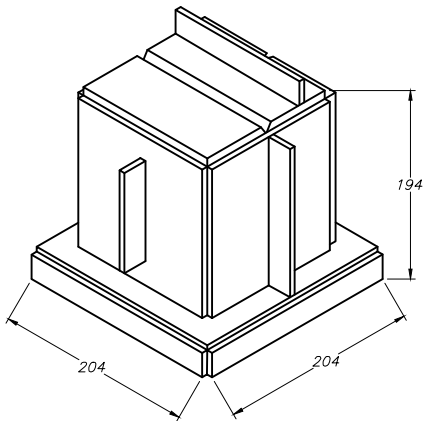
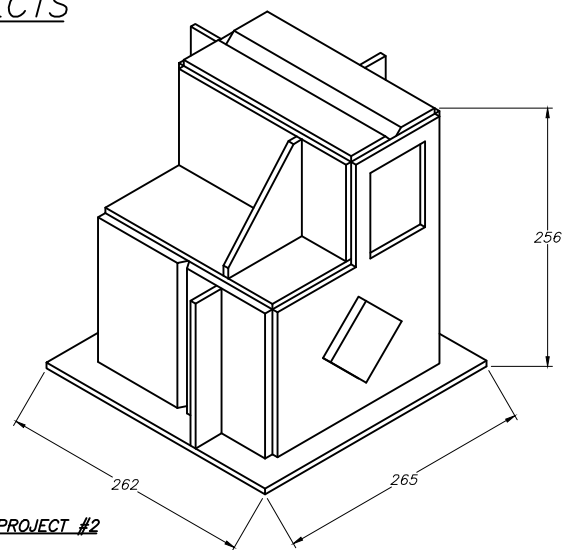


CANADIAN SKILLS COMPETITION 2014
WELDING PROJECTS
 SECONDARY



PROJECT #1
 MILD STEEL
 DAY 1, 6 HRS



PROJECT #2
 MILD STEEL
 DAY 2, 6 HRS

THE NATIONAL TECHNICAL COMMITTEE RESERVES THE RIGHT
 TO MAKE CHANGES TO THE PROJECTS

DO NOT SCALE DRAWING



ALL DIMENSIONS IN MILLIMETRES

PART NAME: SKILLS CANADA – SECONDARY		
DRAWN BY: John Kroisenbrunner	SCALE: NONE	DWG.NO.: CS-Projects
DATE: 20-1-2014		