



SkillsCompétences
Canada
Moncton2016

MECHANICAL CADD DESSIN INDUSTRIEL CDAO

TEST PROJECT - DAY 2 PM
PROJET D'ÉPREUVE – JOUR 2 APRÈS MIDI

SECONDARY
NIVEAU SECONDAIRE

CONTINUOUS LEARNING



FORMATION CONTINUE

DIGITAL



COMPÉTENCES NUMÉRIQUES

DOCUMENT USE



UTILISATION DE DOCUMENTS

NUMERACY



CALCUL

ORAL COMMUNICATION



COMMUNICATION ORALE

READING TEXT



LECTURE

WORKING WITH OTHERS



TRAVAIL D'ÉQUIPE

WRITING



RÉDACTION

THINKING

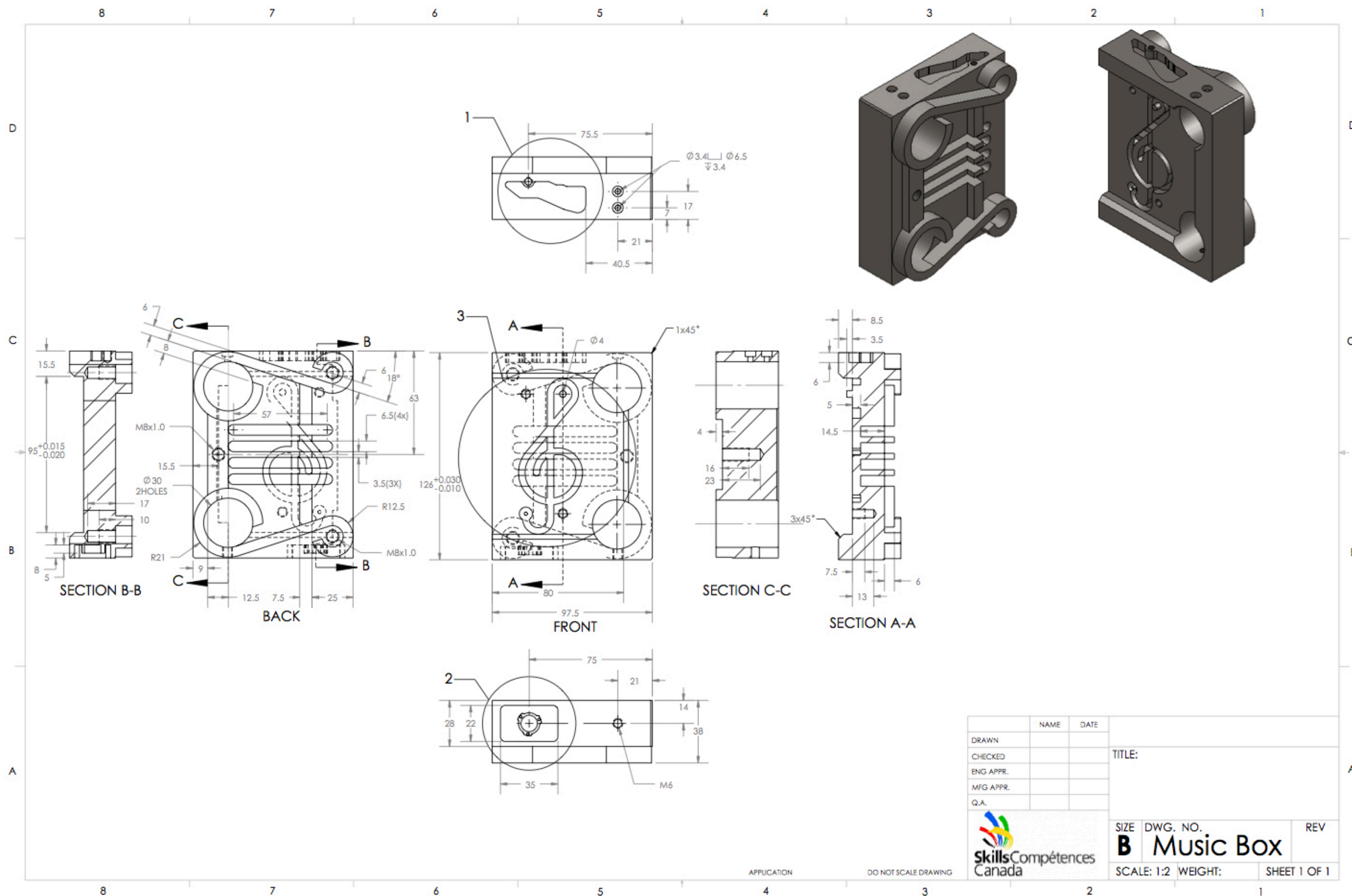


CAPACITÉ DE RAISONNEMENT

Project: Drawing Interpretation and Modeling (Day 2 PM)
Level: Secondary
Time: 3 Hours
Marks: 25 points

1. Given
Music Box drawing. (included)
Detail drawings will be disclosed at SCNC 2016.
Bring Model file to competition.
2. Task:
 - 2.1 Finish modeling the 3D model of the Music Box.
 - 2.2 Recreate the detail drawing of the Music Box.
The detail drawing must show must show the same views and dimensions as the drawing included.
Use your ANSI B drawing template (with Skills Canada logo)
3. Output:
 - 3.1 Create a PDF file of your final detail drawing.
Name your file: ### Day2 PM.pdf
(### is your unique contestant number.)
4. General:
 - 4.1 Each task is independent of the others – partial marks are assigned for attempting a task.
 - 4.2 You are to use your own discretion in determining details that may not be clear to you.
 - 4.3 Judges will not answer questions pertaining to the project once started.
 - 4.4 Do not include any part of your name, province/territory in your documents or when naming your files and folders being submitted. Any file identified by any part of a contestant's name or province/territory will not be judged.
 - 4.5 When finished working on a project, do not close project files or turn off your computer. Judges may wish to view or mark your work on screen.
 - 4.6 Do not leave the competition area as the judges may require your assistance with your work.
 - 4.7 Contestants must copy the pdf files on to their USB memory device and submit their USB device to the judges when finished this project.
5. Assessment:

Task 2.1 Music Box model	10 points
Task 2.2 Music Box detail drawing	15 points
Total	25 point



	NAME	DATE		
DRAWN			TITLE:	
CHECKED				
ENG APPR.				
MFG APPR.				
Q.A.				
	SIZE	DWG. NO.	REV	
	B	Music Box		
	SCALE: 1:2	WEIGHT:	SHEET 1 OF 1	

APPLICATION DO NOT SCALE DRAWING