



TEST PROJECT
PROJET D'ÉPREUVE

CARPENTRY CHARPENTERIE

POST-SECONDARY
NIVEAU POSTSECONDAIRE

CONTINUOUS LEARNING



FORMATION CONTINUE

DIGITAL



COMPÉTENCES NUMÉRIQUES

DOCUMENT USE



UTILISATION DE DOCUMENTS

NUMERACY



CALCUL

ORAL COMMUNICATION



COMMUNICATION ORALE

READING TEXT



LECTURE

WORKING WITH OTHERS



TRAVAIL D'ÉQUIPE

WRITING



RÉDACTION

THINKING



CAPACITÉ DE RAISONNEMENT



General Notes
FOR EDUCATIONAL
PURPOSE ONLY

1)

CONTENTS

- A1 - ISOMETRIC
- A2- PLANS
- A3- PLANS
- A4- ELEVATIONS
- A5- ELEVATIONS
- A6- SECTIONS
- A7- DETAILS
- A8- DETAILS
- A9- DETAILS
- A10- DETAILS

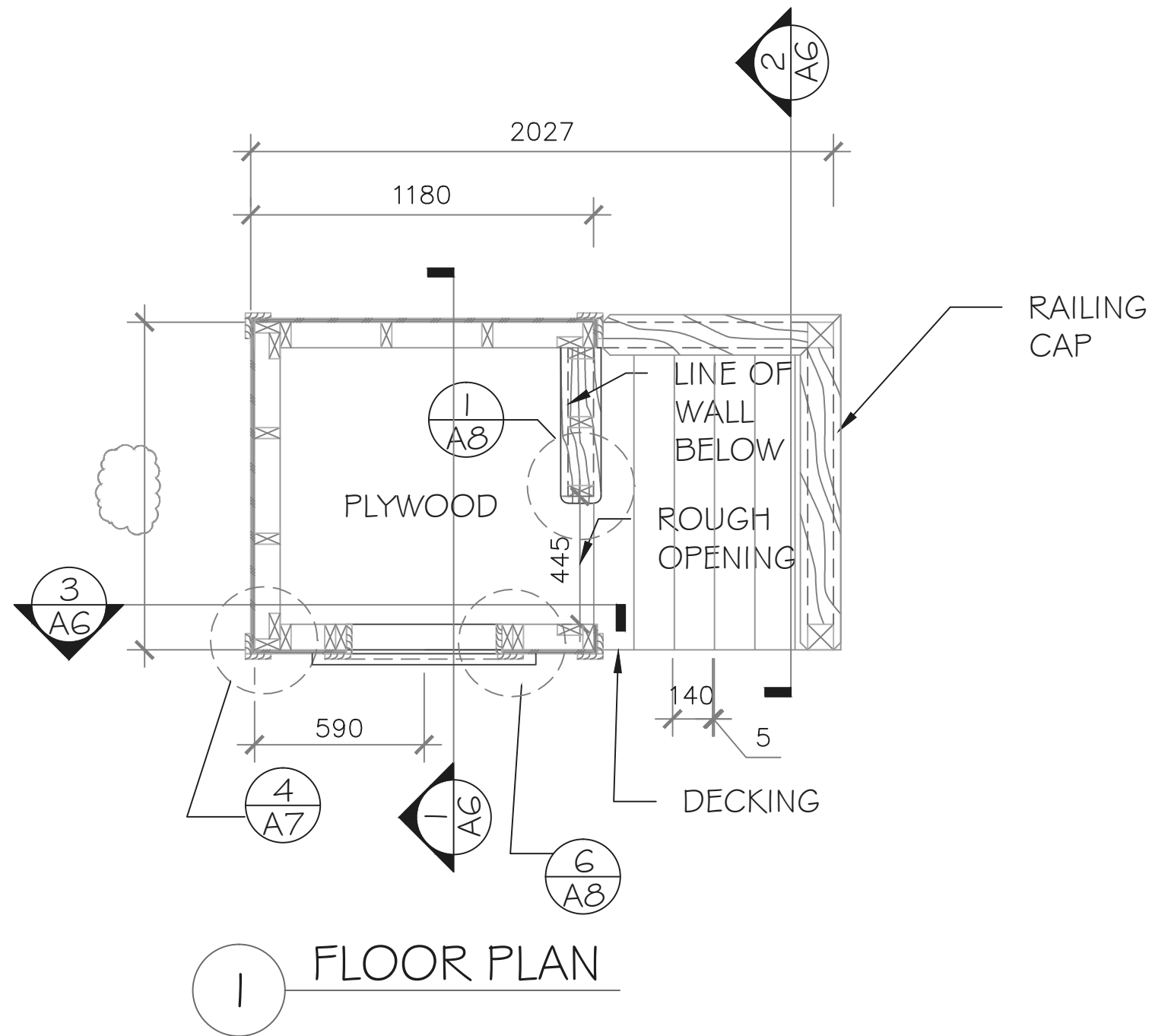
7	REVISIONS	JUN. 29
6	REVISIONS	JAN. 14
5	REVISIONS	JAN. 09
4	REVISIONS	DEC. 18
3	REVISIONS	DEC. 16
2	REVISIONS	DEC.12
1	DRAFT	NOV. 19
No.	Revision/Issue	Date

SKILLS
CANADA

CARPENTRY
POST
SECONDARY

ISOMETRIC
VERSION 2

DRAWN BY: D. DIMACALI	SHEET #
DATE: 06/29/2015	A1
SCALE: AS NOTED	



General Notes
FOR EDUCATIONAL
PURPOSE ONLY

- 1) All Sheathing Stock to be Verified on Site
- 2) No Sheathing for Roof
- 3) Finish/Soften all exposed edges
- 4) All framing at 400 o/c

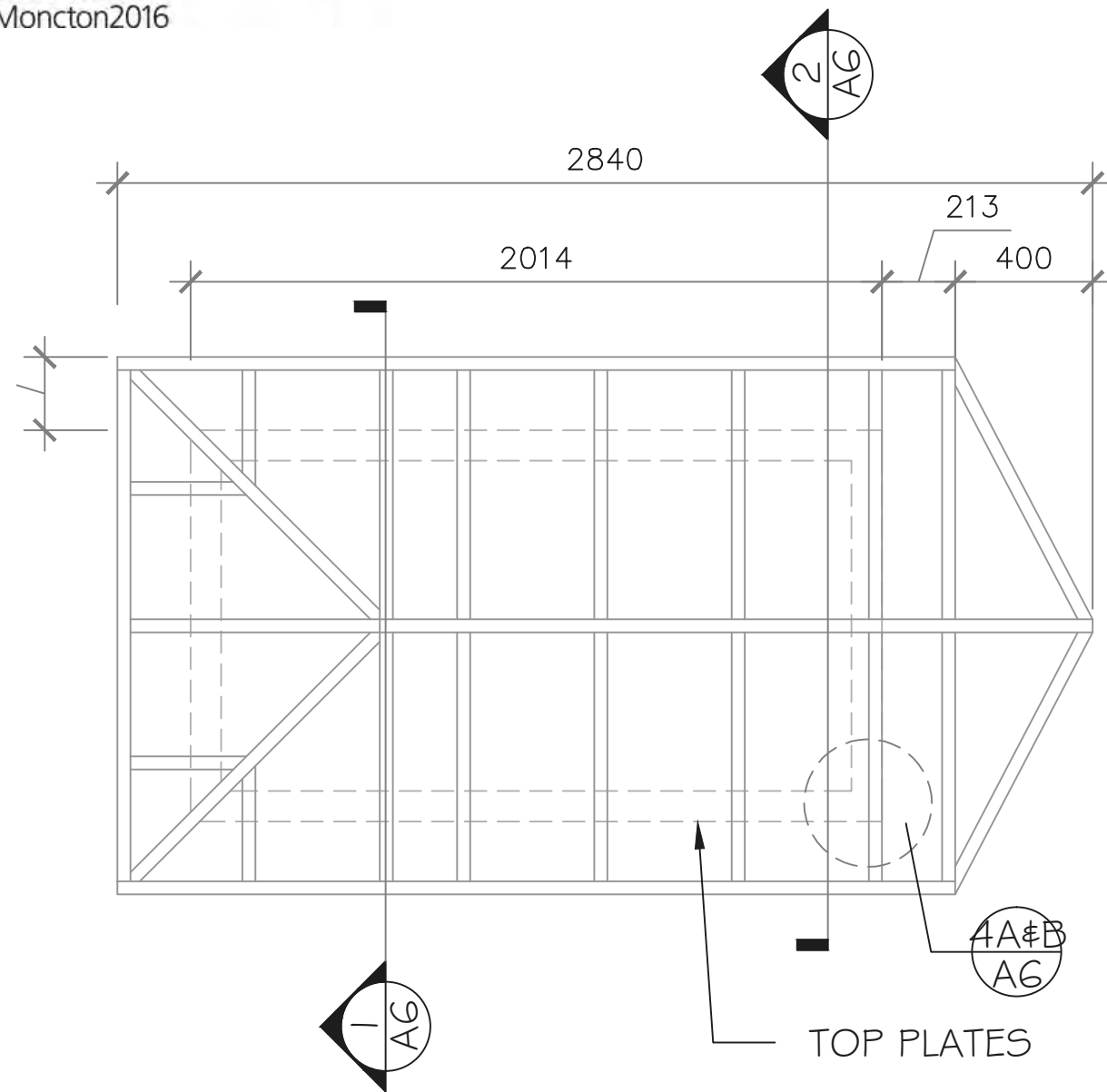
No.	Revision/Issue	Date
7	REVISIONS	JUN. 29
6	REVISIONS	JAN. 14
5	REVISIONS	JAN. 09
4	REVISIONS	DEC. 18
3	REVISIONS	DEC. 16
2	REVISIONS	DEC. 12
1	DRAFT	NOV. 19

SKILLS
CANADA

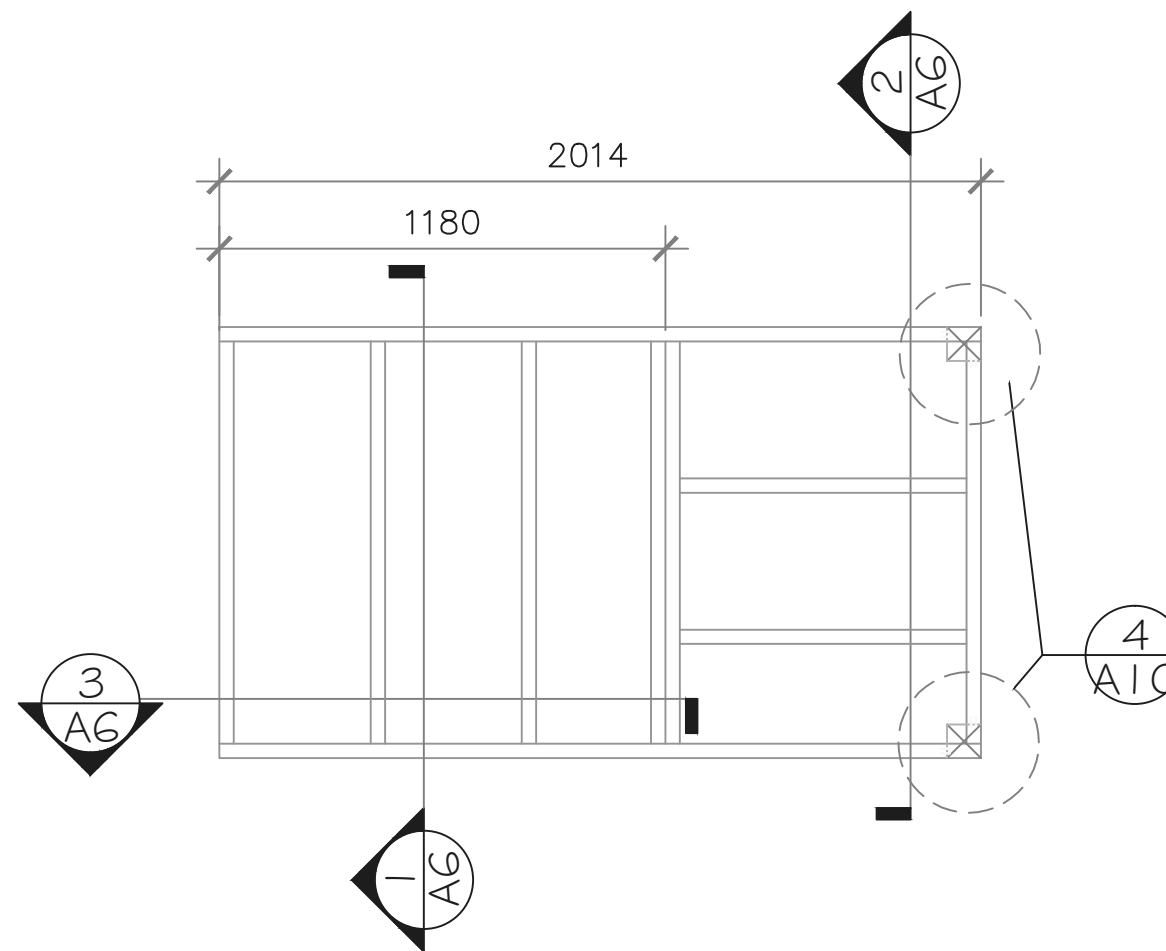
CARPENTRY
POST
SECONDARY

PLANS
VERSION 2

DRAWN BY: D. DIMACALI	SHEET #
DATE: 06/29/2015	A2
SCALE: AS NOTED	



1 ROOF FRAMING PLAN



2 FLOOR JOIST PLAN

General Notes
FOR EDUCATIONAL
PURPOSE ONLY

1)

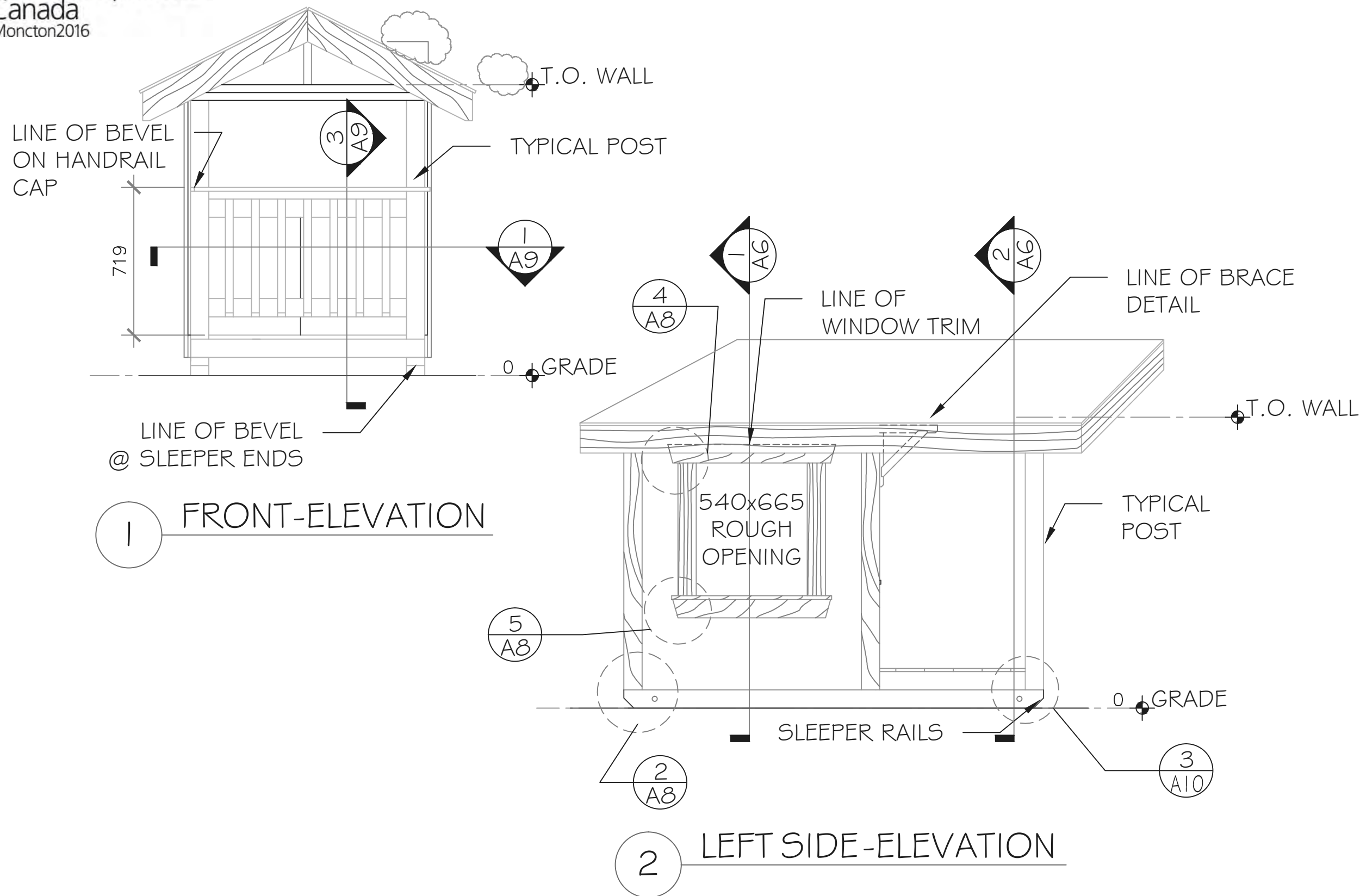
7	FINAL DRAFT	MAY. 19
6	REVISIONS	JAN. 14
5	REVISIONS	JAN. 09
4	REVISIONS	DEC. 18
3	REVISIONS	DEC. 16
2	REVISIONS	DEC.12
1	DRAFT	NOV. 19
No.	Revision/Issue	Date

SKILLS
CANADA

CARPENTRY
POST
SECONDARY

PLANS
VERSION 2

DRAWN BY: D. DIMACALI	SHEET #
DATE: 05/19/2015	A3
SCALE: AS NOTED	



General Notes
FOR EDUCATIONAL
PURPOSE ONLY
1)
T.O. = Top of Wall

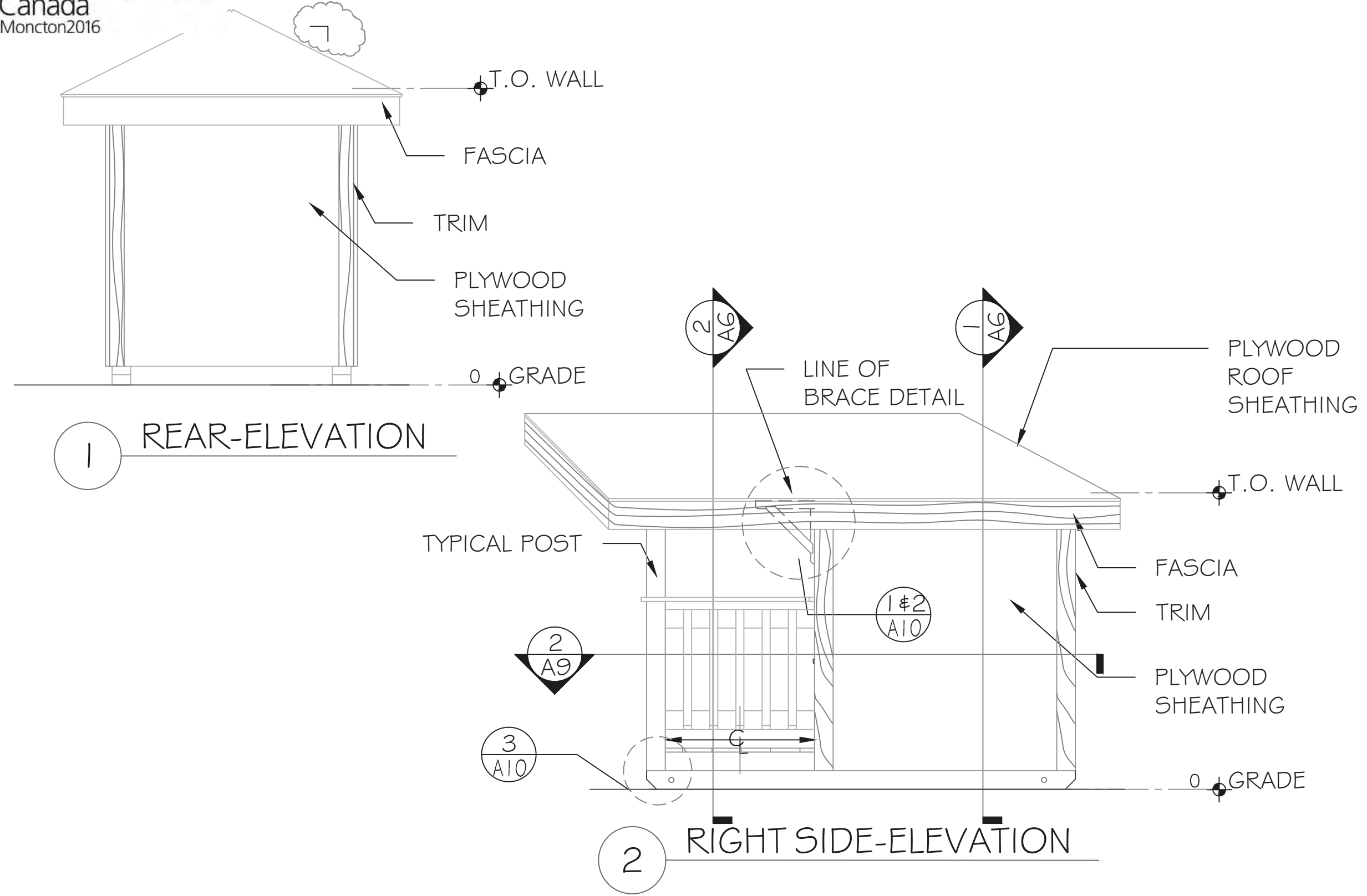
No.	Revision/Issue	Date
7	REVISIONS	JUN. 29
6	REVISIONS	JAN. 14
5	REVISIONS	JAN. 09
4	REVISIONS	DEC. 18
3	REVISIONS	DEC. 16
2	REVISIONS	DEC. 12
1	DRAFT	NOV. 19

SKILLS
CANADA

CARPENTRY
POST
SECONDARY

ELEVATIONS
VERSION 2

DRAWN BY: D. DIMACALI	SHEET #
DATE: 06/29/2015	A4
SCALE: AS NOTED	



General Notes
FOR EDUCATIONAL
PURPOSE ONLY
1)

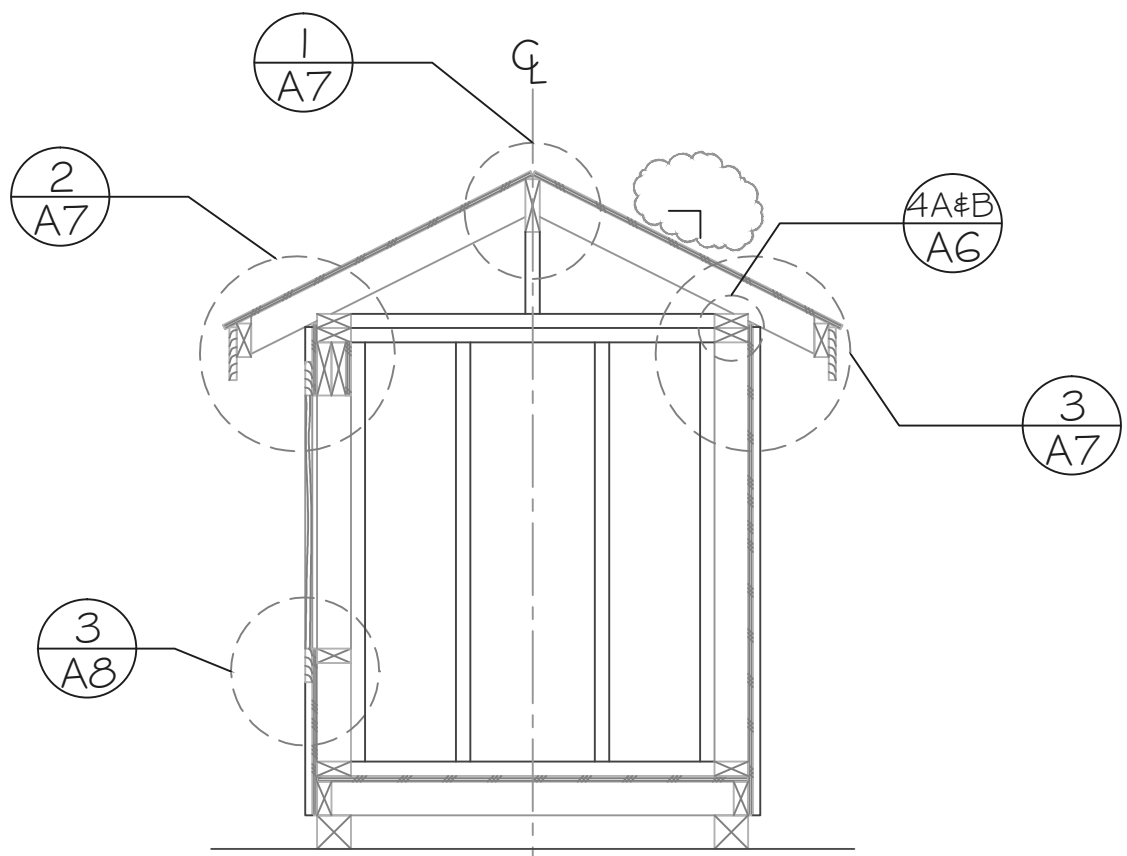
No.	Revision/Issue	Date
7	REVISIONS	JUN. 29
6	REVISIONS	JAN. 14
5	REVISIONS	JAN. 09
4	REVISIONS	DEC. 18
3	REVISIONS	DEC. 16
2	REVISIONS	DEC. 12
1	DRAFT	NOV. 19

SKILLS
CANADA

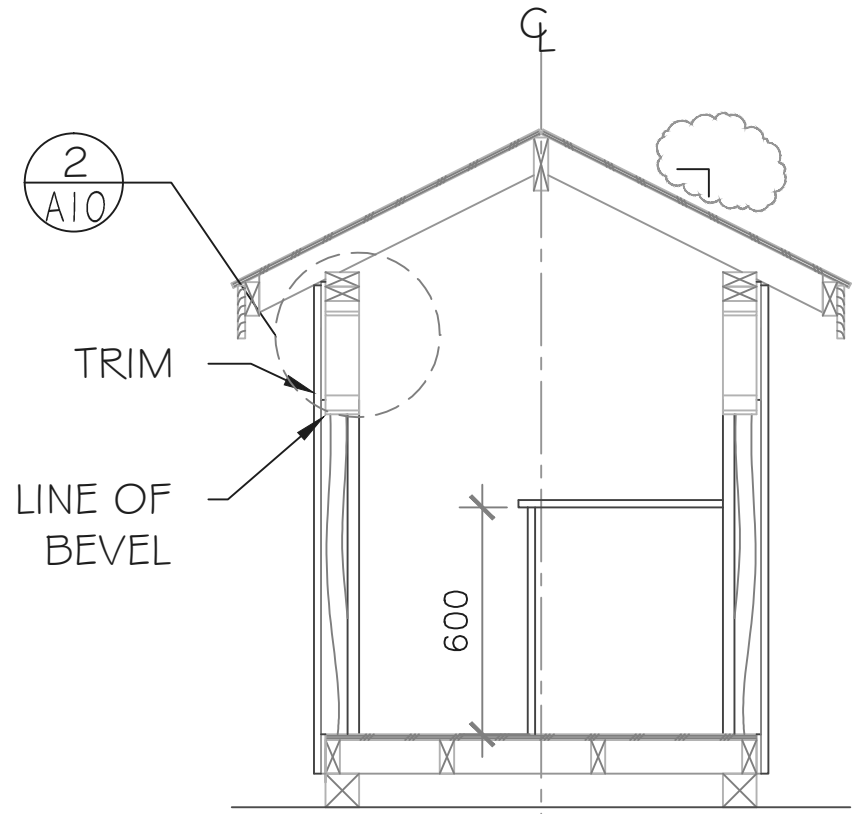
CARPENTRY
POST
SECONDARY

ELEVATIONS
VERSION 2

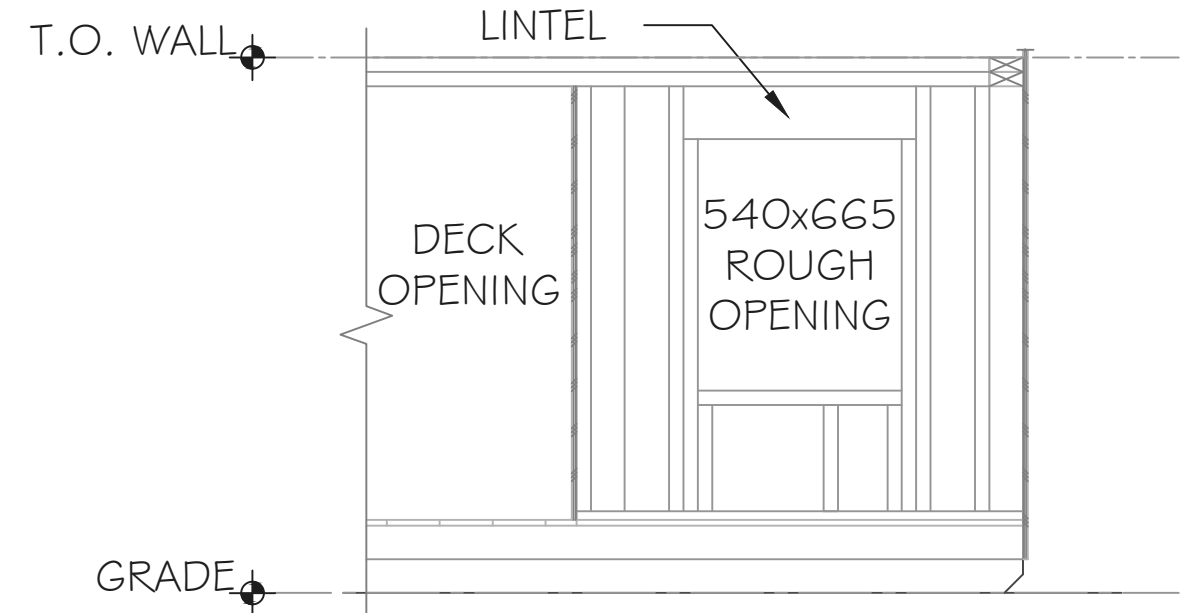
DRAWN BY: D. DIMACALI	SHEET #
DATE: 06/29/2015	A5
SCALE: AS NOTED	



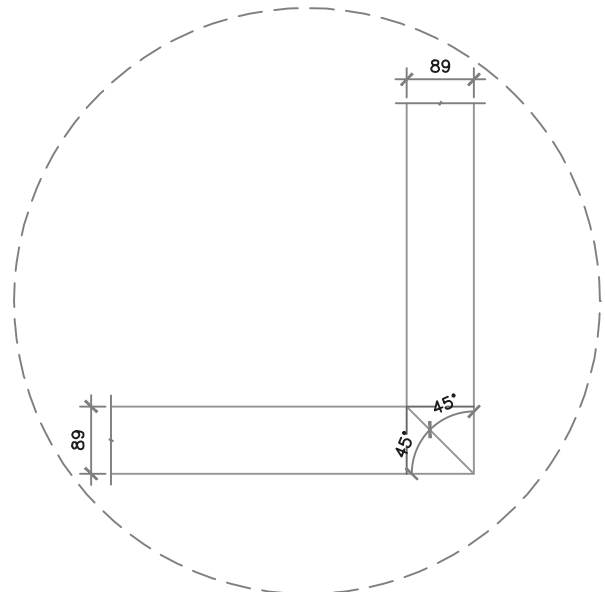
1 SECTION-1
A2, A3, A4, A5



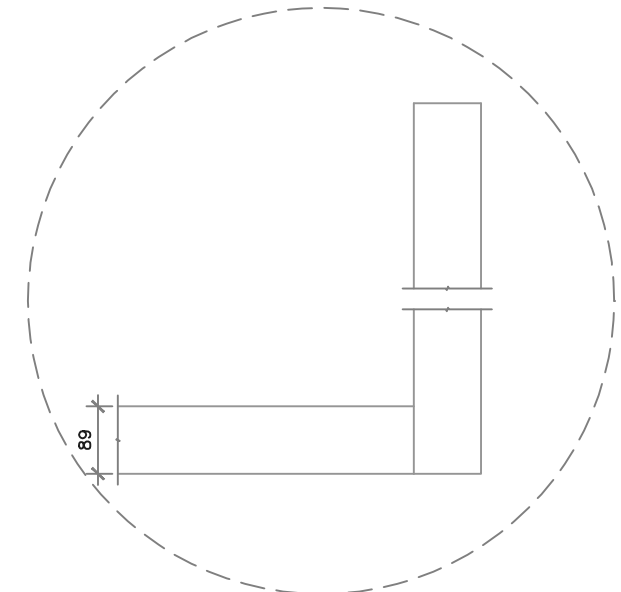
2 SECTION-2
(EXCLUDING BACK WALL)
A2, A3, A4, A5



3 SECTION-3
A2, A3



4A PLAN OF LOWER TOP PLATE
CONNECTION AT POSTS



4B PLAN OF UPPER TOP PLATE
CONNECTION AT POSTS

General Notes
FOR EDUCATIONAL
PURPOSE ONLY
1)



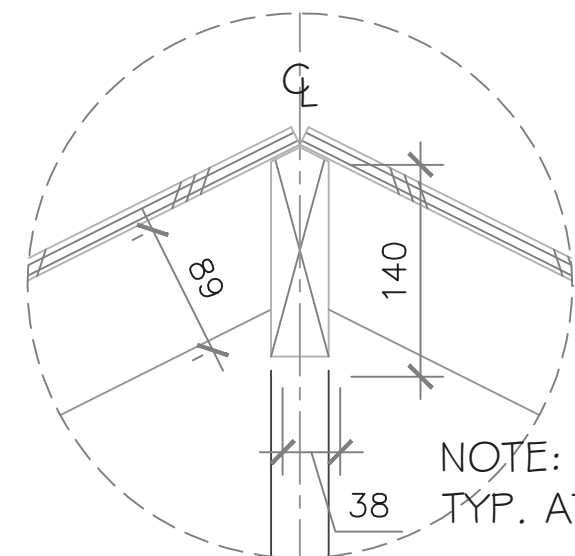
No.	Revision/Issue	Date
7	REVISIONS	JUN. 29
6	REVISIONS	JAN. 14
5	REVISIONS	JAN. 09
4	REVISIONS	DEC. 18
3	REVISIONS	DEC. 16
2	REVISIONS	DEC.12
1	DRAFT	NOV. 19

SKILLS
CANADA

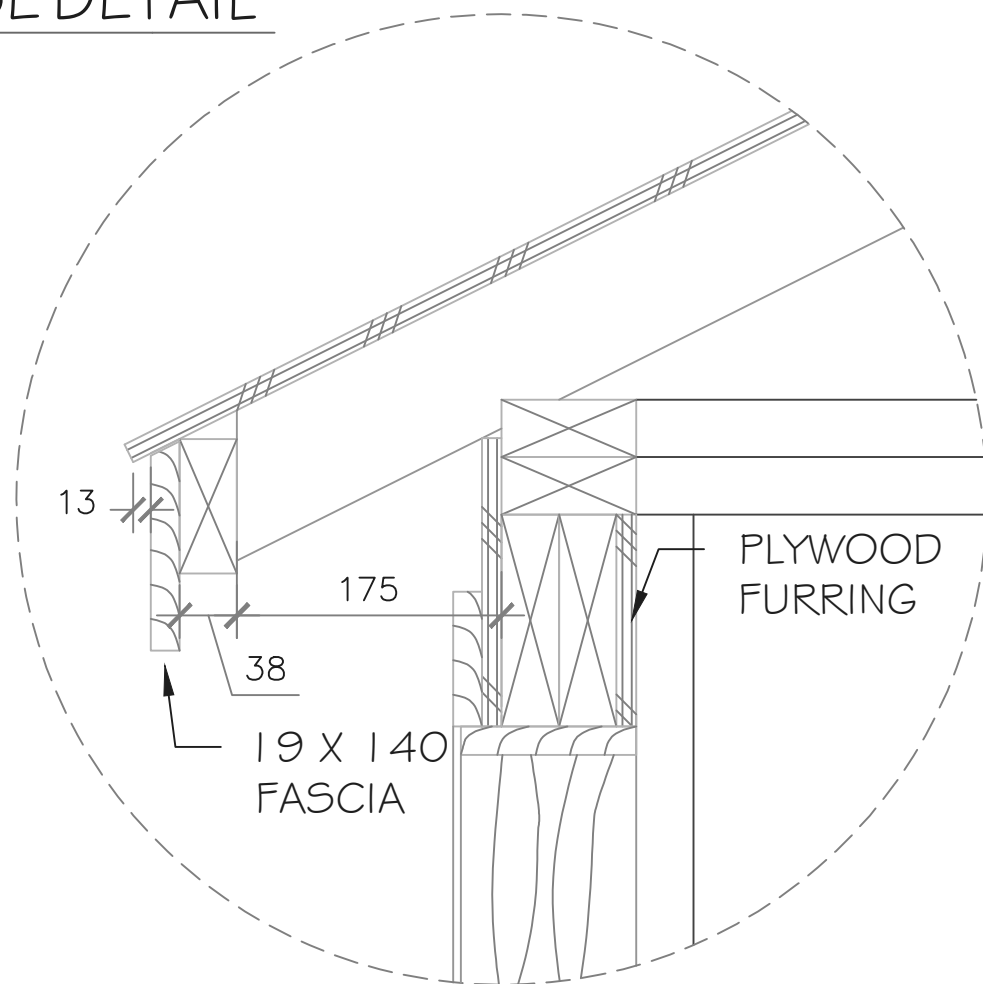
CARPENTRY
POST
SECONDARY

SECTIONS
VERSION 2

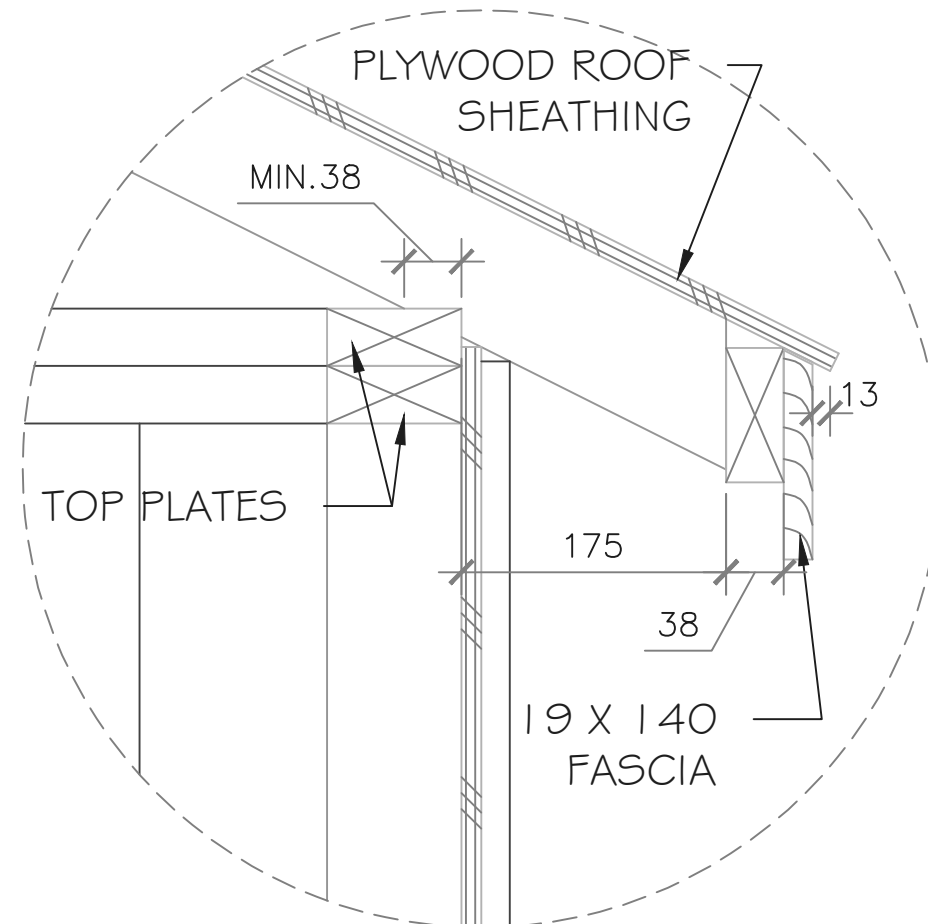
DRAWN BY: D. DIMACALI	SHEET #
DATE: 06/29/2015	A6
SCALE: AS NOTED	



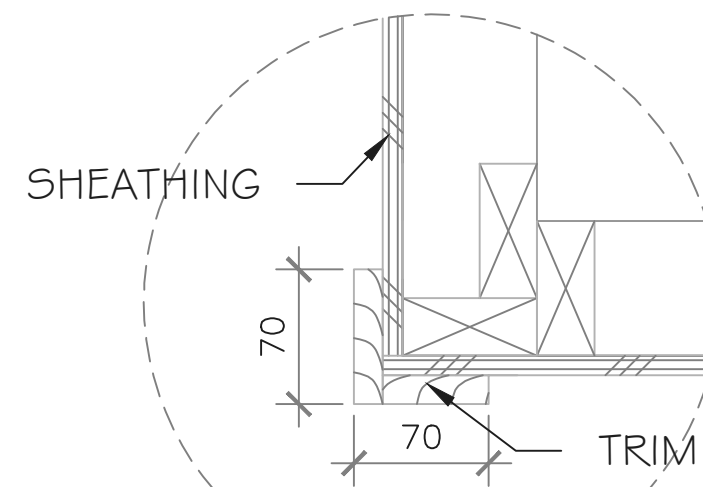
1 RIDGE DETAIL



2 EAVE DETAIL @ LINTEL



3 TYP. EAVE DETAIL



4 TYP. WALL @ CORNER

General Notes

FOR EDUCATIONAL PURPOSE ONLY

1) FASCIA CORNERS TO BE MITRED



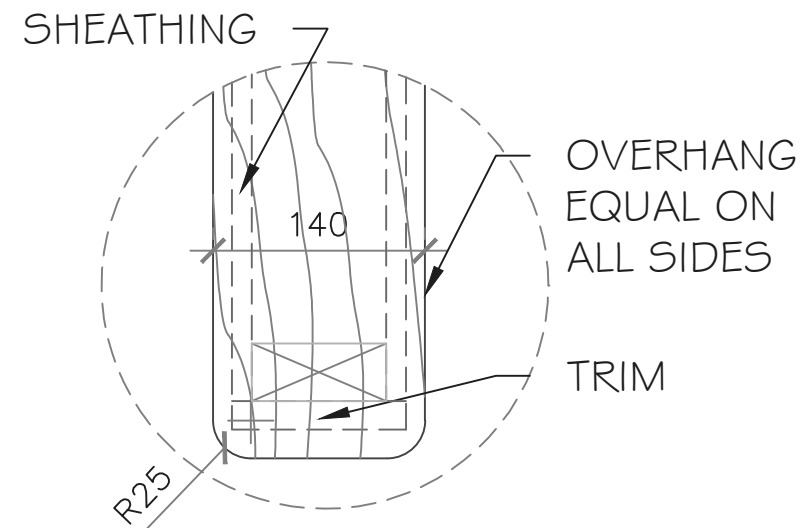
No.	Revision/Issue	Date
7	REVISIONS	JUN. 29
6	REVISIONS	JAN. 14
5	REVISIONS	JAN. 09
4	REVISIONS	DEC. 18
3	REVISIONS	DEC. 16
2	REVISIONS	DEC. 12
1	DRAFT	NOV. 19

SKILLS CANADA

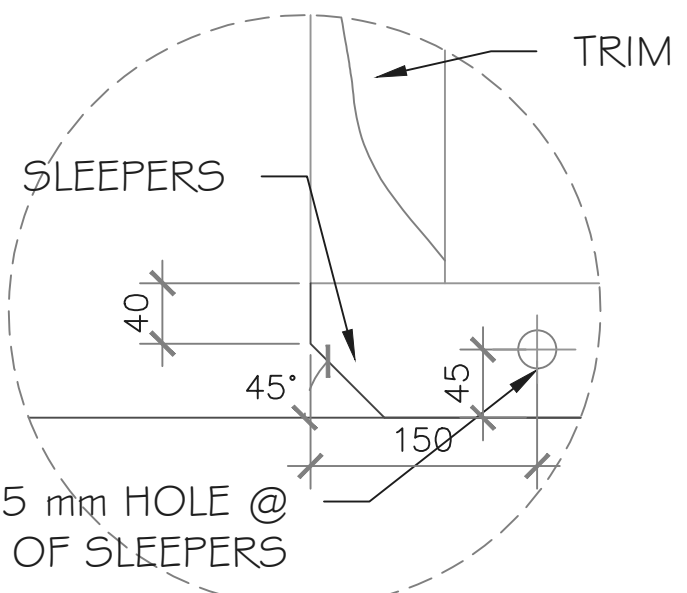
CARPENTRY POST SECONDARY

DETAILS VERSION 2

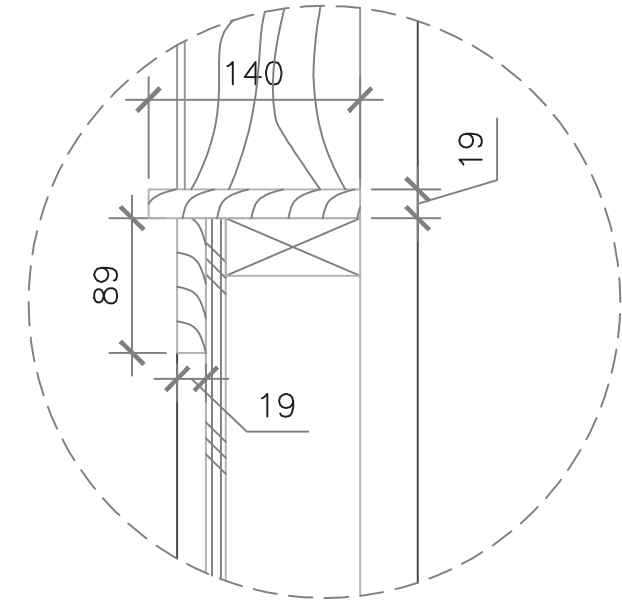
DRAWN BY: D. DIMACALI	SHEET #
DATE: 06/29/2015	A7
SCALE: AS NOTED	



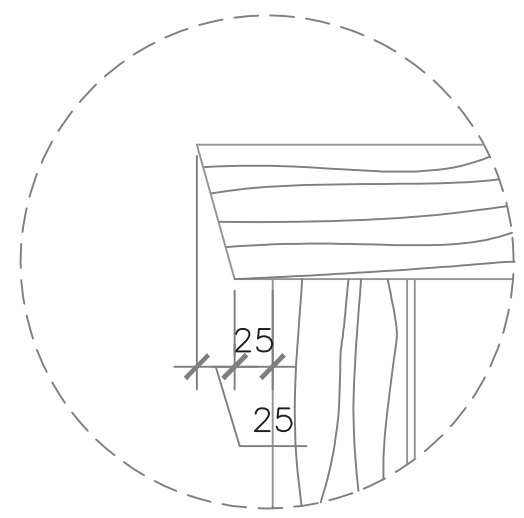
1
A2
WALL CAP DETAIL



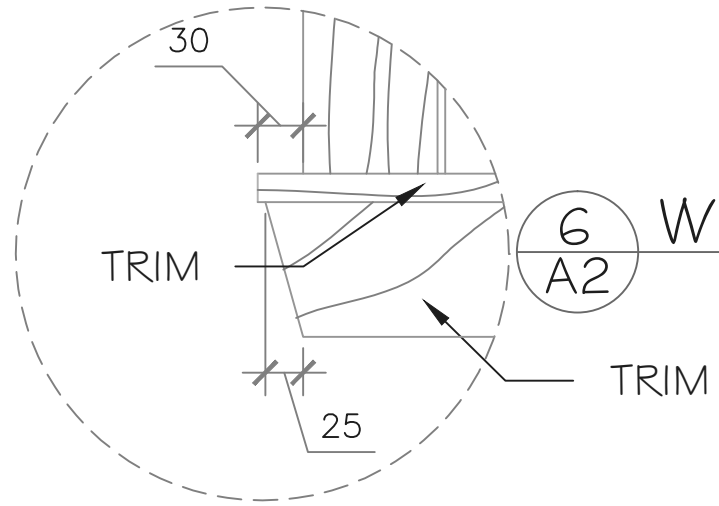
2
A4
SLEEPER ANGLE DETAIL



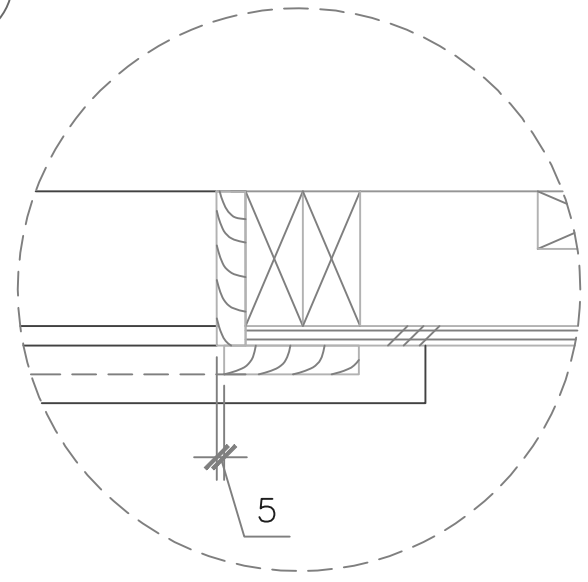
3
A4
WINDOW SILL DETAIL



4
A4
WINDOW HEAD TRIM DETAIL



5
A4
WINDOW SILL TRIM DETAIL



6
A2
WINDOW SILL PLAN DETAIL

General Notes
FOR EDUCATIONAL
PURPOSE ONLY
1)



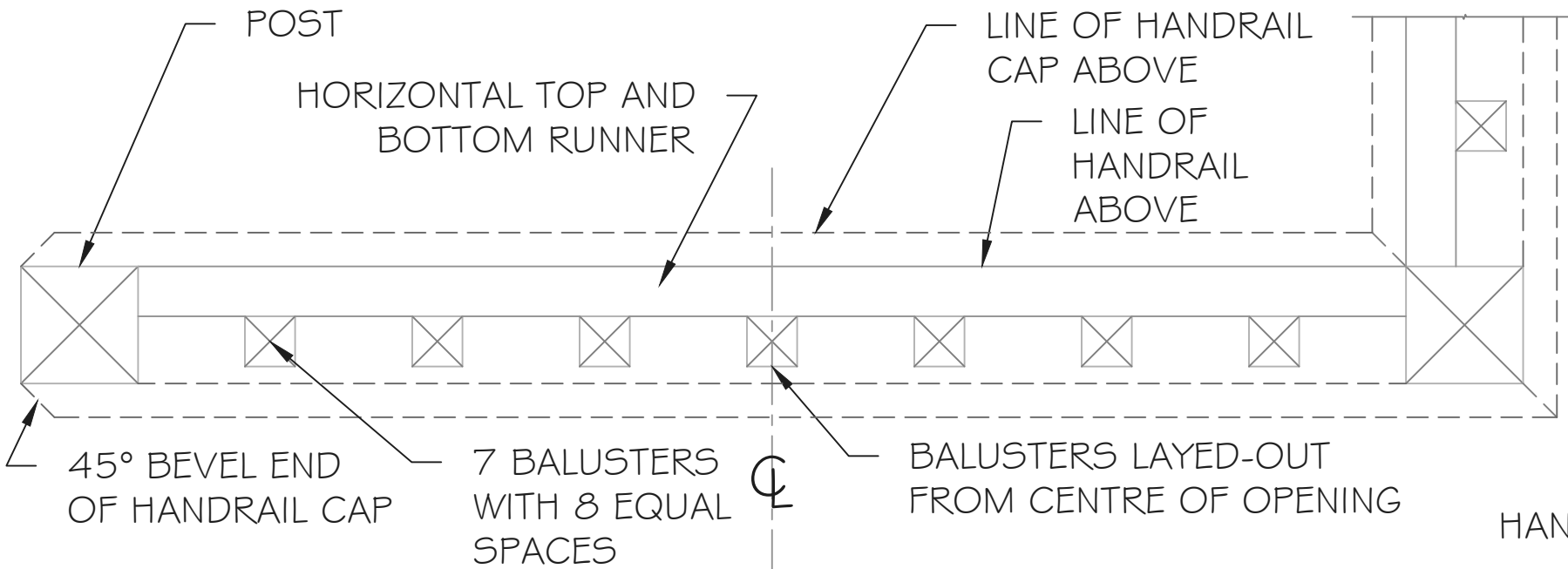
No.	Revision/Issue	Date
7	REVISIONS	JUN. 29
6	REVISIONS	JAN. 14
5	REVISIONS	JAN. 09
4	REVISIONS	DEC. 18
3	REVISIONS	DEC. 16
2	REVISIONS	DEC. 12
1	DRAFT	NOV. 19

SKILLS
CANADA

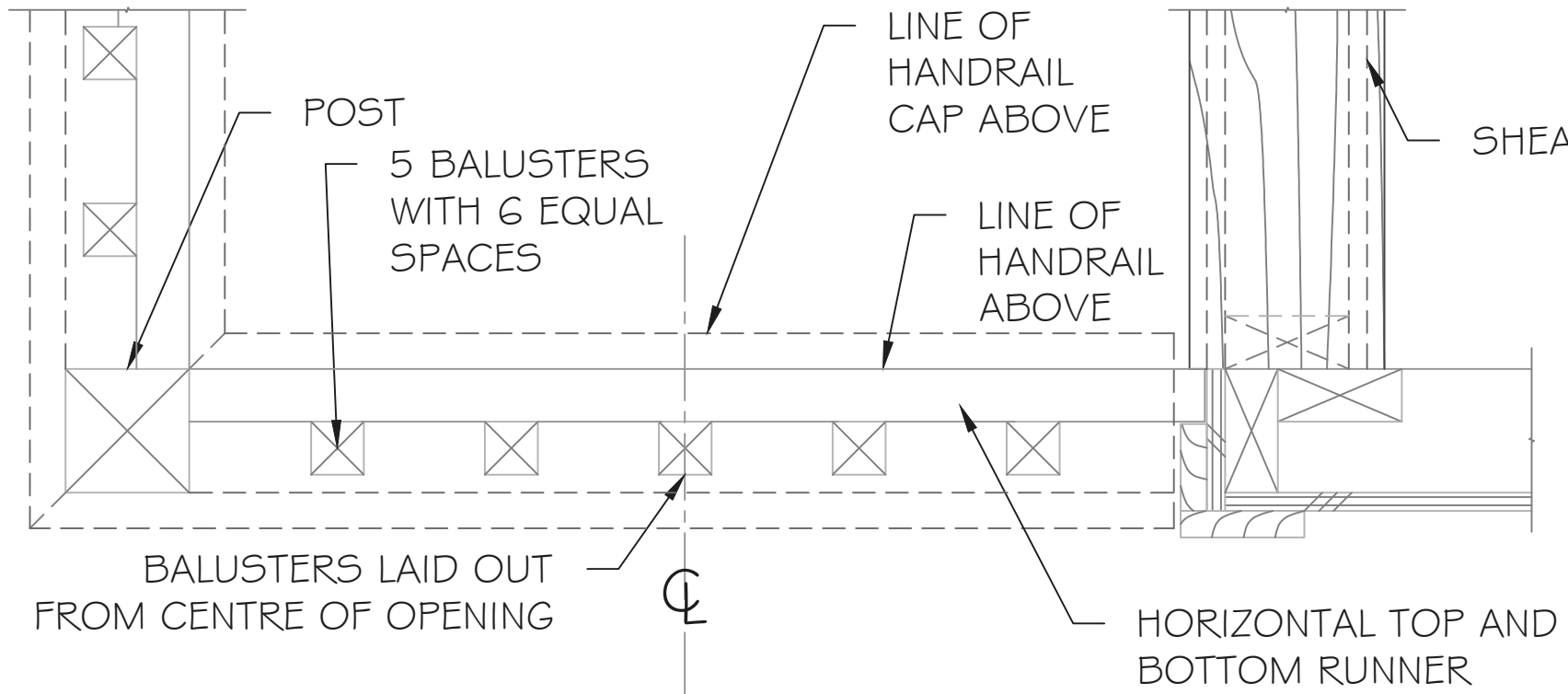
CARPENTRY
POST
SECONDARY

DETAILS
VERSION 2

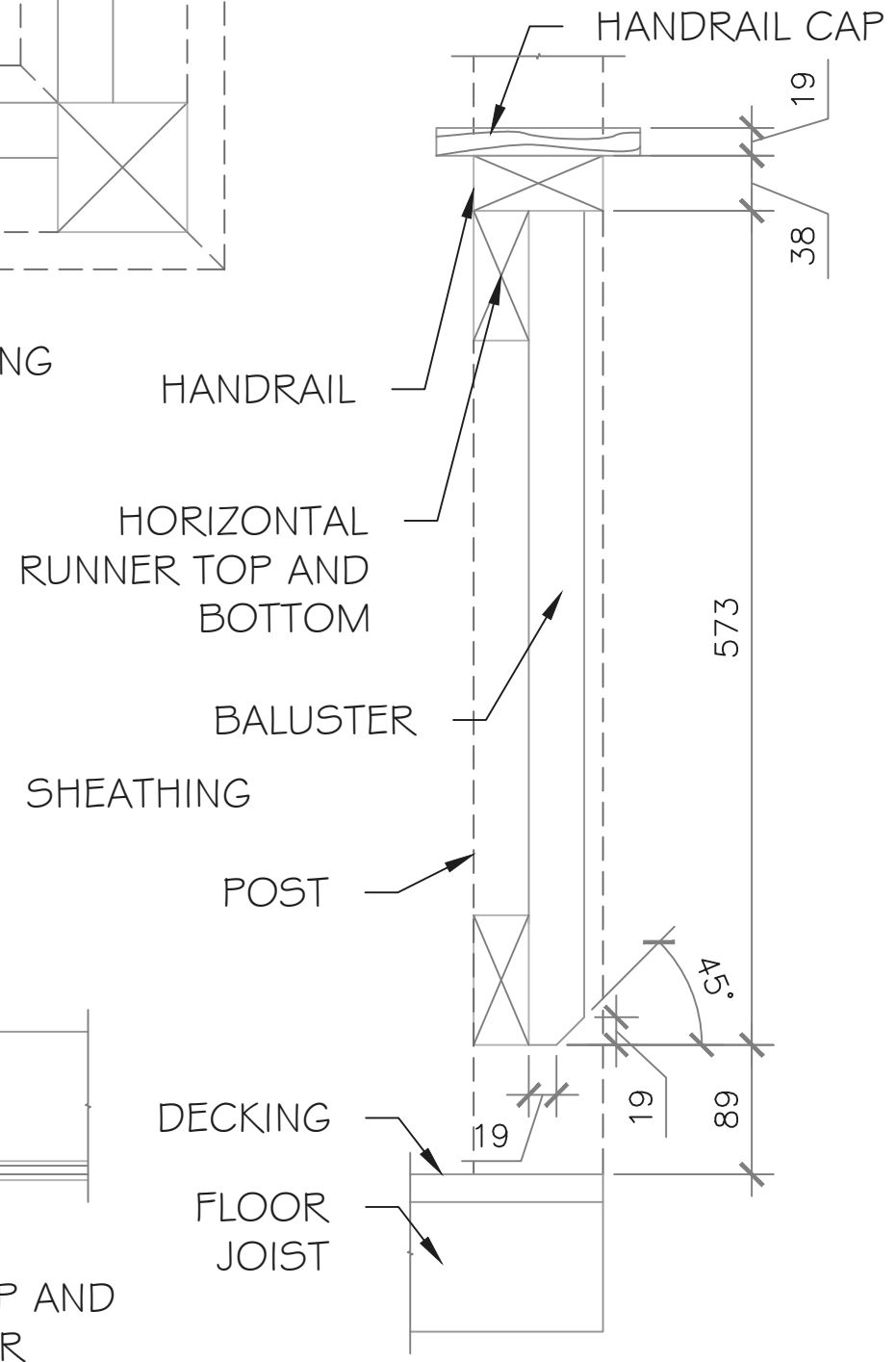
DRAWN BY: D. DIMACALI	SHEET #
DATE: 06/29/2015	A8
SCALE: AS NOTED	



1 FRONT RAILING PLAN
A4



2 SIDE RAILING PLAN
A5



3 BALUSTER SECTION
A4

General Notes
FOR EDUCATIONAL
PURPOSE ONLY
1)



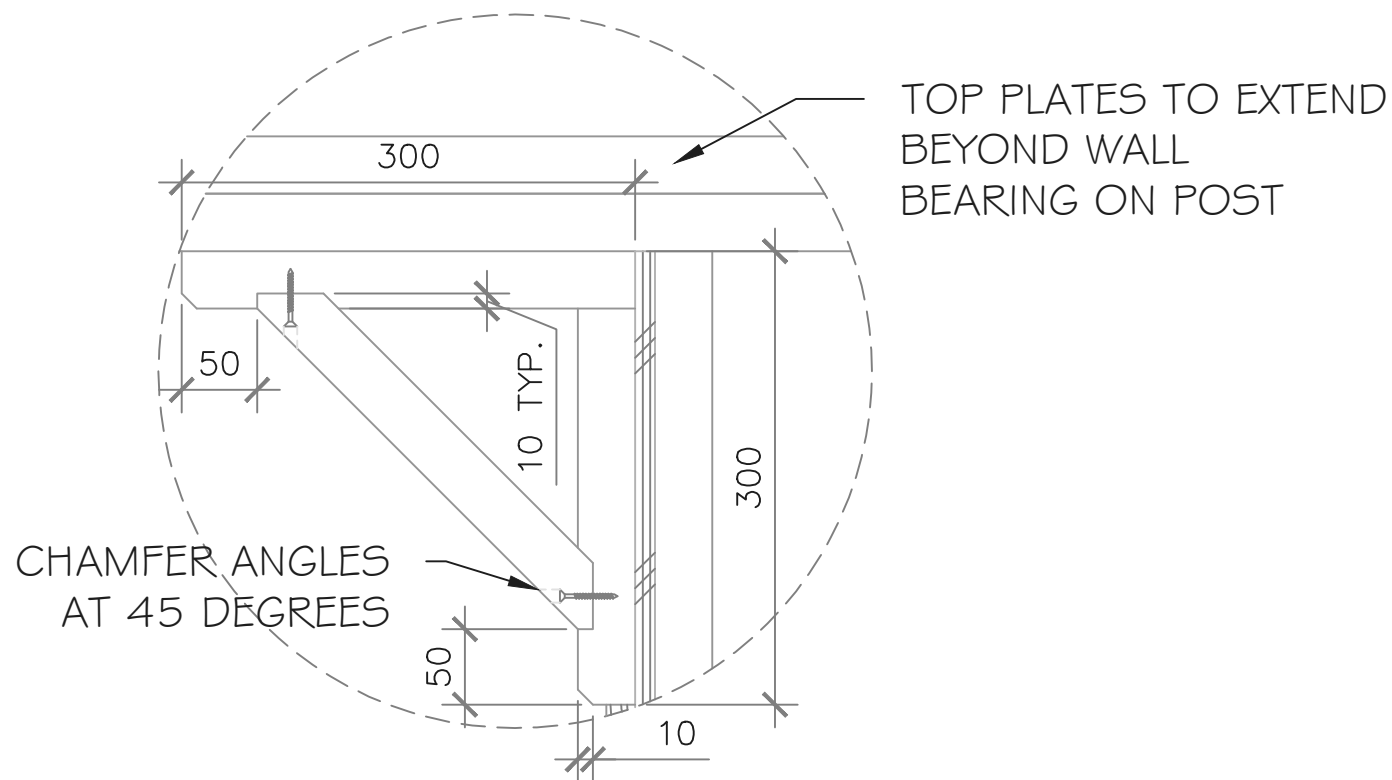
No.	Revision/Issue	Date
7	REVISIONS	JUN. 29
6	REVISIONS	JAN. 14
5	REVISIONS	JAN. 09
4	REVISIONS	DEC. 18
3	REVISIONS	DEC. 16
2	REVISIONS	DEC. 12
1	DRAFT	NOV. 19

SKILLS
CANADA

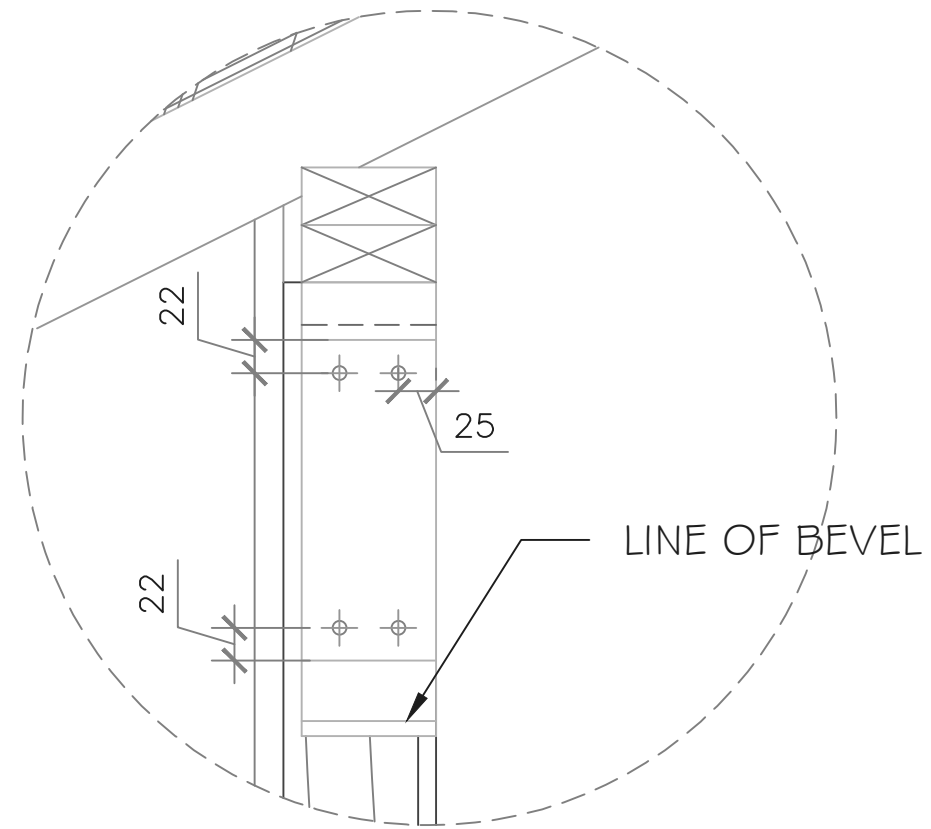
CARPENTRY
POST
SECONDARY

DETAILS
VERSION 2

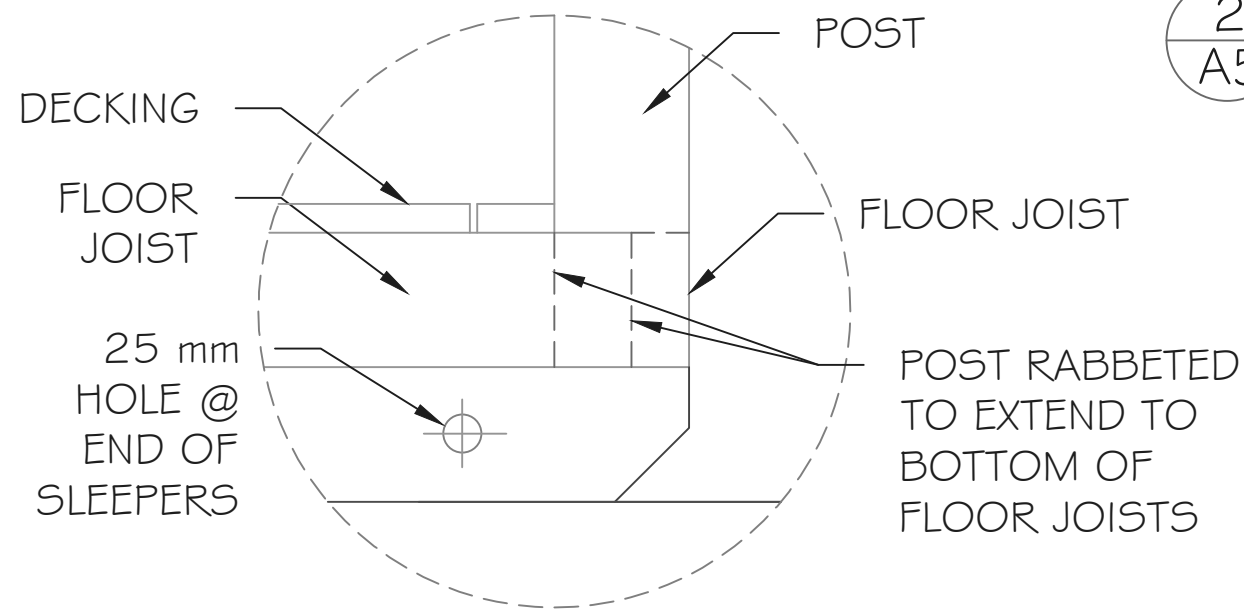
DRAWN BY: D. DIMACALI	SHEET #
DATE: 06/29/2015	A9
SCALE: AS NOTED	



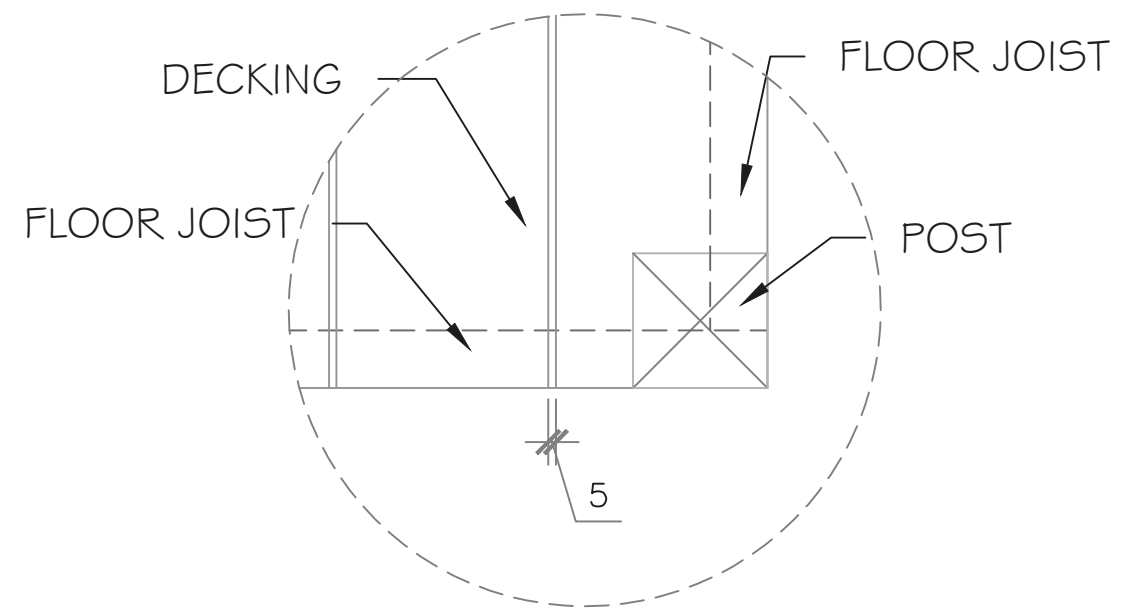
1 ARCHITECTURAL BRACKET DETAIL-A
A5



2 ARCHITECTURAL BRACKET DETAIL-B
A5



3 FLOOR JOISTS AT FRONT POSTS
A4



4 DECKING AT FLOOR JOISTS
A3

General Notes
FOR EDUCATIONAL PURPOSE ONLY

1)



No.	Revision/Issue	Date
7	REVISIONS	JUN. 29
6	REVISIONS	JAN. 14
5	REVISIONS	JAN. 09
4	REVISIONS	DEC. 18
3	REVISIONS	DEC. 16
2	REVISIONS	DEC. 12
1	DRAFT	NOV. 19

SKILLS
CANADA

CARPENTRY
POST
SECONDARY

DETAILS
VERSION 2

DRAWN BY: D. DIMACALI	SHEET #
DATE: 06/29/2015	A10
SCALE: AS NOTED	