



TEST PROJECT  
PROJET D'ÉPREUVE

# CARPENTRY CHARPENTERIE

SECONDARY  
NIVEAU SECONDAIRE

CONTINUOUS LEARNING



FORMATION CONTINUE

DIGITAL



COMPÉTENCES NUMÉRIQUES

DOCUMENT USE



UTILISATION DE DOCUMENTS

NUMERACY



CALCUL

ORAL COMMUNICATION



COMMUNICATION ORALE

READING TEXT



LECTURE

WORKING WITH OTHERS



TRAVAIL D'ÉQUIPE

WRITING



RÉDACTION

THINKING



CAPACITÉ DE RAISONNEMENT



General Notes  
FOR EDUCATIONAL  
PURPOSE ONLY

CONTENTS

- A1 - ISOMETRIC
- A2- PLANS
- A3- PLANS
- A4- ELEVATIONS
- A5- ELEVATIONS
- A6- SECTIONS
- A7- DETAILS
- A8- DETAILS
- A9- DETAILS
- A10- DETAILS

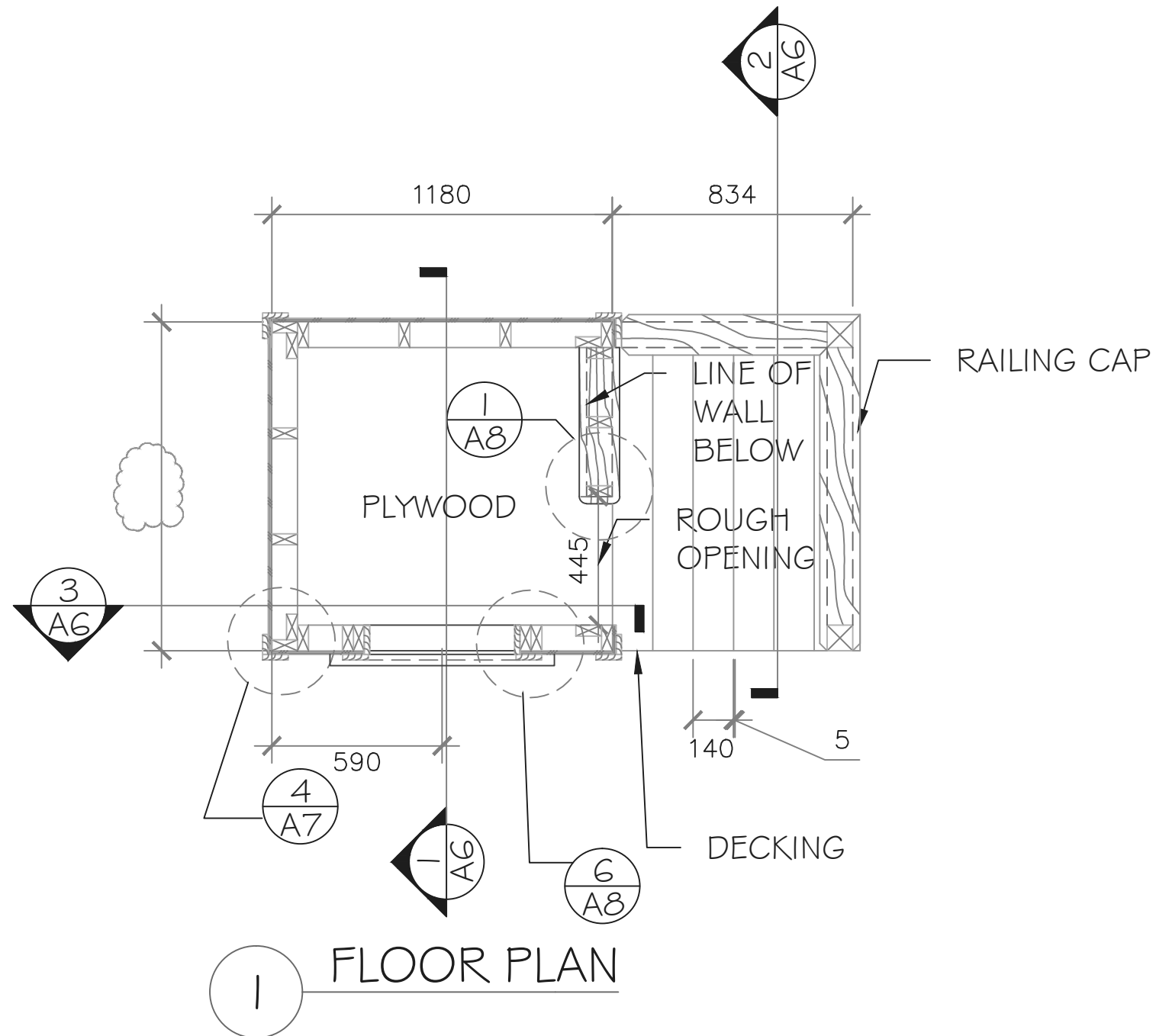
9	REVISIONS	JUN,29
8	REVISIONS	JAN,14
7	REVISIONS	JAN,09
6	REVISIONS	DEC,18
5	REVISIONS	DEC,11
4	FINAL DRAFT	NOV,09
3	REVISIONS	OCT,14
2	REVISIONS	SEP,08
1	DRAFT	AUG,15
No.	Revision/Issue	Date

SKILLS  
CANADA

NATIONAL  
CARPENTRY  
SECONDARY

ISOMETRIC

DRAWN BY: ALLISON VINK	SHEET #
DATE: 06/29/2015	A1
SCALE: not to scale	



General Notes

FOR EDUCATIONAL PURPOSE ONLY

- 1) ALL SHEATHING STOCK TO BE VERIFIED ON SITE
- 2) NO SHEATHING FOR ROOF
- 3) FINISH/ SOFTEN ALL EXPOSED EDGES
- 4) ALL FRAMING AT 400 o/c

No.	Revision/Issue	Date
9	REVISIONS	JUN,29
8	REVISIONS	JAN,14
7	REVISIONS	JAN,09
6	REVISIONS	DEC,18
5	REVISIONS	DEC,11
4	FINAL DRAFT	NOV,09
3	REVISIONS	OCT,14
2	REVISIONS	SEP,08
1	DRAFT	AUG,15

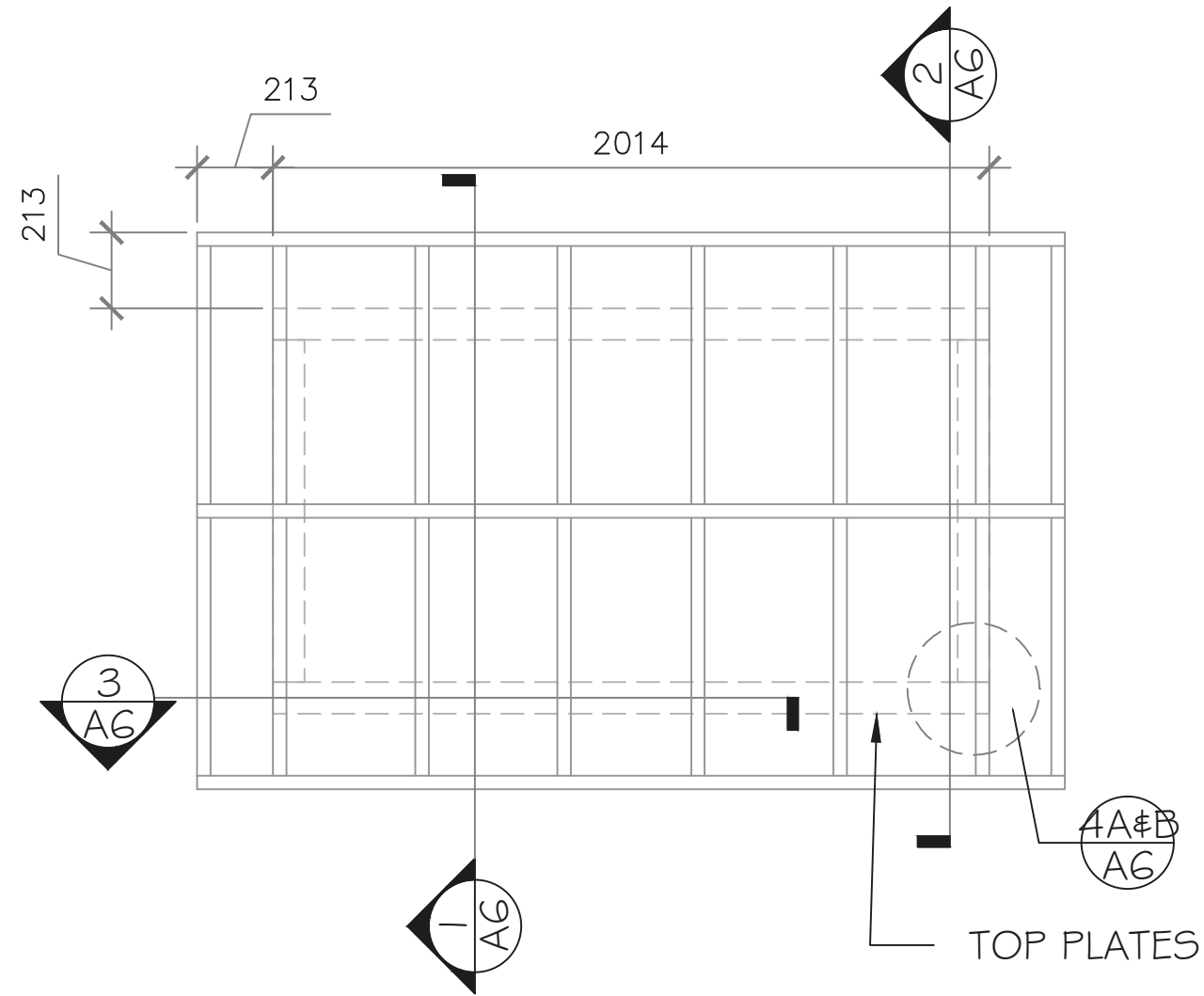
SKILLS  
CANADA

NATIONAL  
CARPENTRY  
SECONDARY

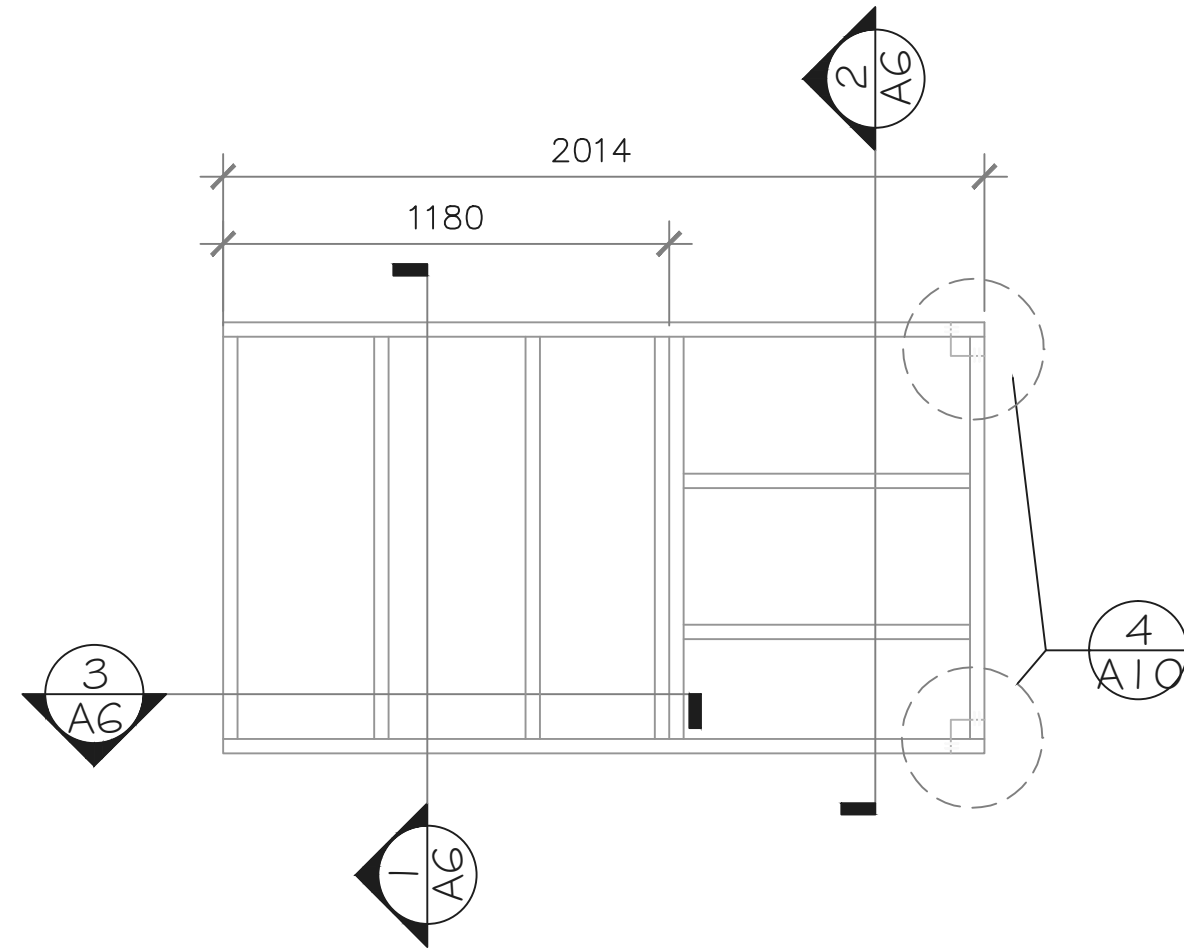
PLANS

DRAWN BY: ALLISON VINK	SHEET #
DATE: 06/29/2015	A2
SCALE: not to scale	





1 ROOF FRAMING PLAN



2 FLOOR JOIST PLAN

General Notes  
FOR EDUCATIONAL  
PURPOSE ONLY

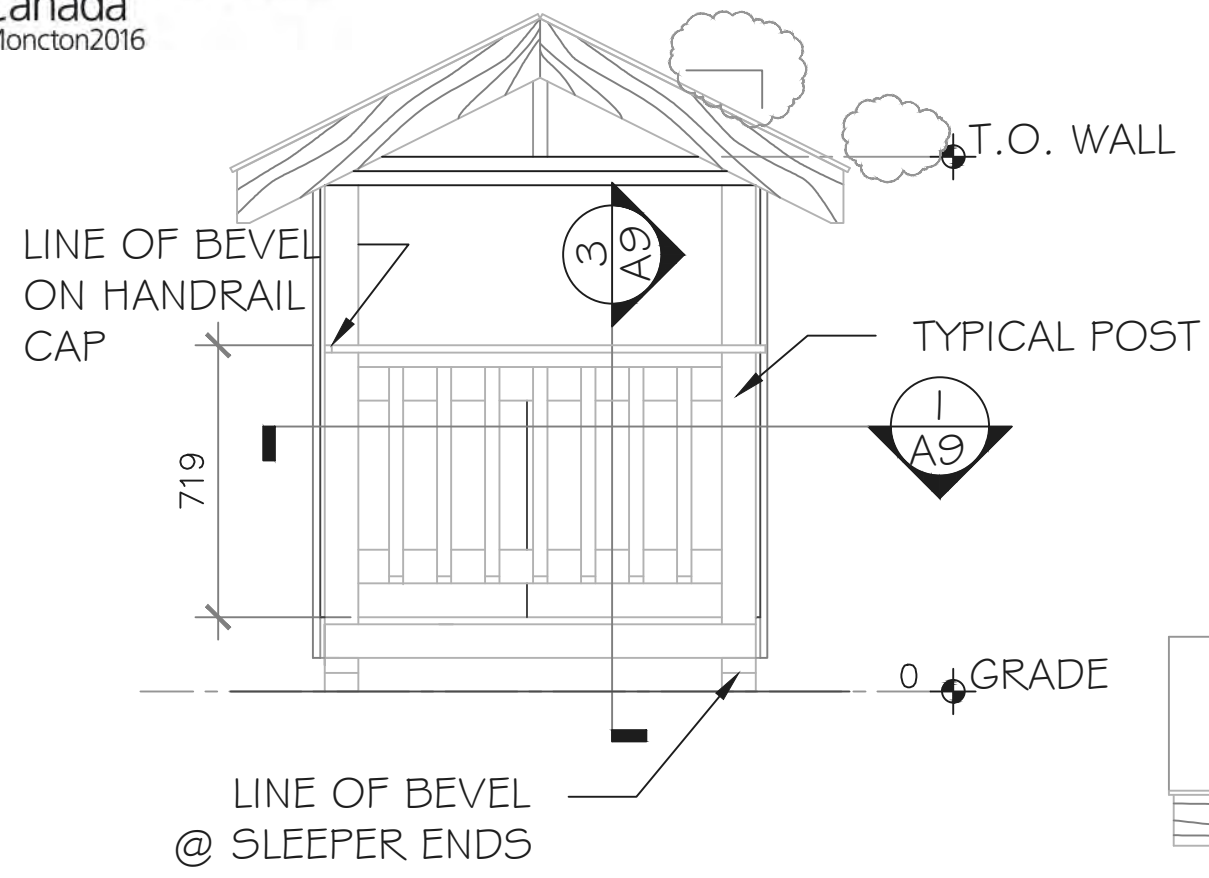
No.	Revision/Issue	Date
9	REVISIONS	JUN,29
8	REVISIONS	JAN,14
7	REVISIONS	JAN,09
6	REVISIONS	DEC,18
5	REVISIONS	DEC,11
4	FINAL DRAFT	NOV,09
3	REVISIONS	OCT,14
2	REVISIONS	SEP,08
1	DRAFT	AUG,15

SKILLS  
CANADA

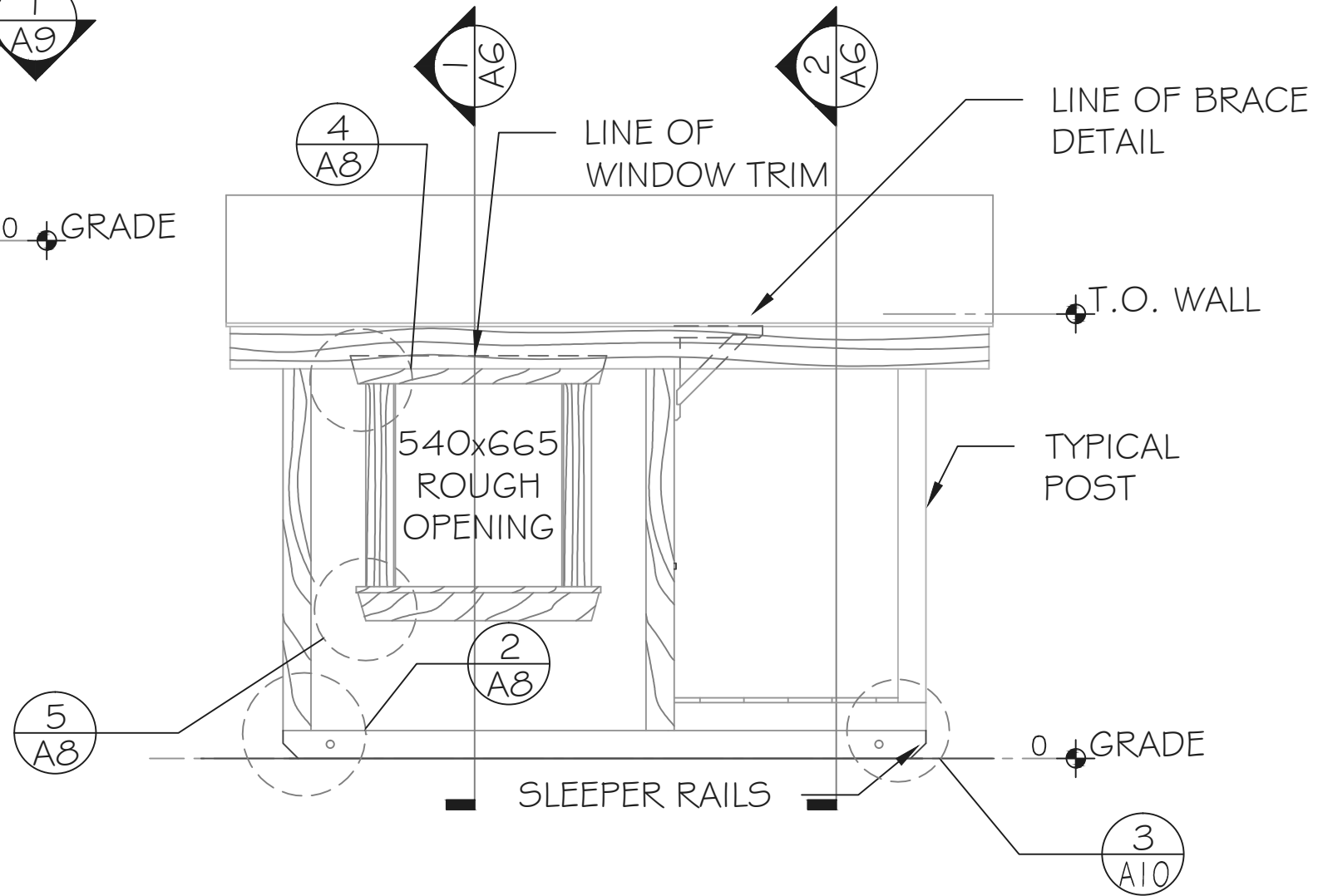
NATIONAL  
CARPENTRY  
SECONDARY

PLANS

DRAWN BY: ALLISON VINK	SHEET #
DATE: 06/29/2015	A3
SCALE: not to scale	



1 FRONT-ELEVATION



2 LEFT SIDE-ELEVATION

General Notes  
FOR EDUCATIONAL  
PURPOSE ONLY  
1) T.O. = TOP OF  
WALL

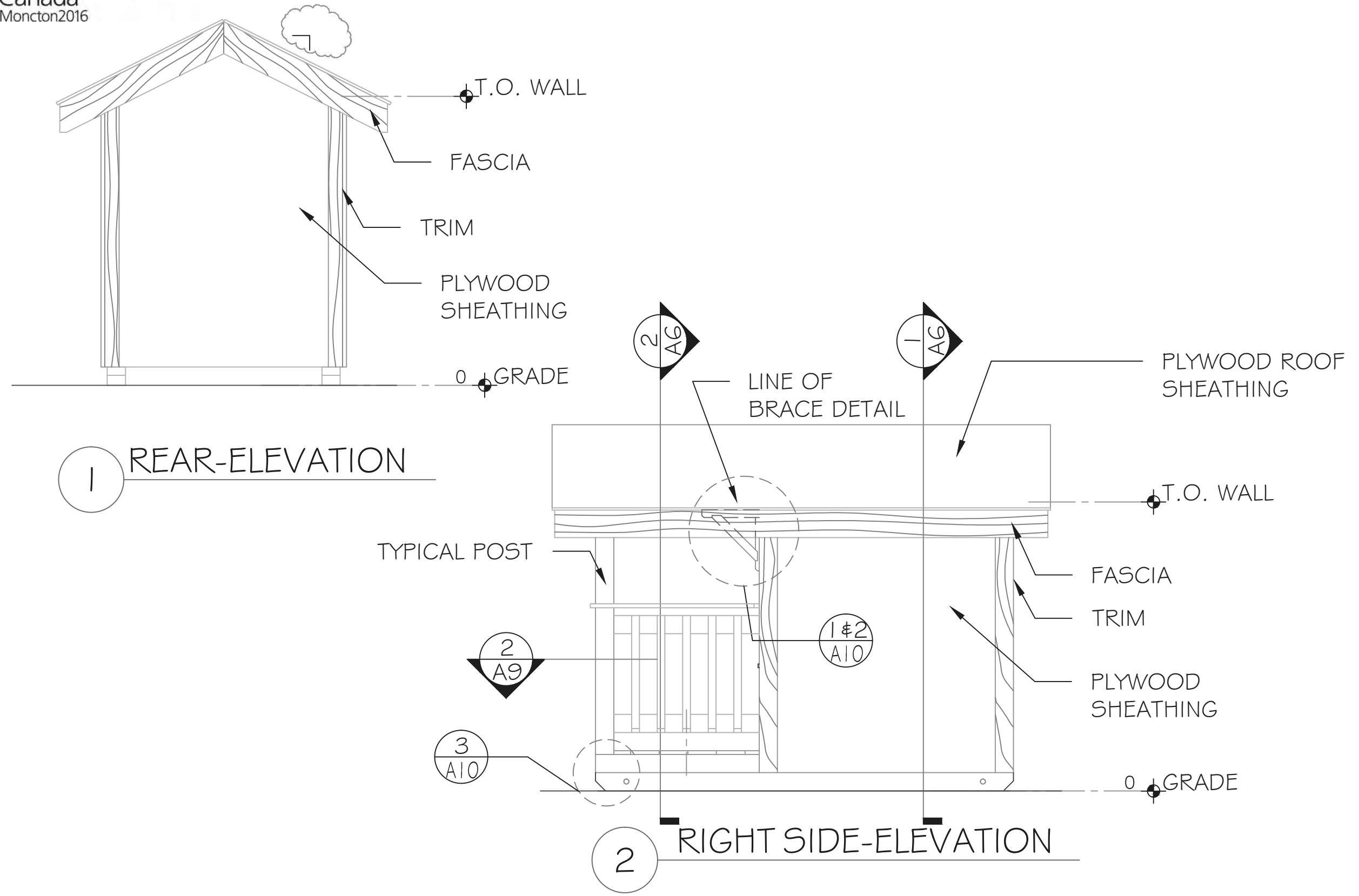
No.	Revision/Issue	Date
9	REVISIONS	JUN,29
8	REVISIONS	JAN,14
7	REVISIONS	JAN,09
6	REVISIONS	DEC,18
5	REVISIONS	DEC,11
4	FINAL DRAFT	NOV,09
3	REVISIONS	OCT,14
2	REVISIONS	SEP,08
1	DRAFT	AUG,15

SKILLS  
CANADA

NATIONAL  
CARPENTRY  
SECONDARY

ELEVATIONS

DRAWN BY: ALLISON VINK	SHEET #
DATE: 06/29/2015	A4
SCALE: not to scale	



General Notes  
FOR EDUCATIONAL  
PURPOSE ONLY

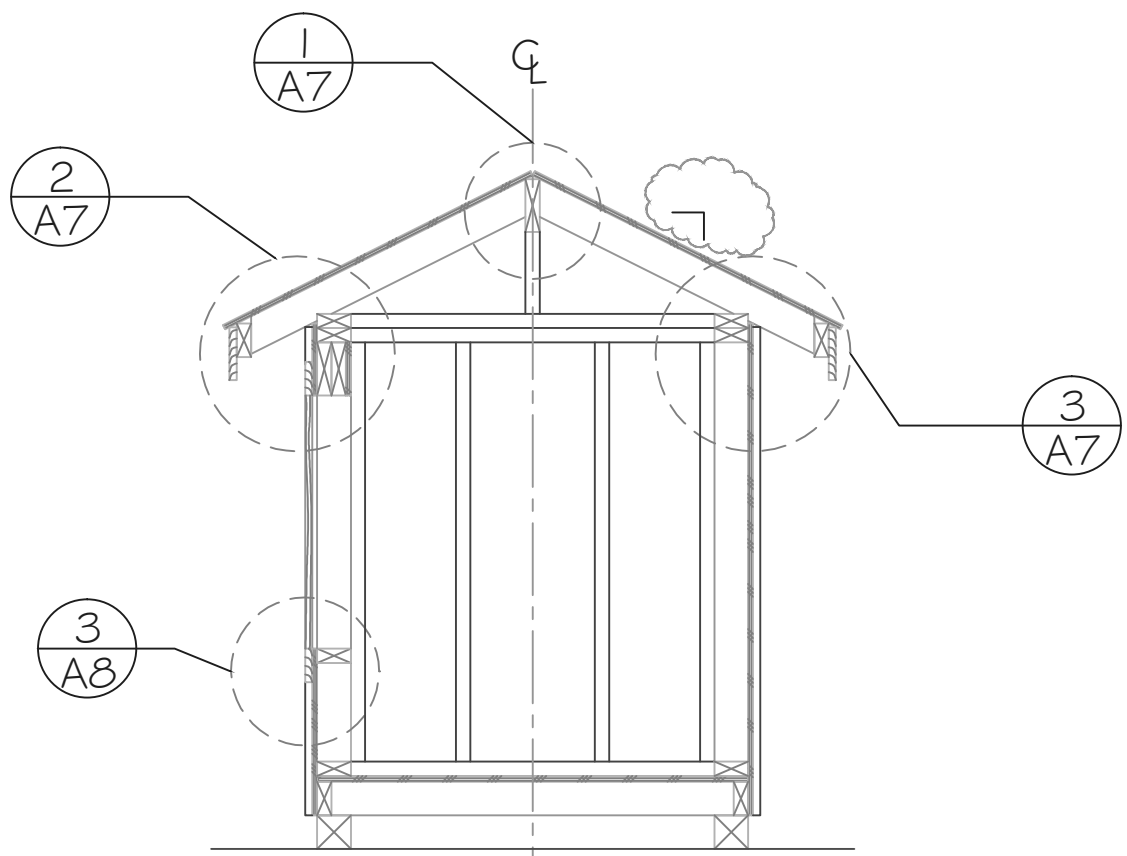
No.	Revision/Issue	Date
9	REVISIONS	JUN,29
8	REVISIONS	JAN,14
7	REVISIONS	JAN,09
6	REVISIONS	DEC,18
5	REVISIONS	DEC,11
4	FINAL DRAFT	NOV,09
3	REVISIONS	OCT,14
2	REVISIONS	SEP,08
1	DRAFT	AUG,15

SKILLS  
CANADA

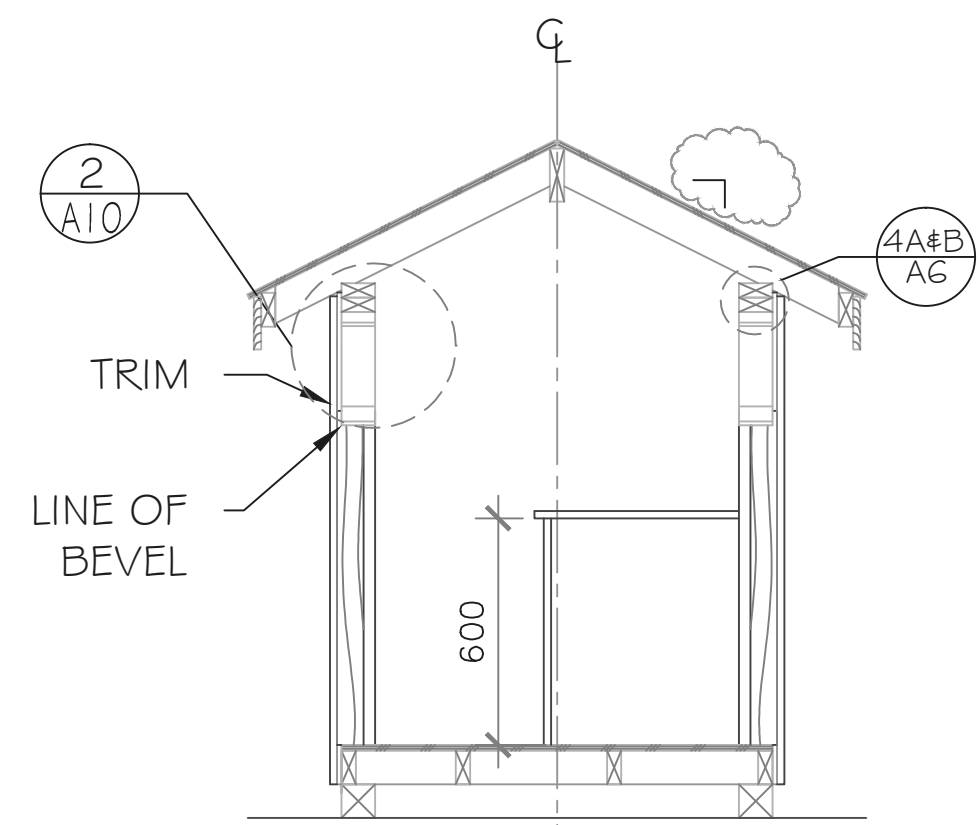
NATIONAL  
CARPENTRY  
SECONDARY

ELEVATIONS

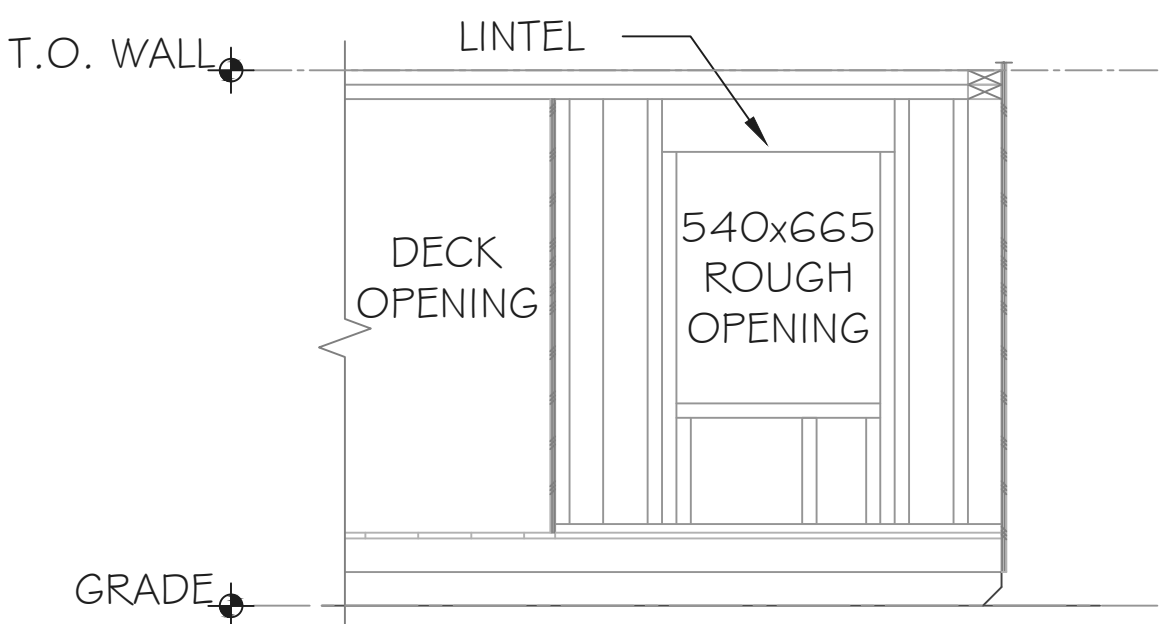
DRAWN BY: ALLISON VINK	SHEET #
DATE: 06/29/2015	A5
SCALE: not to scale	



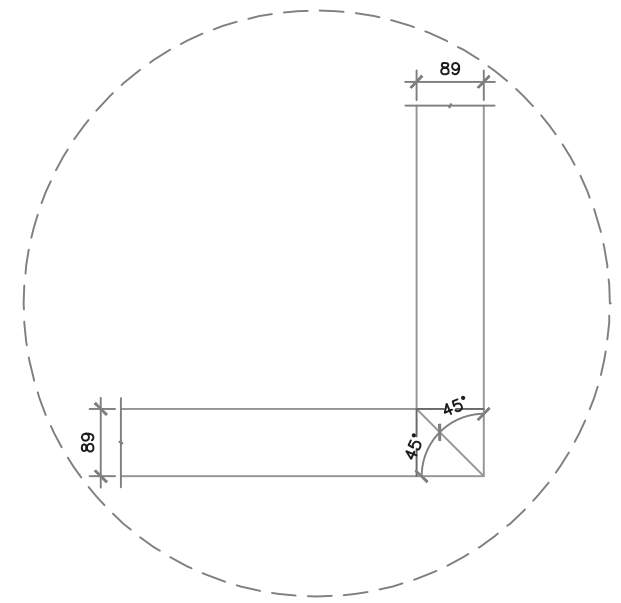
1 SECTION 1  
A2, A3, A4, A5



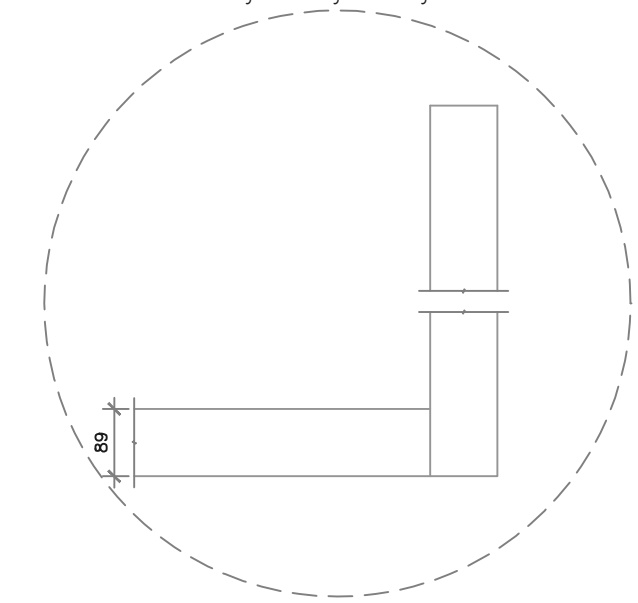
2 SECTION 2  
(EXCLUDING BACK WALL)  
A2, A3, A4, A5



3 SECTION 3  
A2, A3



4A PLAN OF LOWER TOP PLATE  
CONNECTION AT POSTS



4B PLAN OF UPPER TOP PLATE  
CONNECTION AT POSTS

General Notes  
FOR EDUCATIONAL  
PURPOSE ONLY



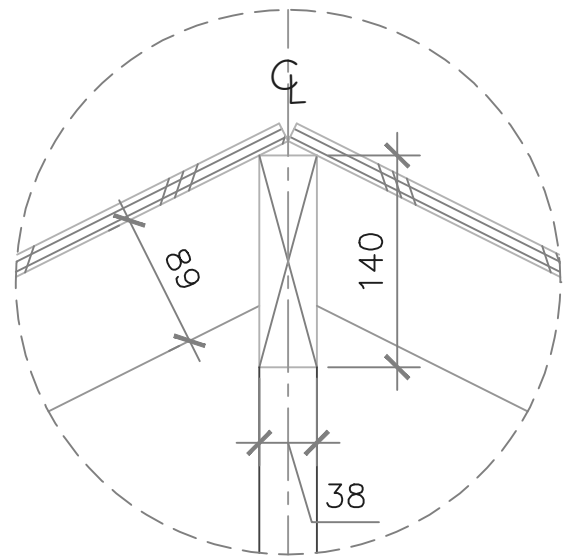
No.	Revision/Issue	Date
9	REVISIONS	JUN,29
8	REVISIONS	JAN,14
7	REVISIONS	JAN,09
6	REVISIONS	DEC,18
5	REVISIONS	DEC,11
4	FINAL DRAFT	NOV,09
3	REVISIONS	OCT,14
2	REVISIONS	SEP,08
1	DRAFT	AUG,15

SKILLS  
CANADA

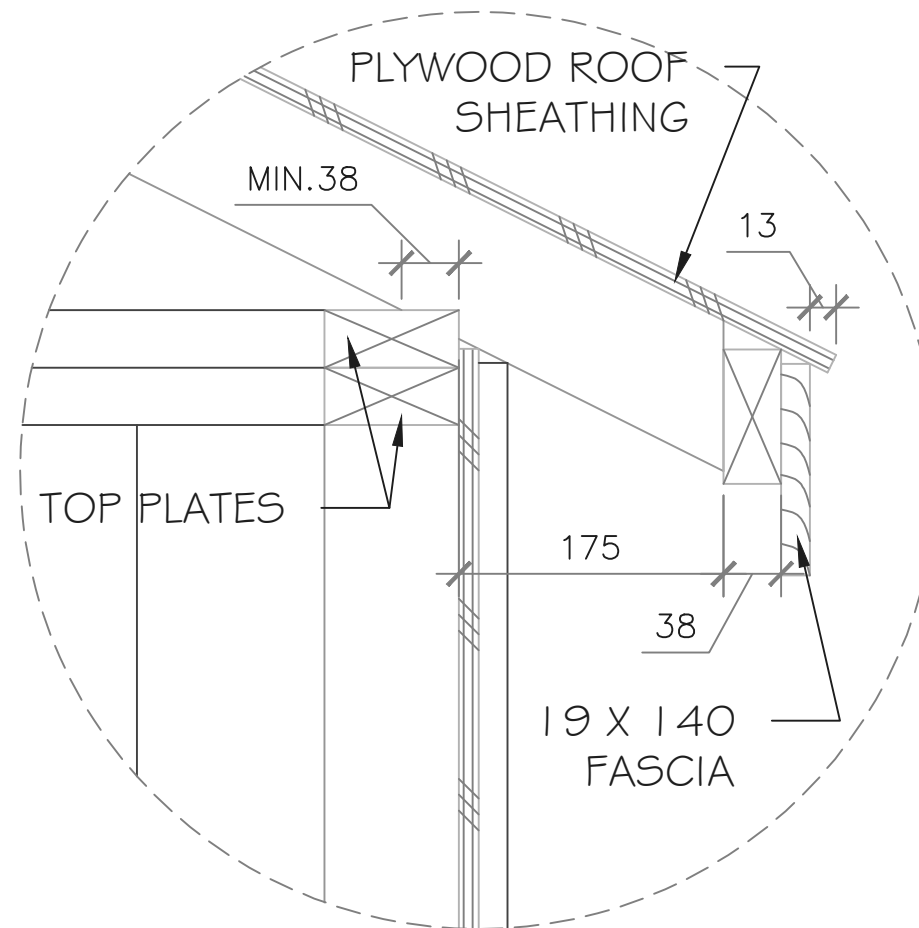
NATIONAL  
CARPENTRY  
SECONDARY

SECTIONS

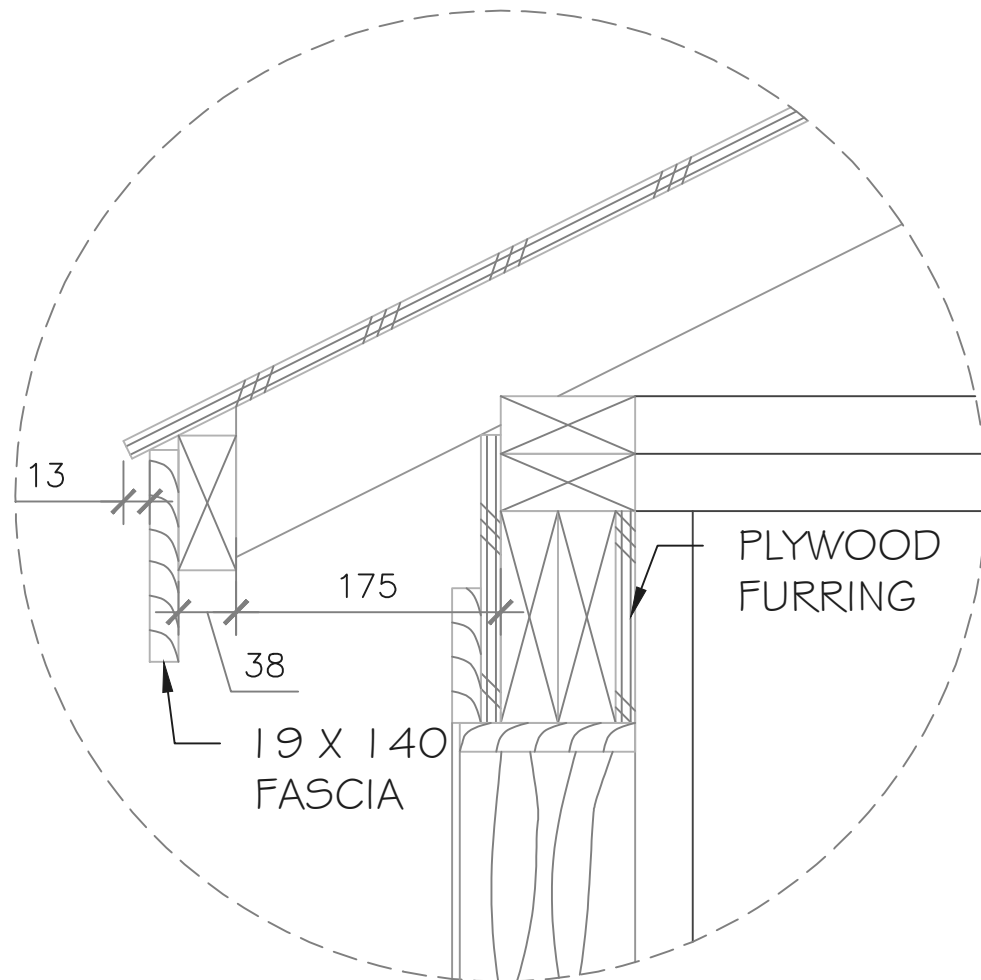
DRAWN BY: ALLISON VINK	SHEET #
DATE: 06/29/2015	A6
SCALE: not to scale	



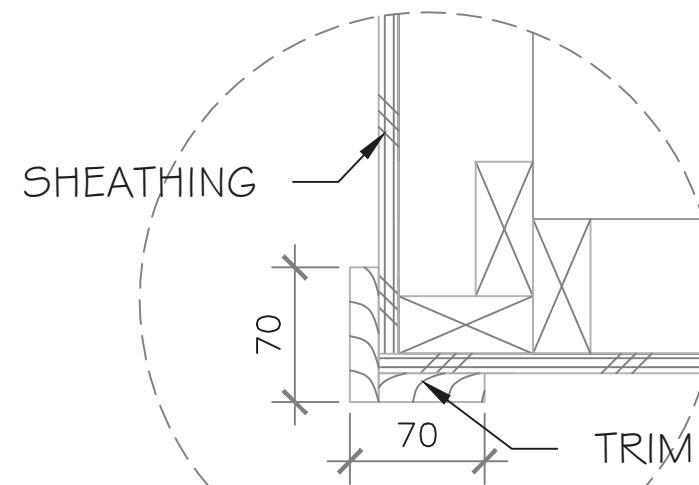
1 RIDGE DETAIL



3 TYP. EAVE DETAIL



2 EAVE DETAIL @ LINTEL



4 TYP. WALL @ CORNER

General Notes  
 FOR EDUCATIONAL  
 PURPOSE ONLY  
 1) FASCIA CORNERS  
 TO BE MITRED



No.	Revision/Issue	Date
9	REVISIONS	JUN,29
8	REVISIONS	JAN,14
7	REVISIONS	JAN,09
6	REVISIONS	DEC,18
5	REVISIONS	DEC,11
4	FINAL DRAFT	NOV,09
3	REVISIONS	OCT,14
2	REVISIONS	SEP,08
1	DRAFT	AUG,15

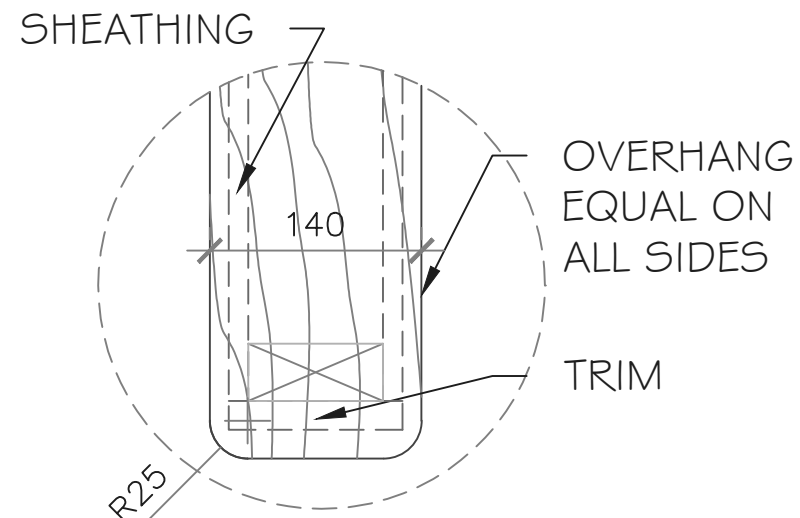
SKILLS  
 CANADA

NATIONAL  
 CARPENTRY  
 SECONDARY

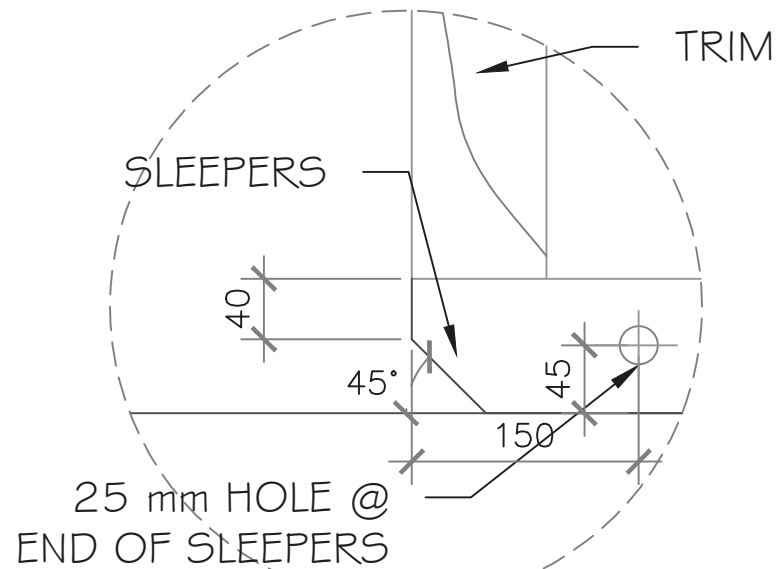
DETAILS

DRAWN BY: ALLISON VINK	SHEET #
DATE: 06/29/2015	A7
SCALE: not to scale	

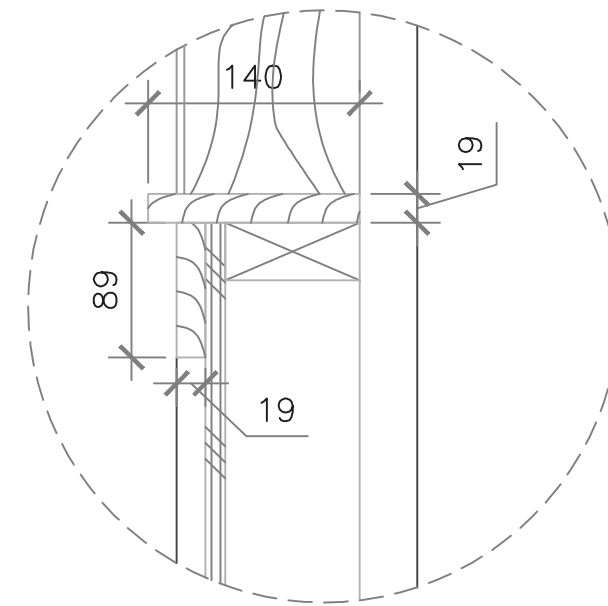




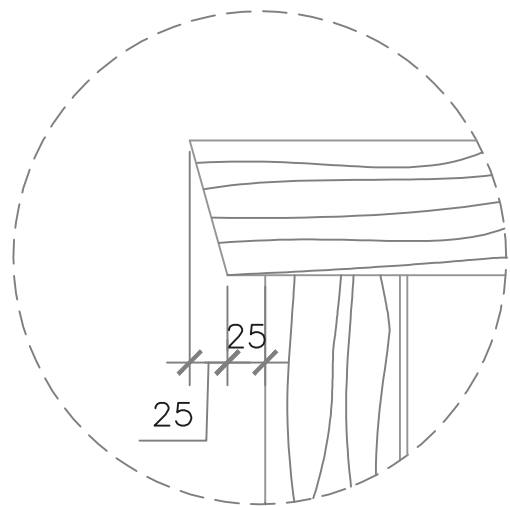
1  
A2  
WALL CAP DETAIL



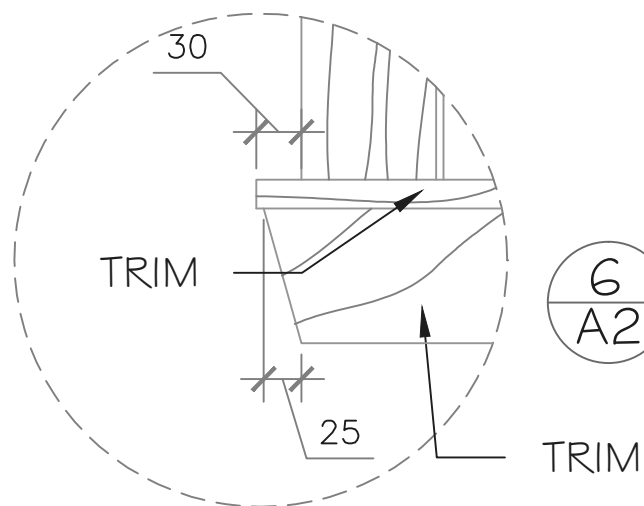
2  
A4  
SLEEPER ANGLE DETAIL



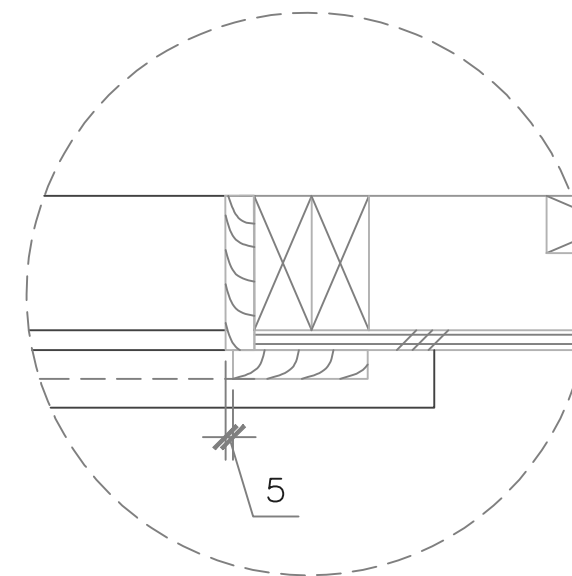
3  
A6  
WINDOW SILL DETAIL



4  
A4  
WINDOW HEAD TRIM DETAIL



5  
A4  
WINDOW SILL TRIM DETAIL



6  
A2  
WINDOW SILL PLAN DETAIL

General Notes  
FOR EDUCATIONAL  
PURPOSE ONLY



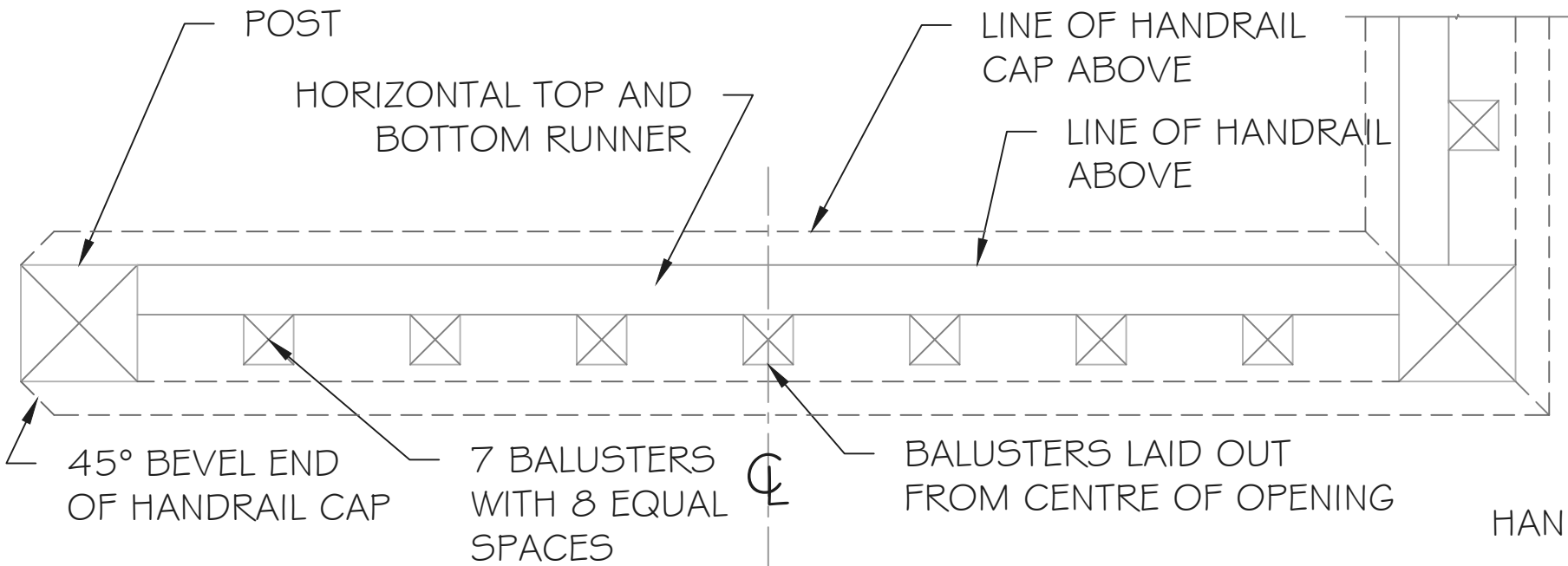
No.	Revision/Issue	Date
9	REVISIONS	JUN,29
8	REVISIONS	JAN,14
7	REVISIONS	JAN,09
6	REVISIONS	DEC,18
5	REVISIONS	DEC,11
4	FINAL DRAFT	NOV,09
3	REVISIONS	OCT,14
2	REVISIONS	SEP,08
1	DRAFT	AUG,15

SKILLS  
CANADA

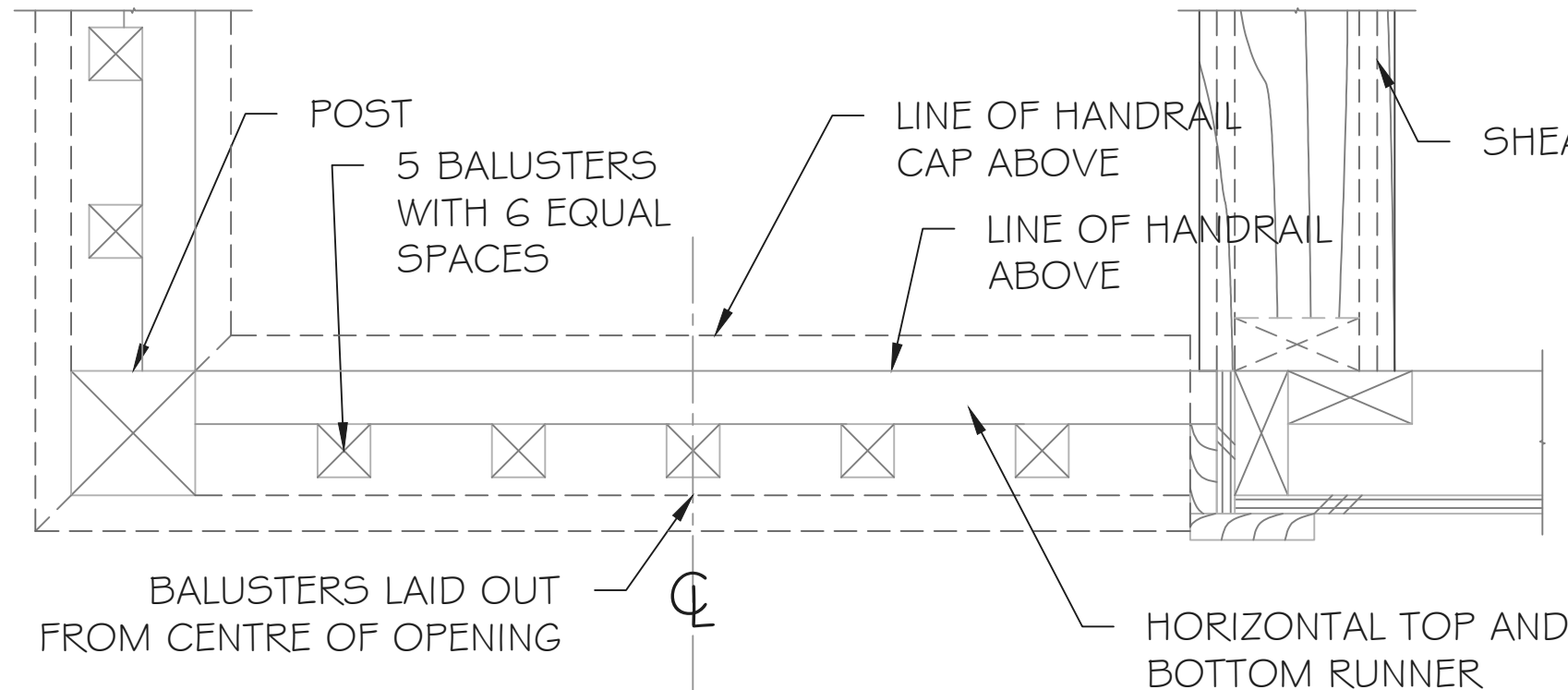
NATIONAL  
CARPENTRY  
SECONDARY

DETAILS

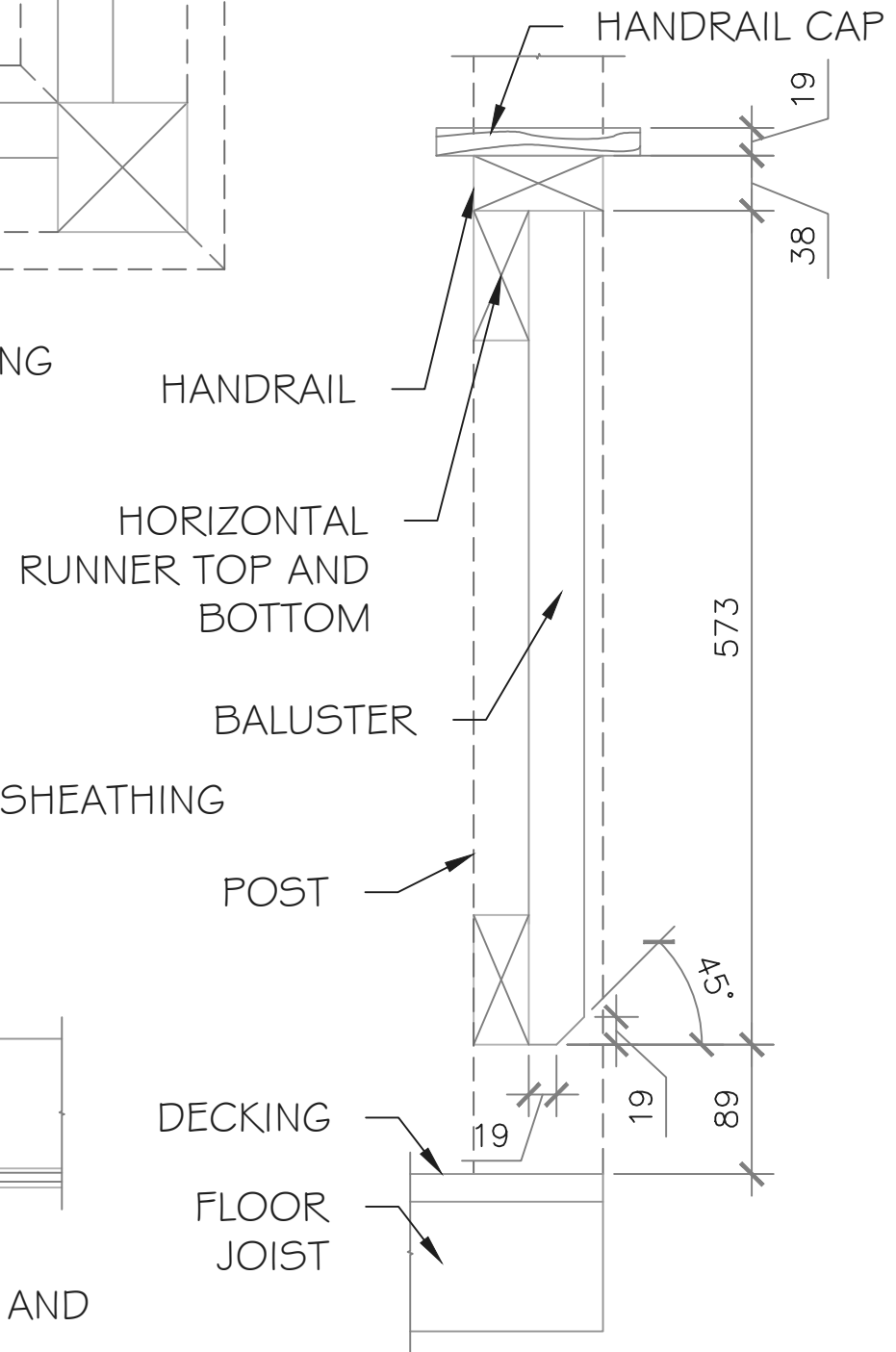
DRAWN BY: ALLISON VINK	SHEET #
DATE: 06/29/2015	A8
SCALE: not to scale	



1 FRONT RAILING PLAN  
A4



2 SIDE RAILING PLAN  
A5



3 BALUSTER SECTION  
A4

General Notes  
FOR EDUCATIONAL  
PURPOSE ONLY



No.	Revision/Issue	Date
9	REVISIONS	JUN,29
8	REVISIONS	JAN,14
7	REVISIONS	JAN,09
6	REVISIONS	DEC,18
5	REVISIONS	DEC,11
4	FINAL DRAFT	NOV,09
3	REVISIONS	OCT,14
2	REVISIONS	SEP,08
1	DRAFT	AUG,15

SKILLS  
CANADA

NATIONAL  
CARPENTRY  
SECONDARY

DETAILS

DRAWN BY: not to scale	SHEET #
DATE: 06/29/2015	A9
SCALE: AS NOTED	

General Notes  
FOR EDUCATIONAL  
PURPOSE ONLY



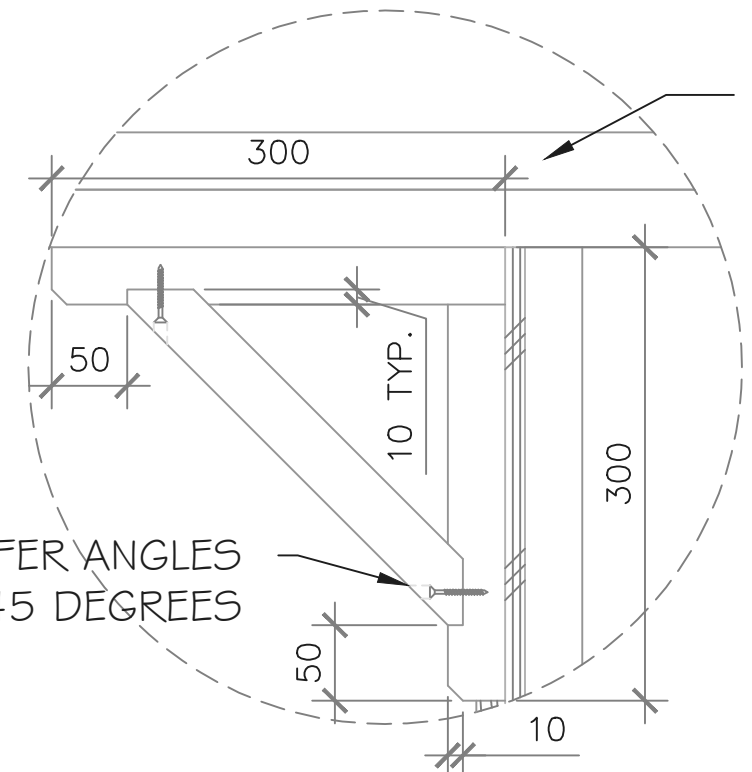
No.	Revision/Issue	Date
9	REVISIONS	JUN,29
8	REVISIONS	JAN,14
7	REVISIONS	JAN,09
6	REVISIONS	DEC,18
5	REVISIONS	DEC,11
4	FINAL DRAFT	NOV,09
3	REVISIONS	OCT,14
2	REVISIONS	SEP,08
1	DRAFT	AUG,15

SKILLS  
CANADA

NATIONAL  
CARPENTRY  
SECONDARY

DETAILS

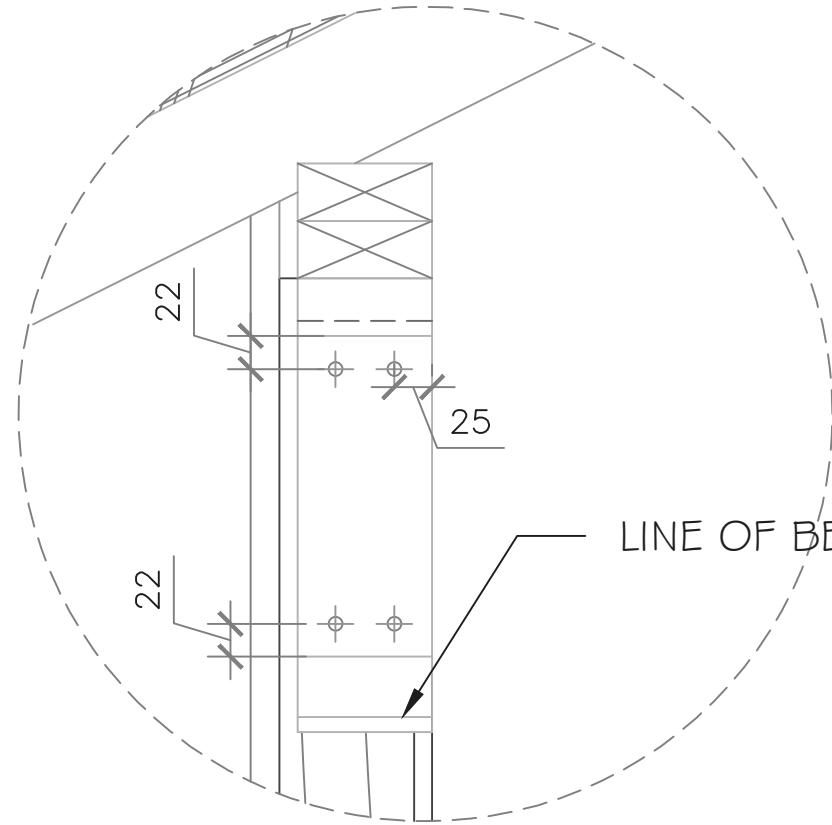
DRAWN BY: ALLISON VINK	SHEET #
DATE: 06/29/2015	A10
SCALE: not to scale	



TOP PLATES TO EXTEND  
BEYOND WALL  
BEARING ON POST

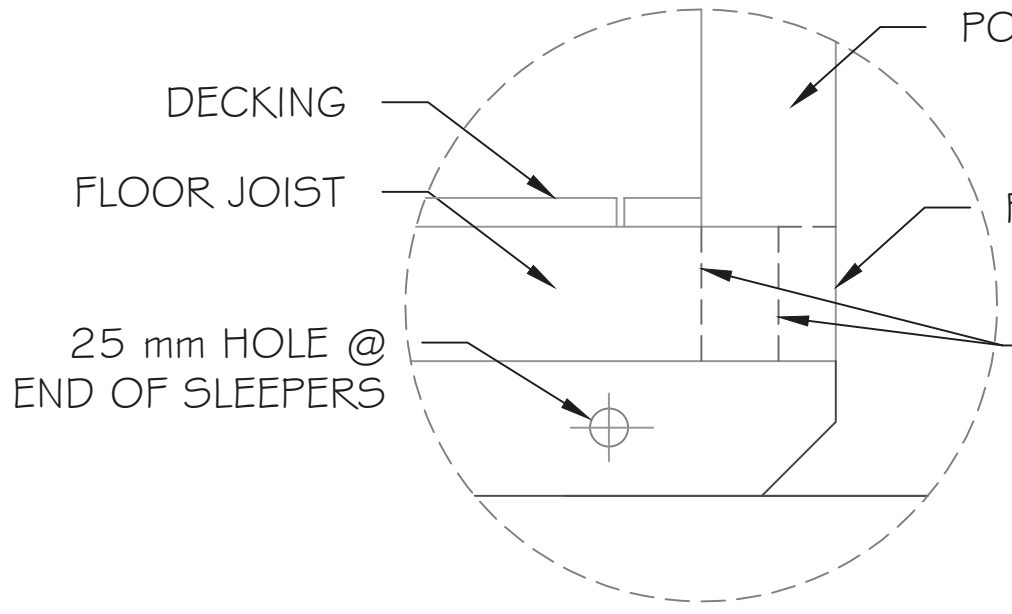
CHAMFER ANGLES  
AT 45 DEGREES

1 ARCHITECTURAL BRACKET DETAIL-A  
A5



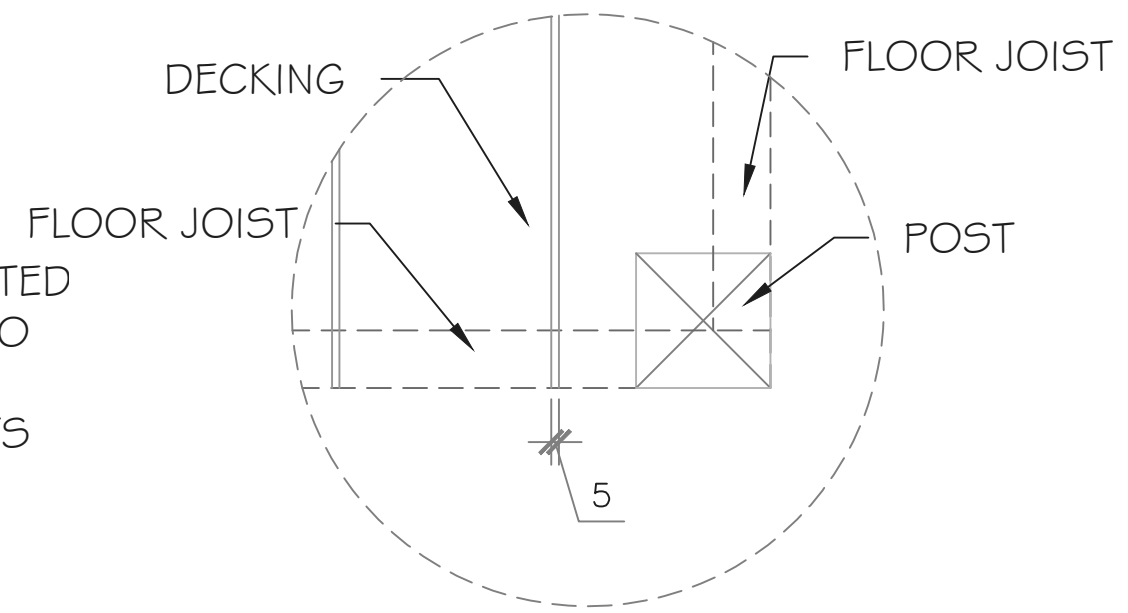
LINE OF BEVEL

2 ARCHITECTURAL BRACKET DETAIL-B  
A5



POST RABBETED  
TO EXTEND TO  
BOTTOM OF  
FLOOR JOISTS

3 FLOOR JOISTS AT FRONT POSTS  
A4



4 DECKING AT FLOOR JOISTS  
A3